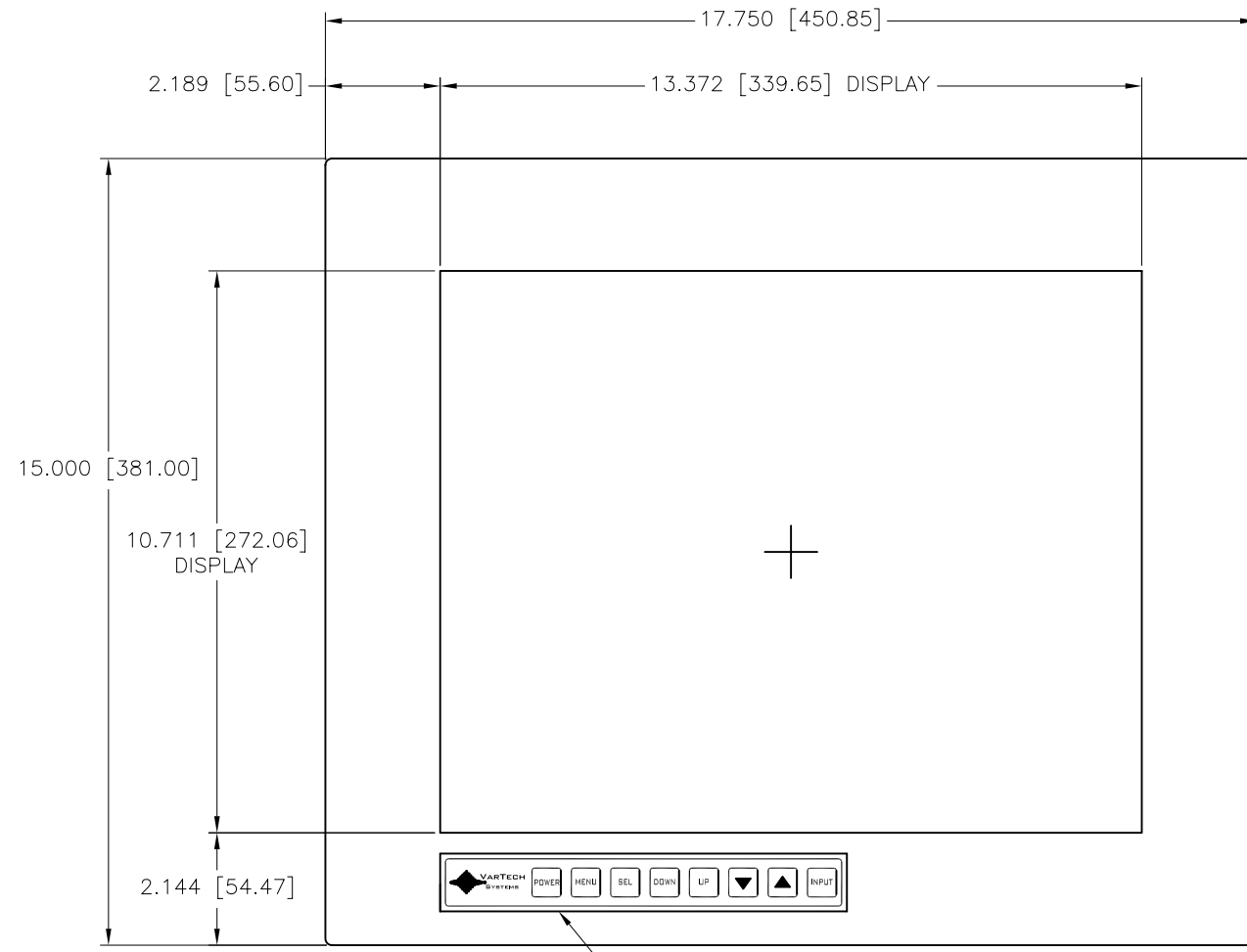
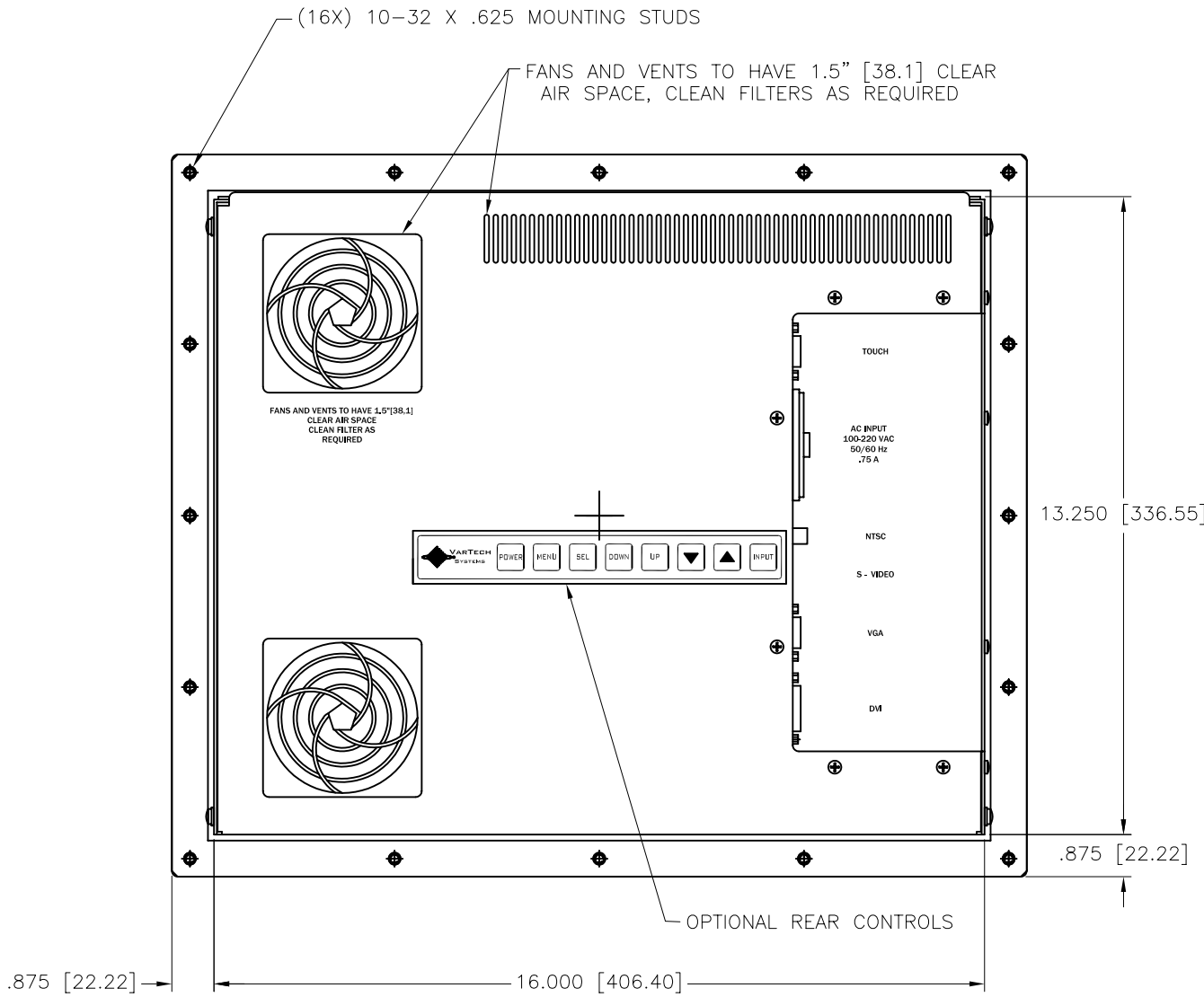


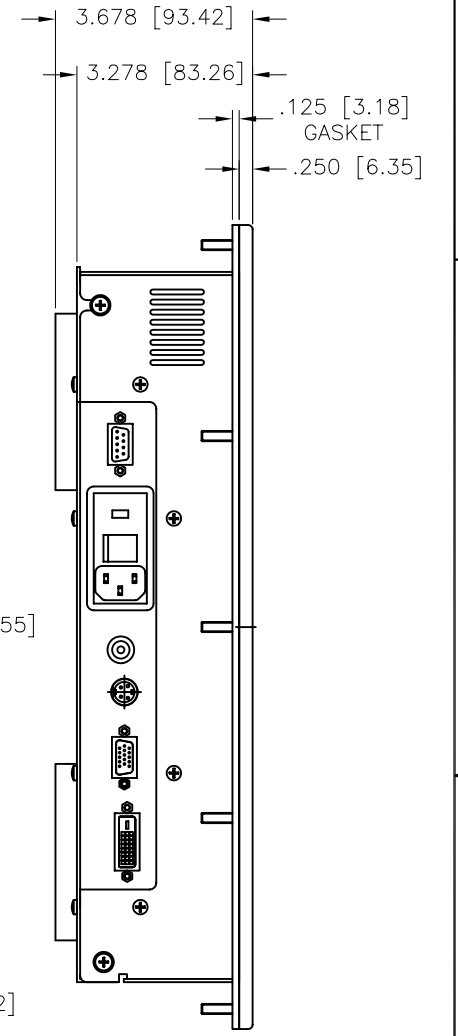
| CHANGE HISTORY | | |
|----------------|---------------------|-----------------------|
| FILE INDEX | DESCRIPTION | APPROVAL INITIAL DATE |
| 1 | PRELIMINARY RELEASE | |



FRONT VIEW



REAR VIEW



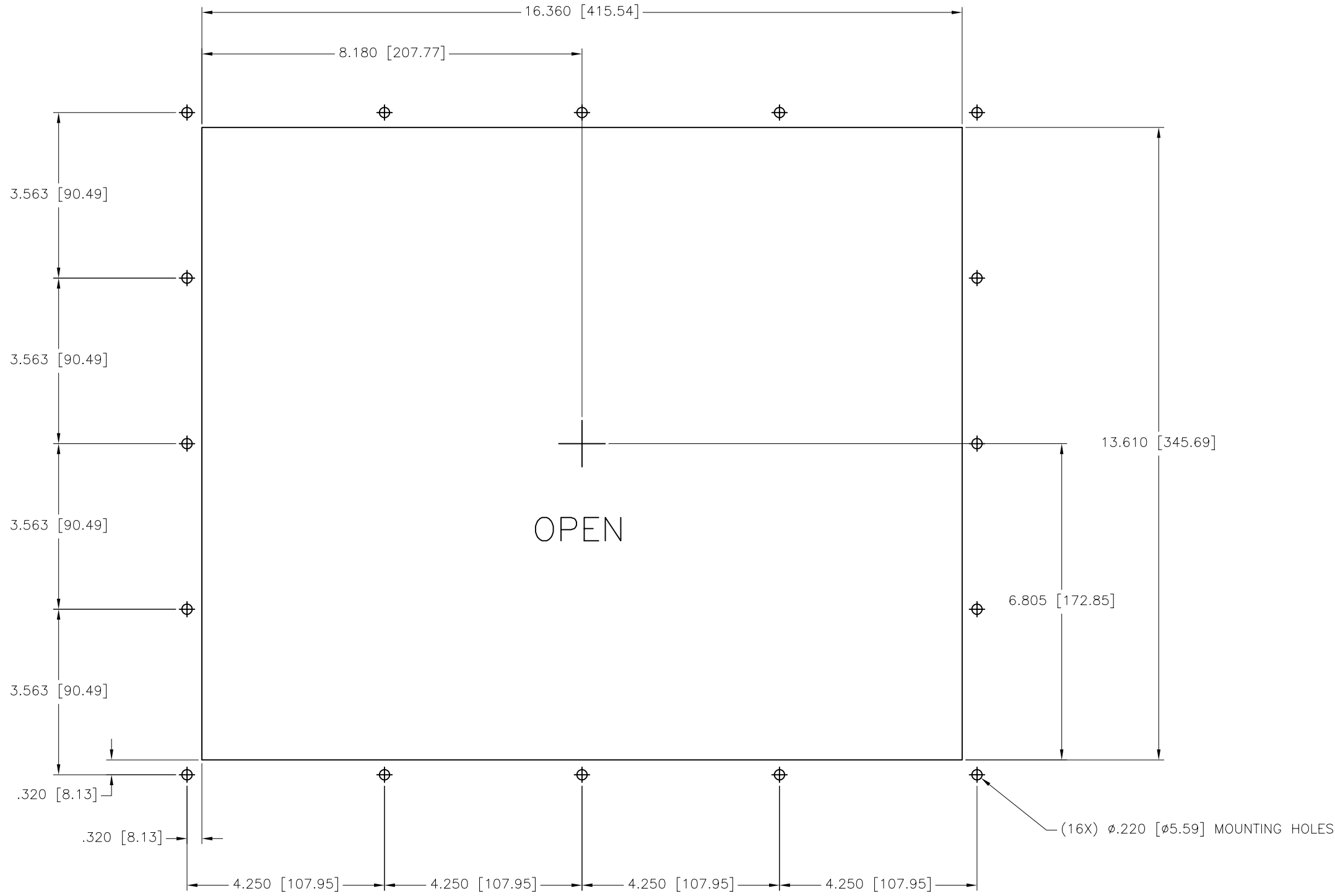
CONNECTOR VIEW

- NOTES:
1. ALL DIMENSIONS ARE NOMINAL AND FOR REFERENCE ONLY. THIS DRAWING SHOULD NOT BE USED FOR DESIGN PURPOSES.
 2. WEIGHT OF UNIT IS 22 LBS.
 3. SHIPPING WEIGHT OF UNIT IS 27 LBS.

| ITEM | QTY | MFR. PT.NO. | DESCRIPTION | SYM/NOTE |
|-----------------------------------------------------------------------------------------------------------------------------------------------------------------------------|-----|-------------|---------------|----------------------------------------------------------------|
| LIST OF MATERIALS | | | | |
| UNLESS OTHERWISE SPECIFIED DIMENSIONS ARE IN INCHES AND APPLY BEFORE FINISH SURFACE ROUGHNESS .125/ TOLERANCE ON FRACTIONS DECIMALS ANGLES ± 1/64 ±.XX=.02 ± 1/2 | | DRAWN DMS | DATE 12/19/05 | VARTECH SYSTEMS OUTLINE DRAWING VT170PHBU |
| | | CHECKED | | |
| | | DRAFTING | | |
| | | ENGINEER | | |
| | | MANUF | | |
| | | APPROVED | | SIZE D |
| | | QA | | DWG NO. 601-0203 |
| VT170PHBU USED ON APPLICATION | | | | REV 1 |
| | | | SCALE1 : 1.75 | SHEET 1 OF 2 |

8 7 6 5 4 3 2 1

| CHANGE HISTORY | | |
|----------------|---------------------|-----------------------|
| FILE INDEX | DESCRIPTION | APPROVAL INITIAL DATE |
| 1 | PRELIMINARY RELEASE | |



OPEN

PANEL CUTOUT

| ITEM | QTY | MFR. PT.NO. | DESCRIPTION | SYM/NOTE |
|------------------------------------------------------------------------------------------------------------------|--------|-------------|----------------|------------------------------------------------------------|
| LIST OF MATERIALS | | | | |
| UNLESS OTHERWISE SPECIFIED DIMENSIONS ARE IN INCHES AND APPLY BEFORE FINISH SURFACE ROUGHNESS .125/ TOLERANCE ON | | DRAWN | DATE | VARTECH SYSTEMS OUTLINE DRAWING VT170PHBU |
| FRACTIONS DECIMALS ANGLES | | CHECKED | | |
| ± 1/64 ±.XX=.02 ± 1/2 | | DRAFTING | | |
| MATERIAL | | ENGINEER | | |
| VT170PHBU | | MANUF | | SIZE |
| USED ON | FINISH | APPROVED | | DWG NO. |
| APPLICATION | | QA | | 601-0203 |
| | | | SCALE 1 : 1.25 | REV 1 |
| | | | SHEET 2 OF 2 | |

8 7 6 5 4 3 2 1

FILE NUMBER: 6010203B-R1