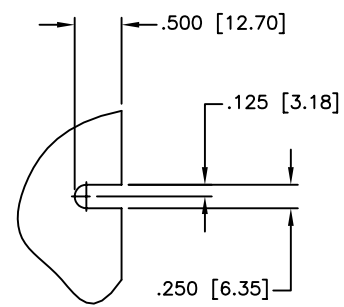
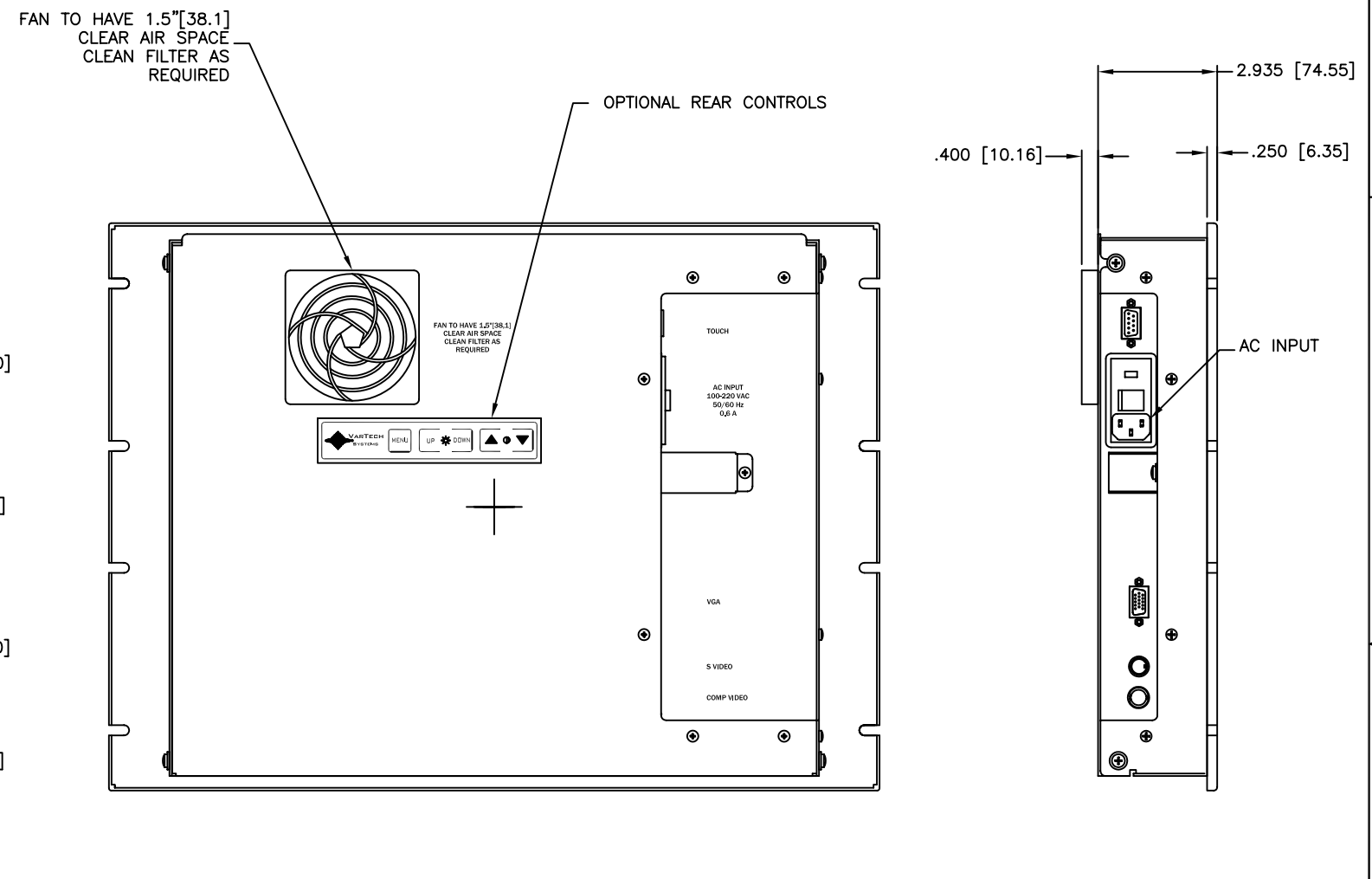
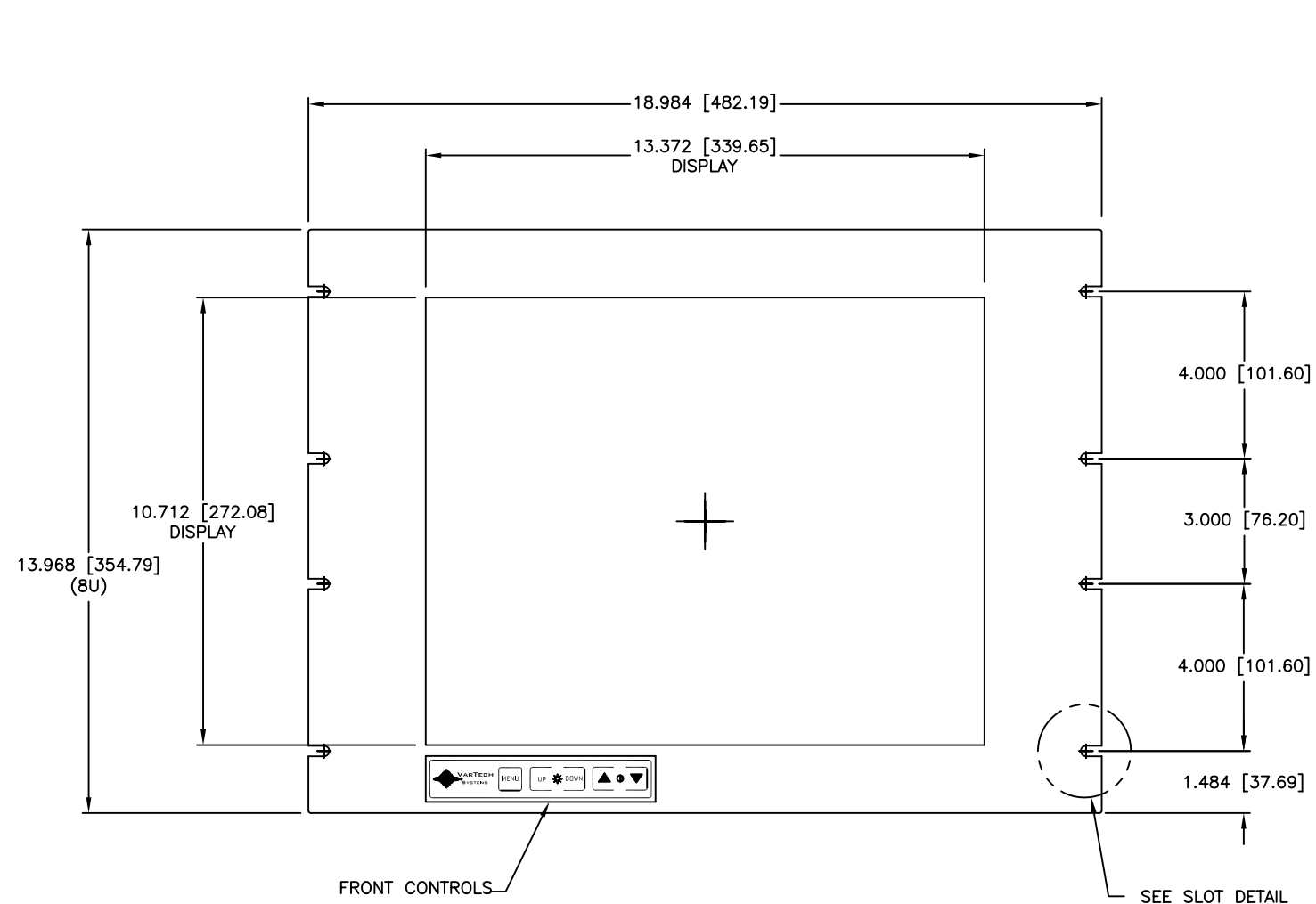


CHANGE HISTORY		
FILE INDEX	DESCRIPTION	APPROVAL INITIAL DATE
1	PRELIMINARY RELEASE	



NOTES:

1. ALL DIMENSIONS ARE NOMINAL AND FOR REFERENCE ONLY. THIS DRAWING SHOULD NOT BE USED FOR DESIGN PURPOSES.
2. WEIGHT OF UNIT IS XXX LBS.
3. SHIPPING WEIGHT OF UNIT IS XXX LBS.

ITEM	QTY	MFR. PT.NO.	DESCRIPTION	SYM/NOTE
LIST OF MATERIALS				
UNLESS OTHERWISE SPECIFIED DIMENSIONS ARE IN INCHES AND APPLY BEFORE FINISH SURFACE ROUGHNESS .125 TOLERANCE ON FRACTIONS DECIMALS ANGLES		DRAWN	DATE	 VARTECH SYSTEMS OUTLINE DRAWING VT170R1 (8U)
		CHECKED	04/05/05	
		DRAFTING		
		ENGINEER		
MATERIAL		MANUF		SIZE
FINISH		APPROVED		DWG NO.
APPLICATION		QA		REV
VT170R1				D
USED ON				601-0168
				1
SCALE 1 : 2			SHEET 1 OF 1	