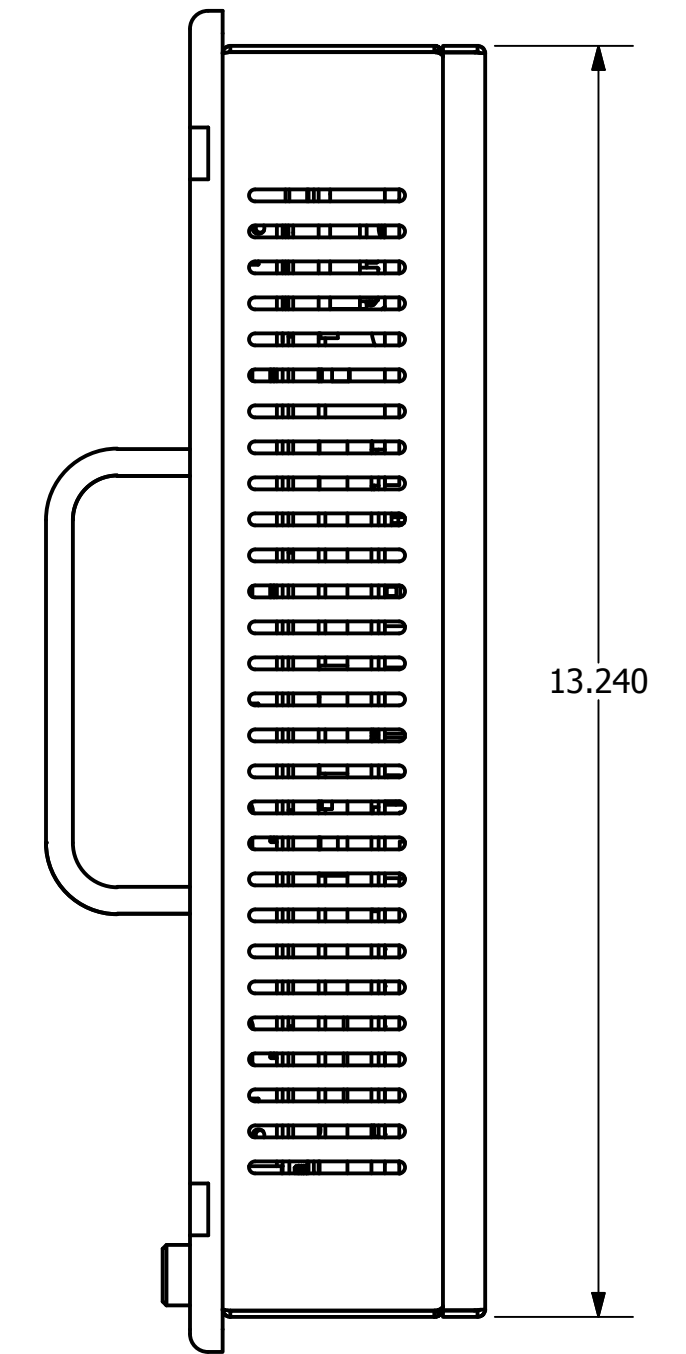
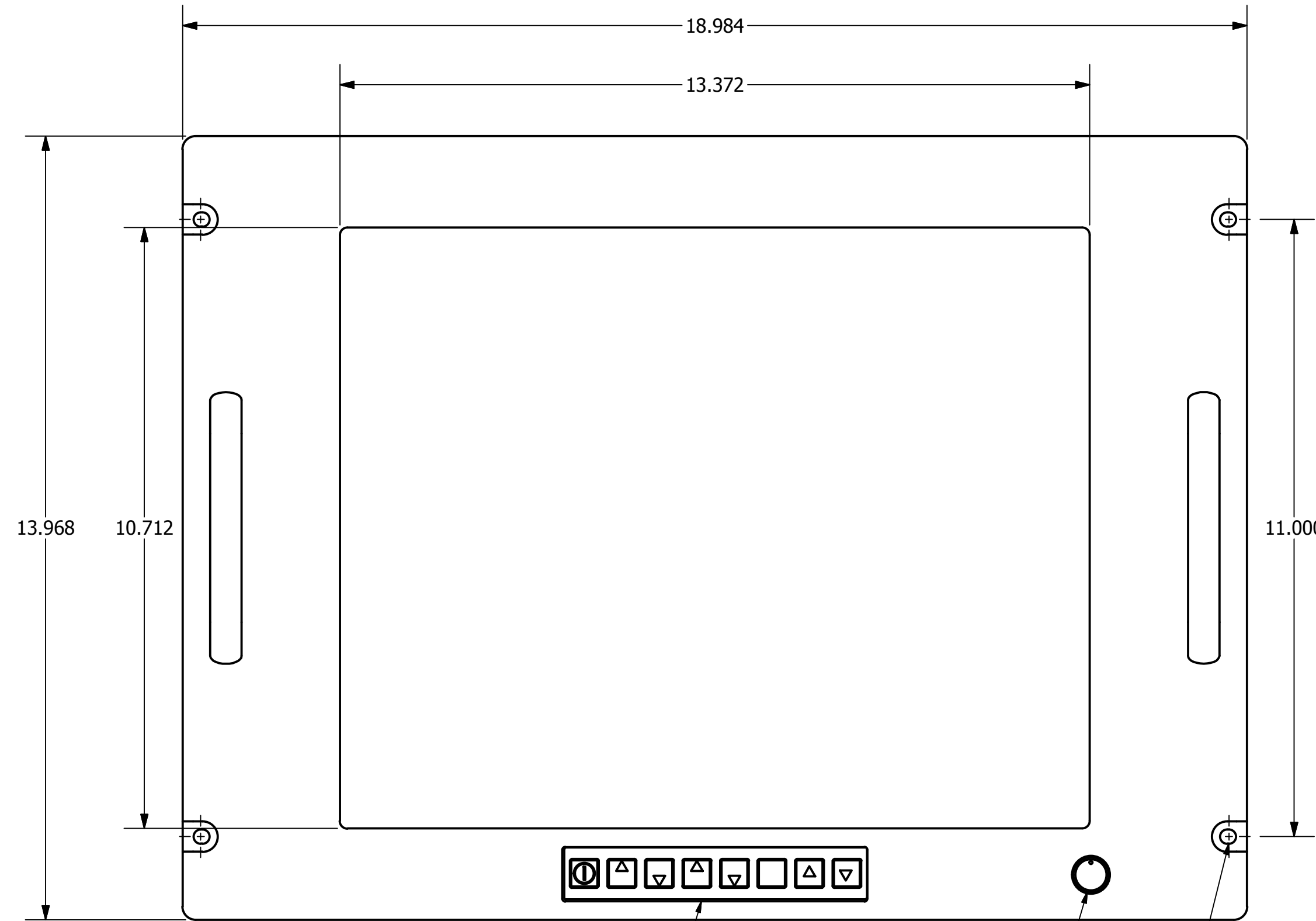
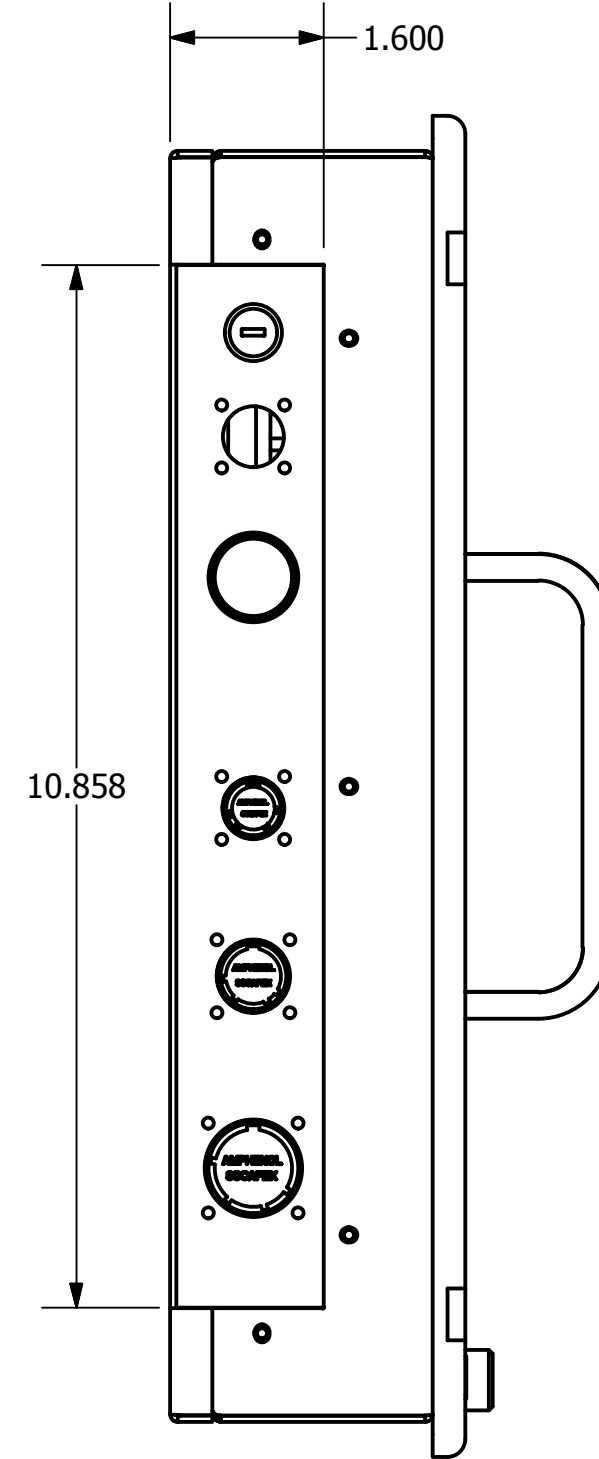
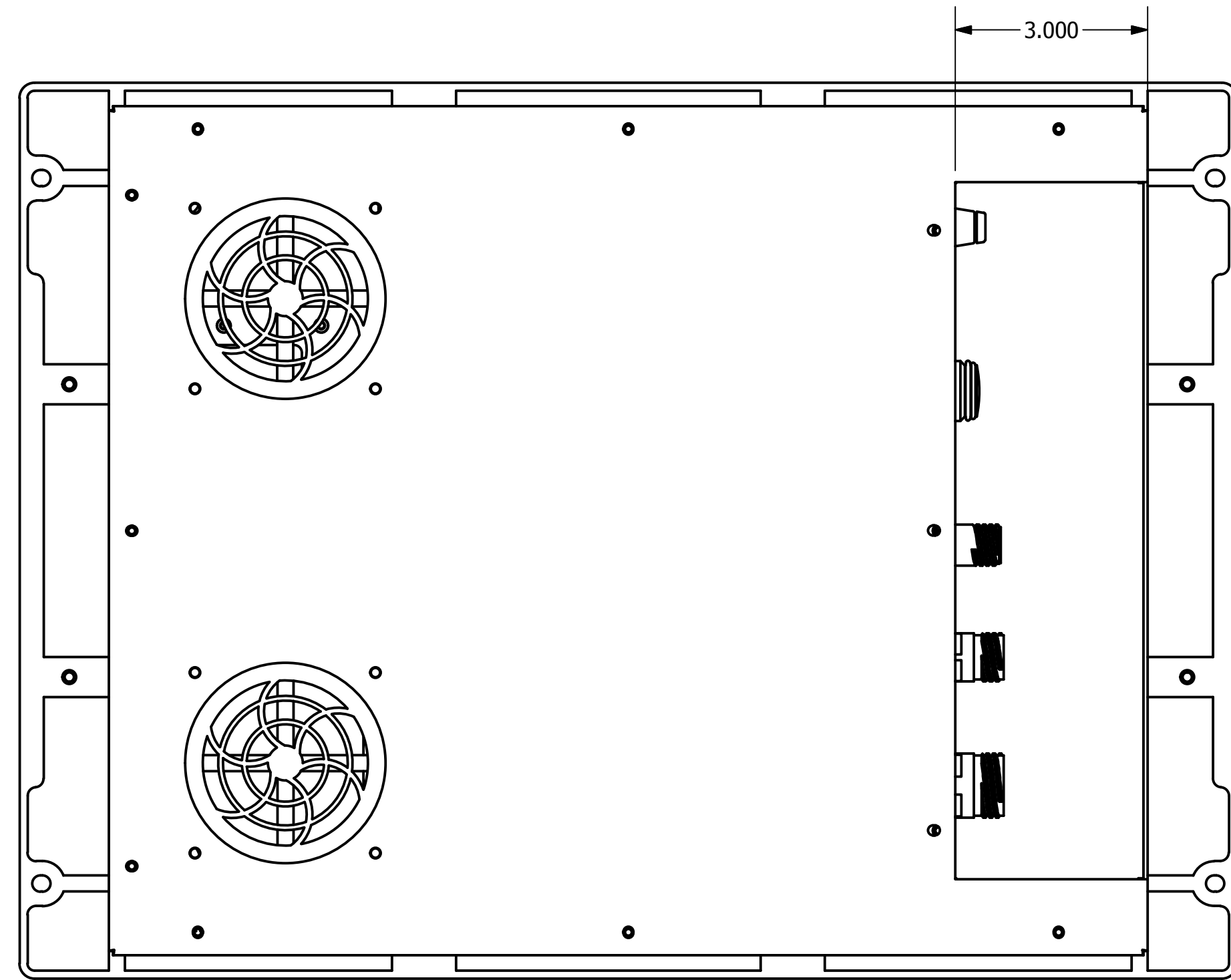


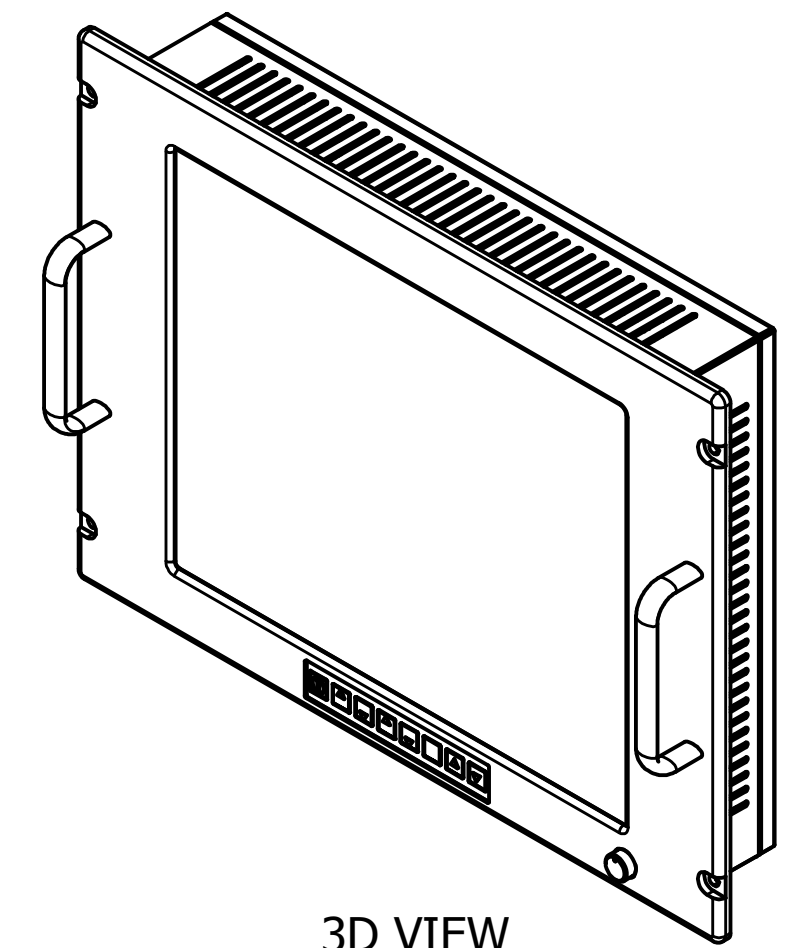
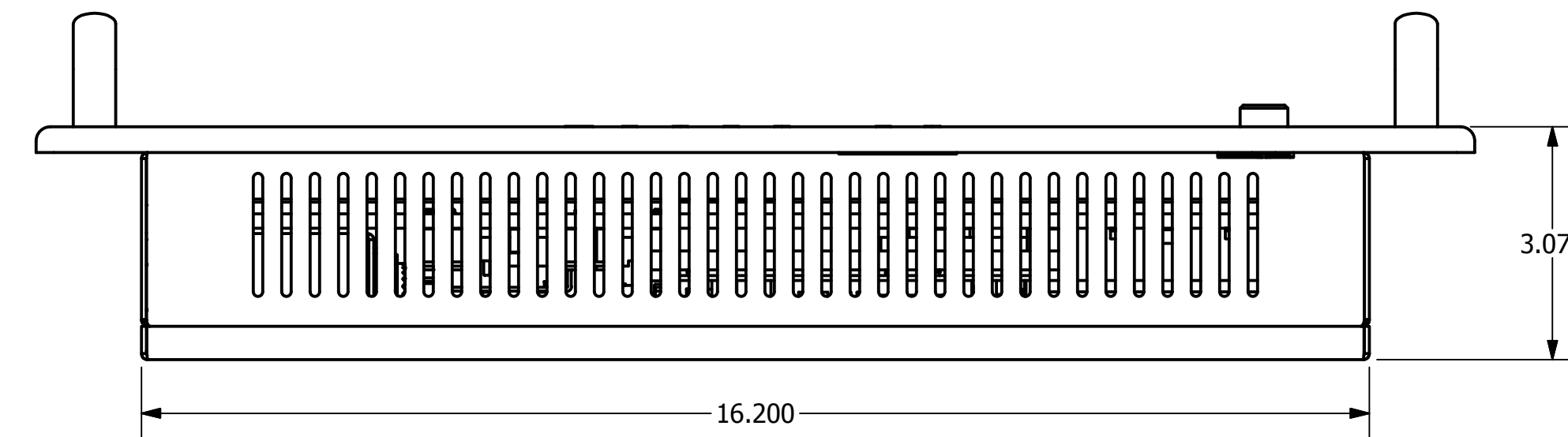
REVISION HISTORY			
REV	DESCRIPTION	APPROVED	DATE
1	INITIAL RELEASE	JAC	8/31/2011



MEMBRANE CONTROLS

DIMMER

4X .25 X .28 SLOT



3D VIEW

DRAWN	ACARLTON	8/31/2011	VARTECH SYSTEMS			
CHECKED						
QA			TITLE VT170RX			
MFG						
APPROVED						
USED ON	MATERIAL:		SIZE D	TOLERANCES: .XX = .01 .XXX = .005	DWG NO VT170RX2-08K	REV 1
APPLICATION			FINISH:		SHEET 1 OF 1	