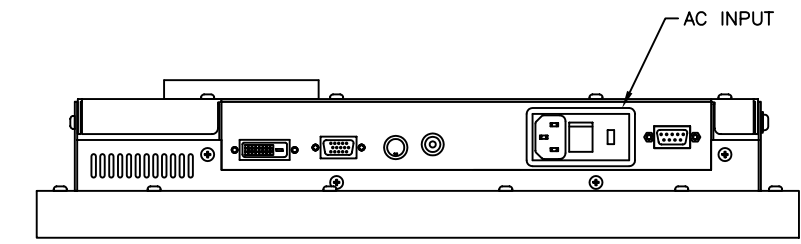
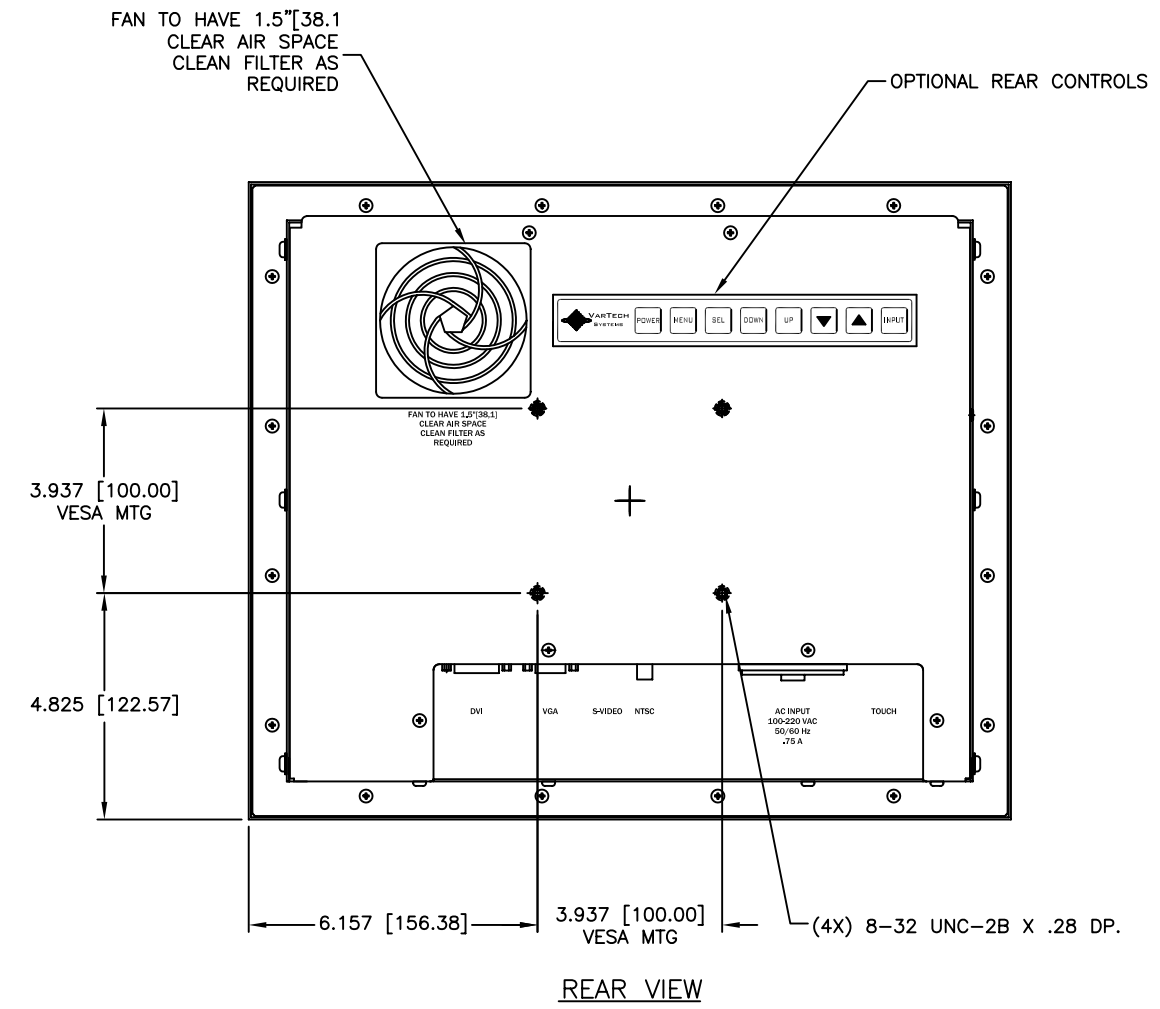
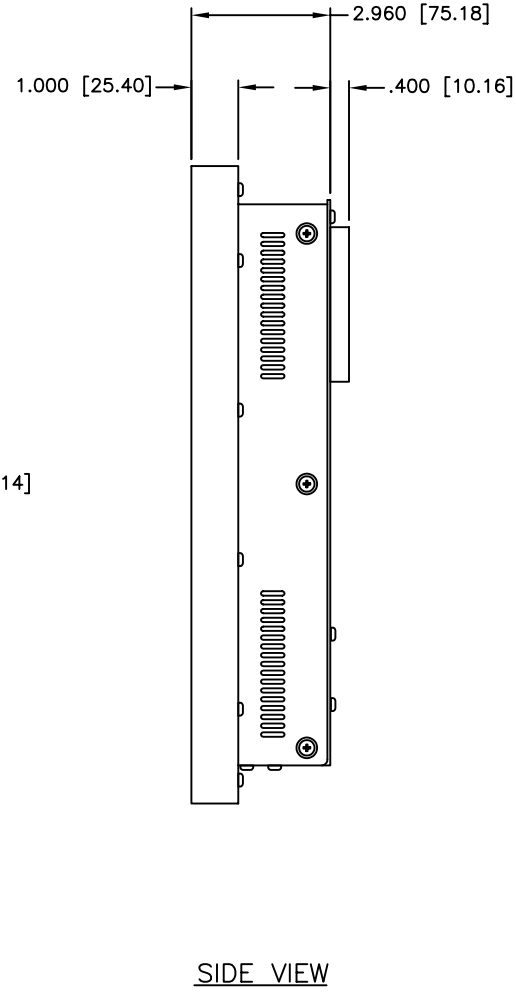
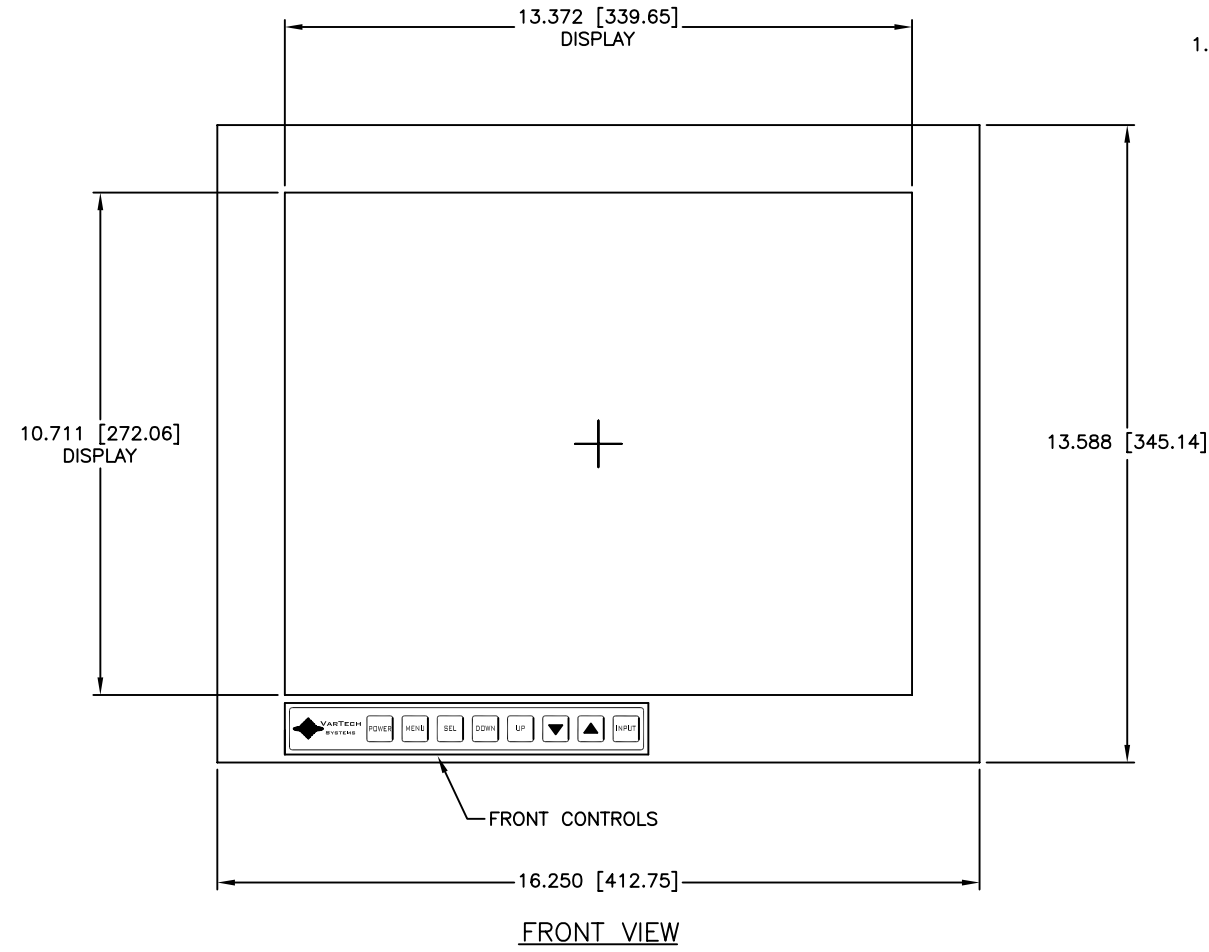


CHANGE HISTORY		
FILE INDEX	DESCRIPTION	APPROVAL INITIAL DATE
1	PRELIMINARY RELEASE	



- NOTES:**
1. ALL DIMENSIONS ARE NOMINAL AND FOR REFERENCE ONLY. THIS DRAWING SHOULD NOT BE USED FOR DESIGN PURPOSES.
  2. WEIGHT OF UNIT IS XX LBS.
  3. SHIPPING WEIGHT OF UNIT IS XX LBS.

ITEM	QTY	MFR. PT.NO.	DESCRIPTION	SYM/NOTE
LIST OF MATERIALS				
UNLESS OTHERWISE SPECIFIED DIMENSIONS ARE IN INCHES AND APPLY BEFORE FINISH SURFACE ROUGHNESS .125/ TOLERANCE ON FRACTIONS   DECIMALS   ANGLES		DRAWN DATE JHB 04/26/05		 <b>VARTECH SYSTEMS</b> OUTLINE DRAWING VT170W
± 1/64   ±.XX=.02   ± 1/2		CHECKED		
MATERIAL		DRAFTING		
FINISH		ENGINEER		
VT170W		MANUF		SIZE
USED ON		APPROVED		DWG NO.
APPLICATION		QA		601-0170
				REV
				1
SCALE 1 : 2			SHEET 1 OF 1	