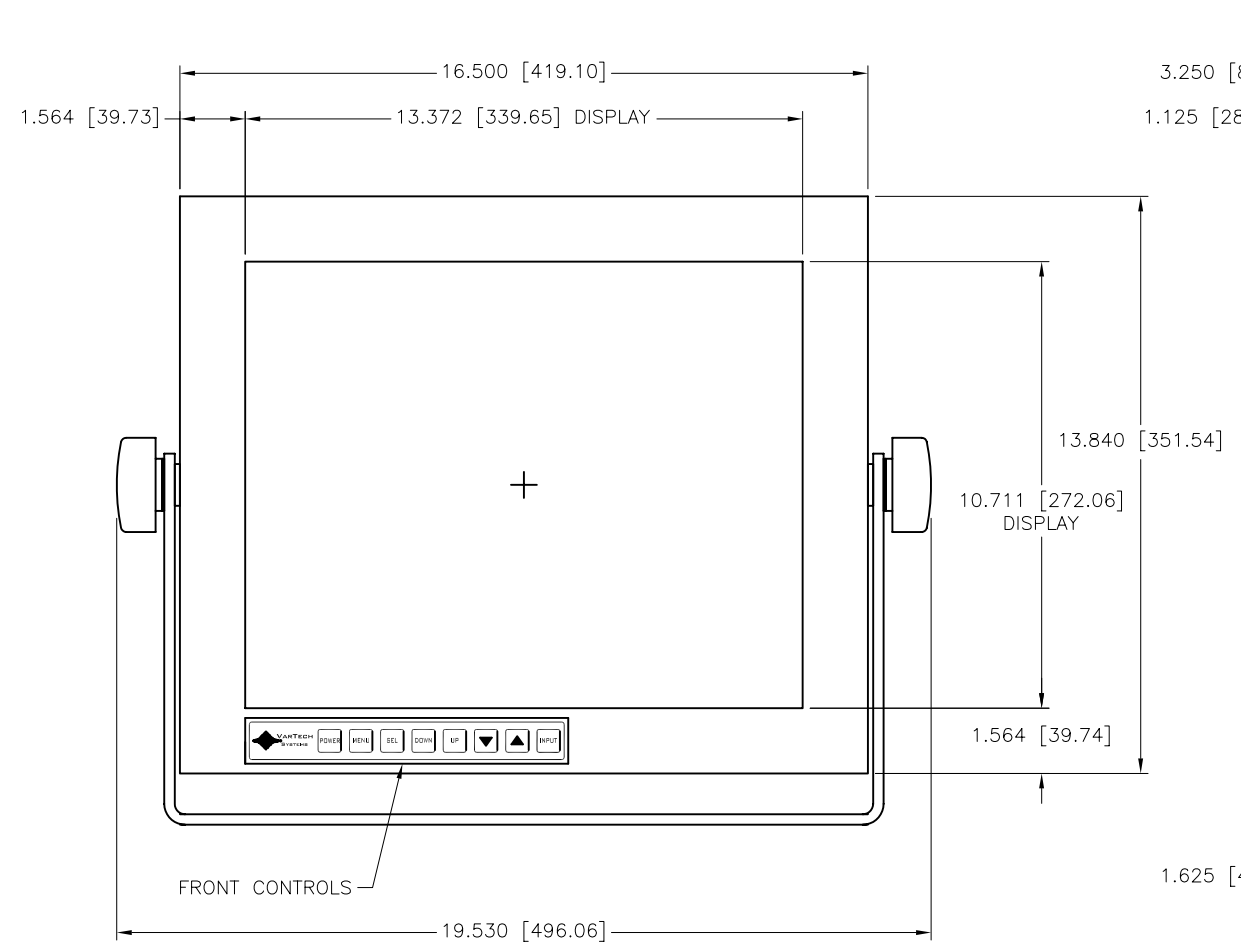
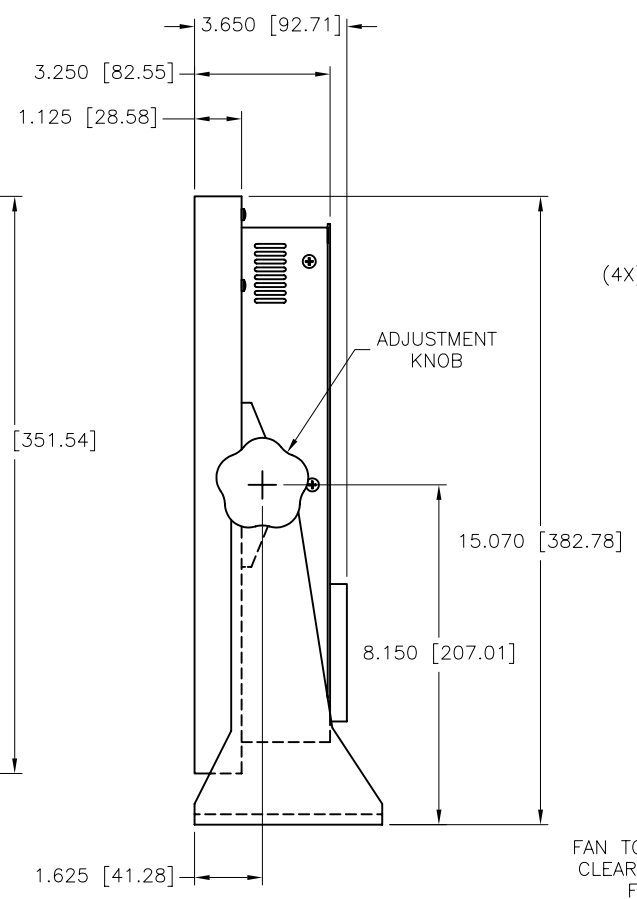


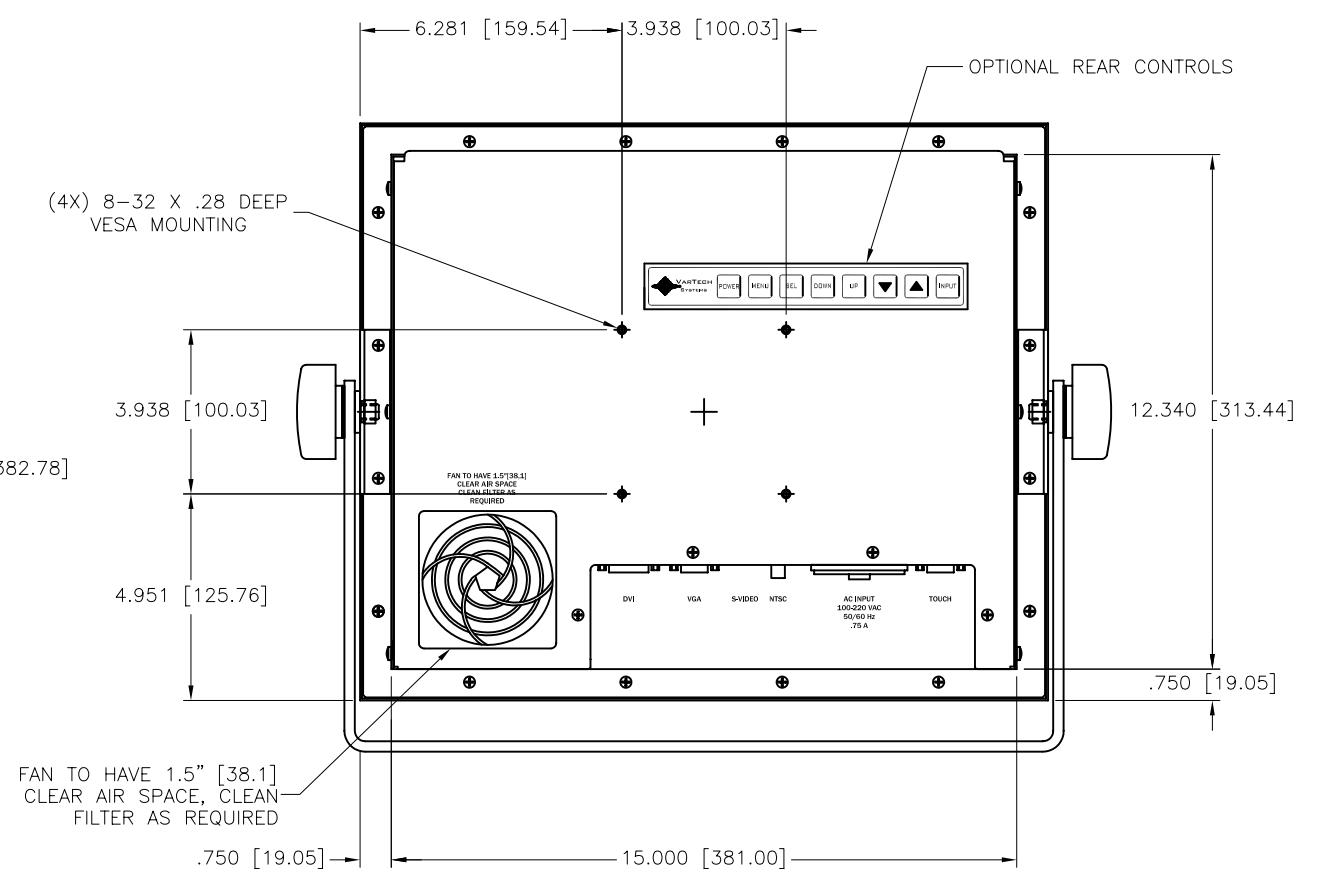
CHANGE HISTORY		
FILE INDEX	DESCRIPTION	APPROVAL INITIAL DATE
1	PRELIMINARY RELEASE	



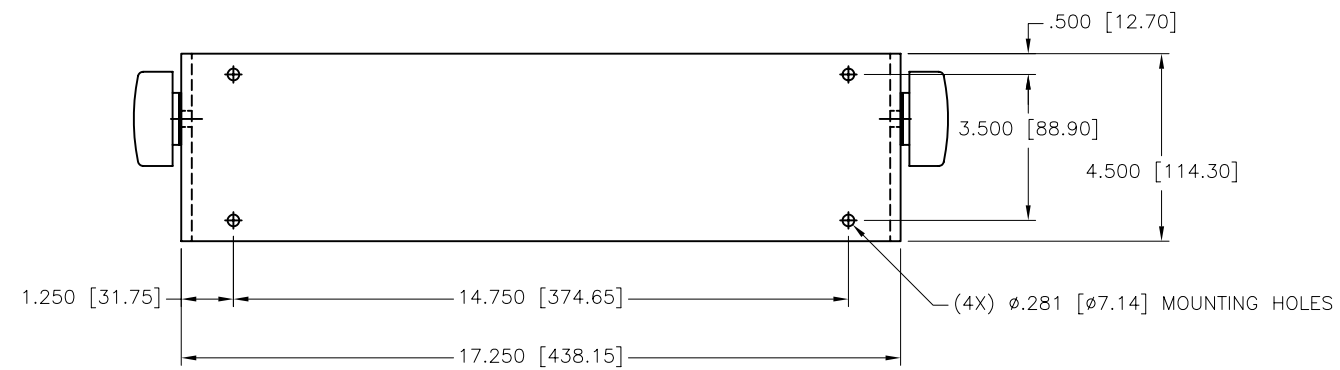
FRONT VIEW



SIDE VIEW



REAR VIEW



CONNECTOR VIEW  
SHOWN WITHOUT YOKE

- NOTES:
1. ALL DIMENSIONS ARE NOMINAL AND FOR REFERENCE ONLY. THIS DRAWING SHOULD NOT BE USED FOR DESIGN PURPOSES.
  2. WEIGHT OF UNIT IS 22 LBS.
  3. SHIPPING WEIGHT OF UNIT IS 27 LBS.

ITEM	QTY	MFR. PT.NO.	DESCRIPTION	SYM/NOTE
LIST OF MATERIALS				
UNLESS OTHERWISE SPECIFIED DIMENSIONS ARE IN INCHES AND APPLY BEFORE FINISH SURFACE ROUGHNESS .125/ TOLERANCE ON FRACTIONS   DECIMALS   ANGLES $\pm \frac{1}{64}$   $\pm .XX=.02$   $\pm \frac{1}{2}$ $\pm .XXX=.005$		DRAWN DMS	DATE 12/15/05	 <b>VARTECH SYSTEMS</b>  OUTLINE DRAWING VT170WYHBU
		CHECKED		
		DRAFTING		
		ENGINEER		
MATERIAL		MANUF		
VT170WYHBU		APPROVED		
USED ON		QA		
APPLICATION				
		SIZE D	DWG NO. 601-0201	REV 1
		SCALE 1 : 2.25	SHEET 1 OF 1	