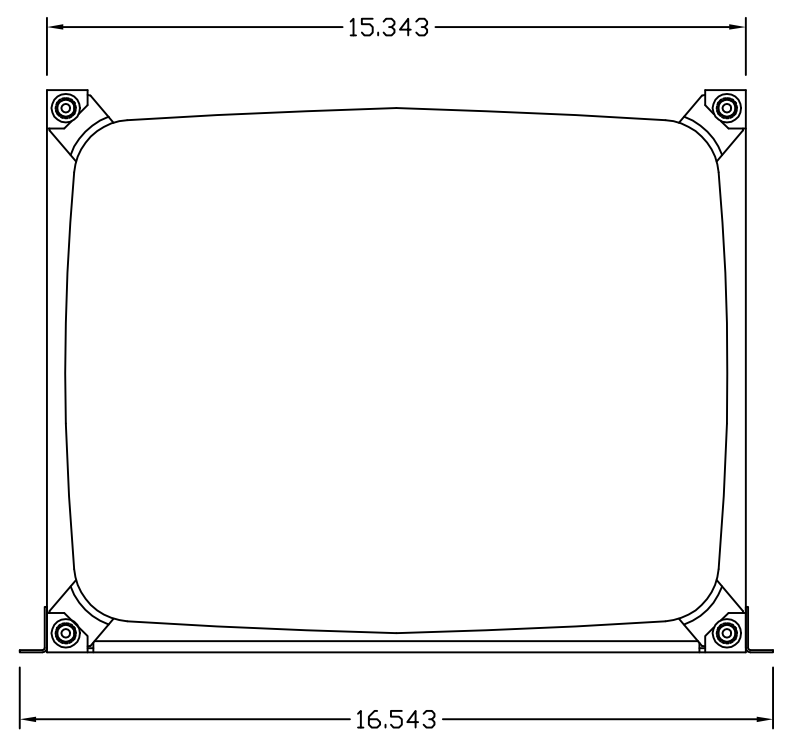
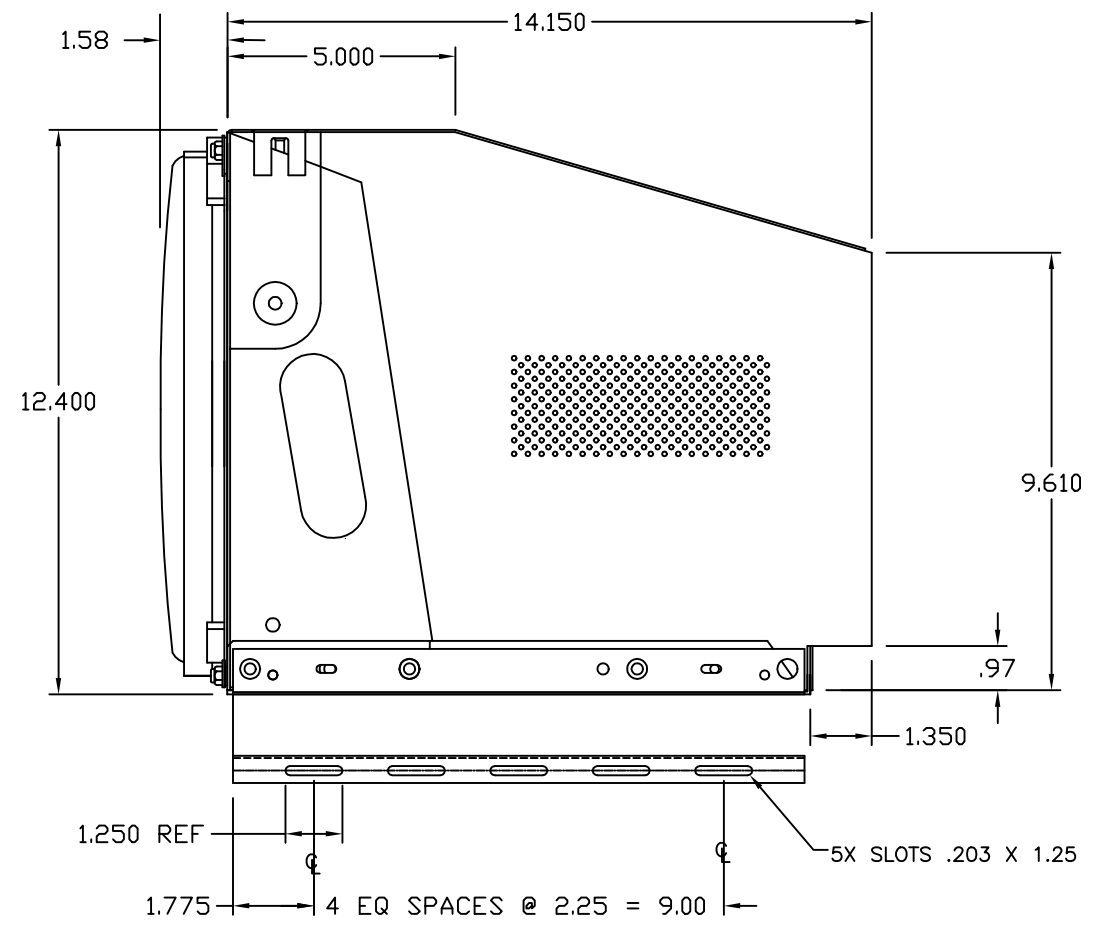


8 7 6 5 4 3 2 1

CHANGE HISTORY					
	DESCRIPTION	INCORPORATED INITIAL	DATE	APPROVAL INITIAL	DATE
1	PRELIMINARY RELEASE				

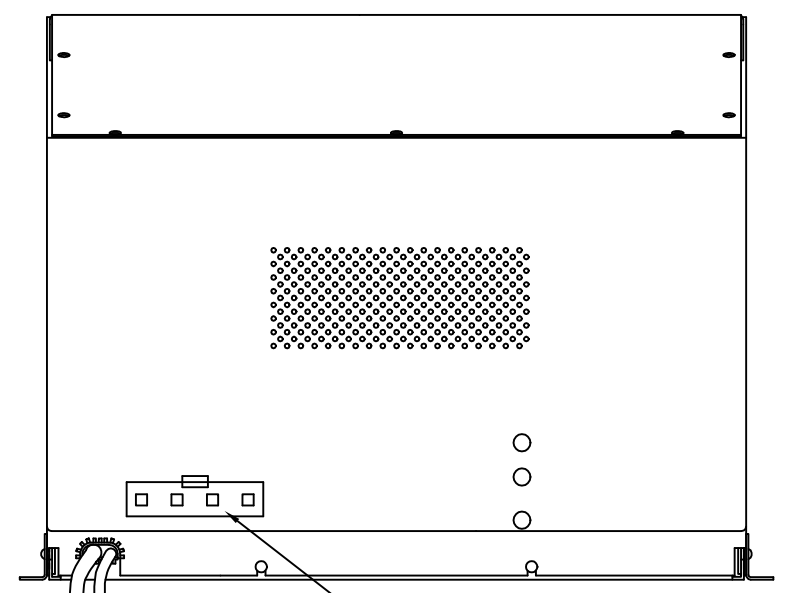


FRONT VIEW



BOTTOM OF BRACKET

SIDE VIEW



REAR VIEW

VIDEO CABLE

POWER CORD

REAR CONTROLS
(MODE, SELECT, DOWN, UP)

- NOTES:
- 1- ALL DIMENSIONS ARE NOMINAL AND FOR REFERENCE ONLY. THIS DRAWING SHOULD NOT BE USED FOR DESIGN PURPOSES.
 - 2- UNIT WEIGHT: APPROX. 40 LBS (CONFIGURED AS SHOWN)

UNLESS OTHERWISE SPECIFIED DIMENSIONS ARE IN INCHES AND APPLY BEFORE FINISH SURFACE ROUGHNESS .125/ TOLERANCE ON FRACTIONS DECIMALS ANGLES ± 1/64 ±.001 ±.005 ± 1/2	DRAWN JH 12/06/01	VARTECH DISPLAYS INC.	
	CHECKED	OUTLINE DRAWING	
	PROJECT MANAGER	Model VT17B-C	
MATERIAL	QUALITY ASSURANCE	MODEL(S) USED ON	REV 1
FINISH	VT17B-C	SIZE D	600-2027
SCALE: 1/2		SHEET 1 OF 1	