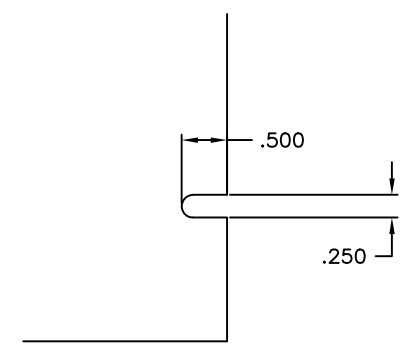
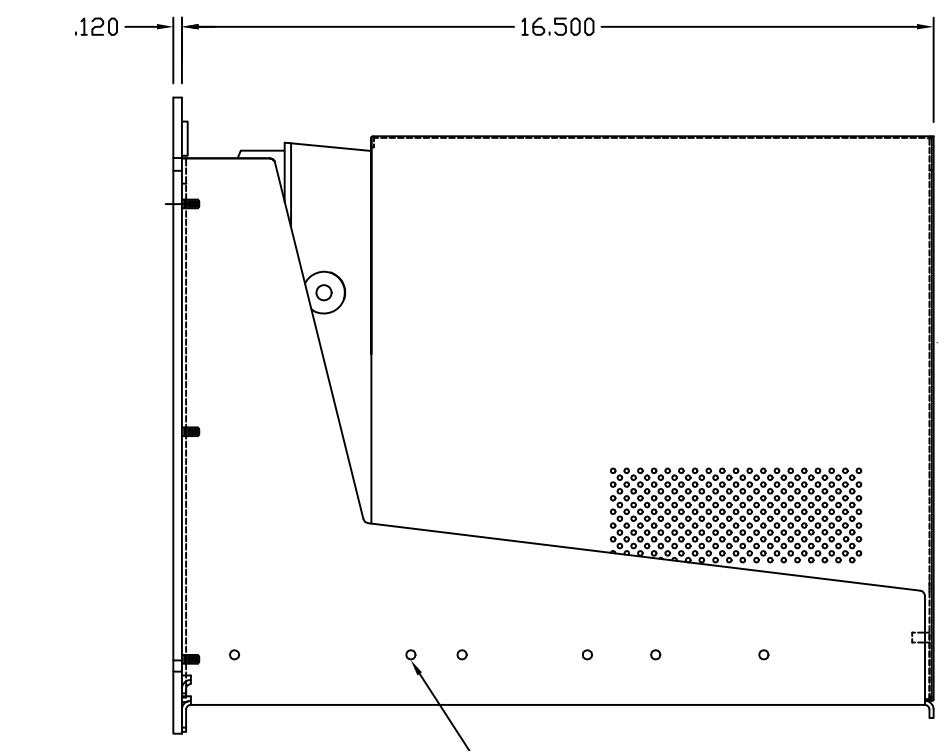
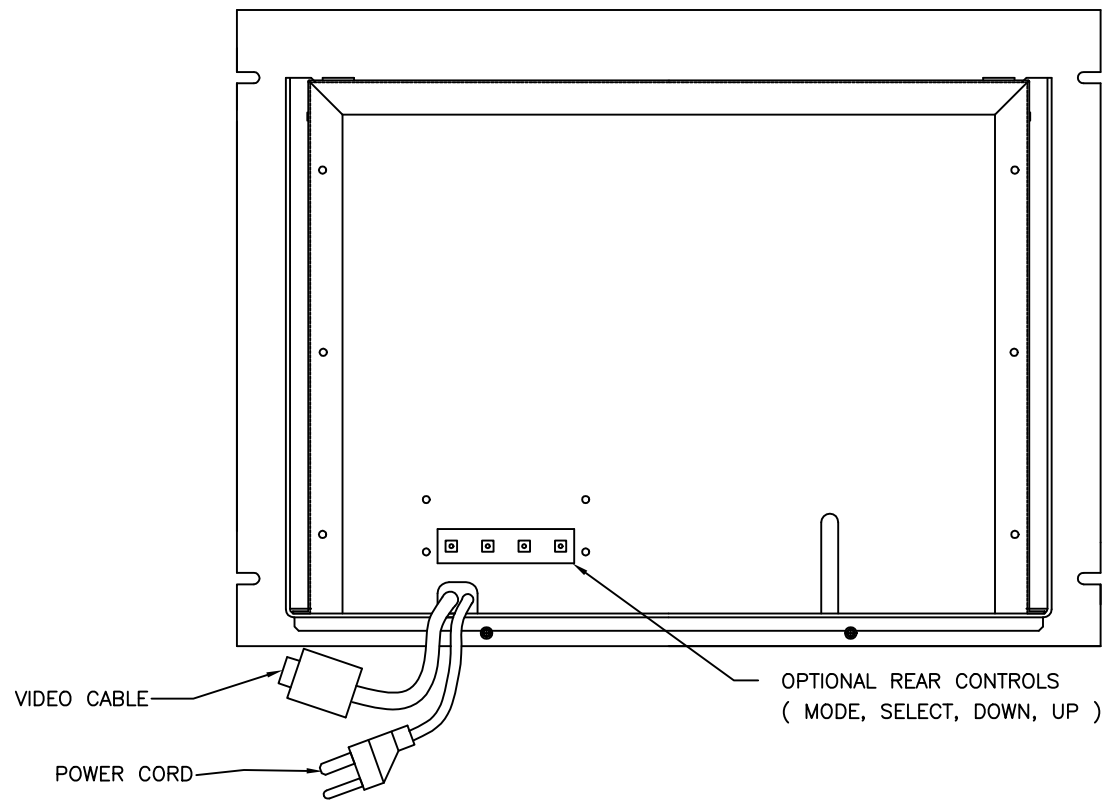
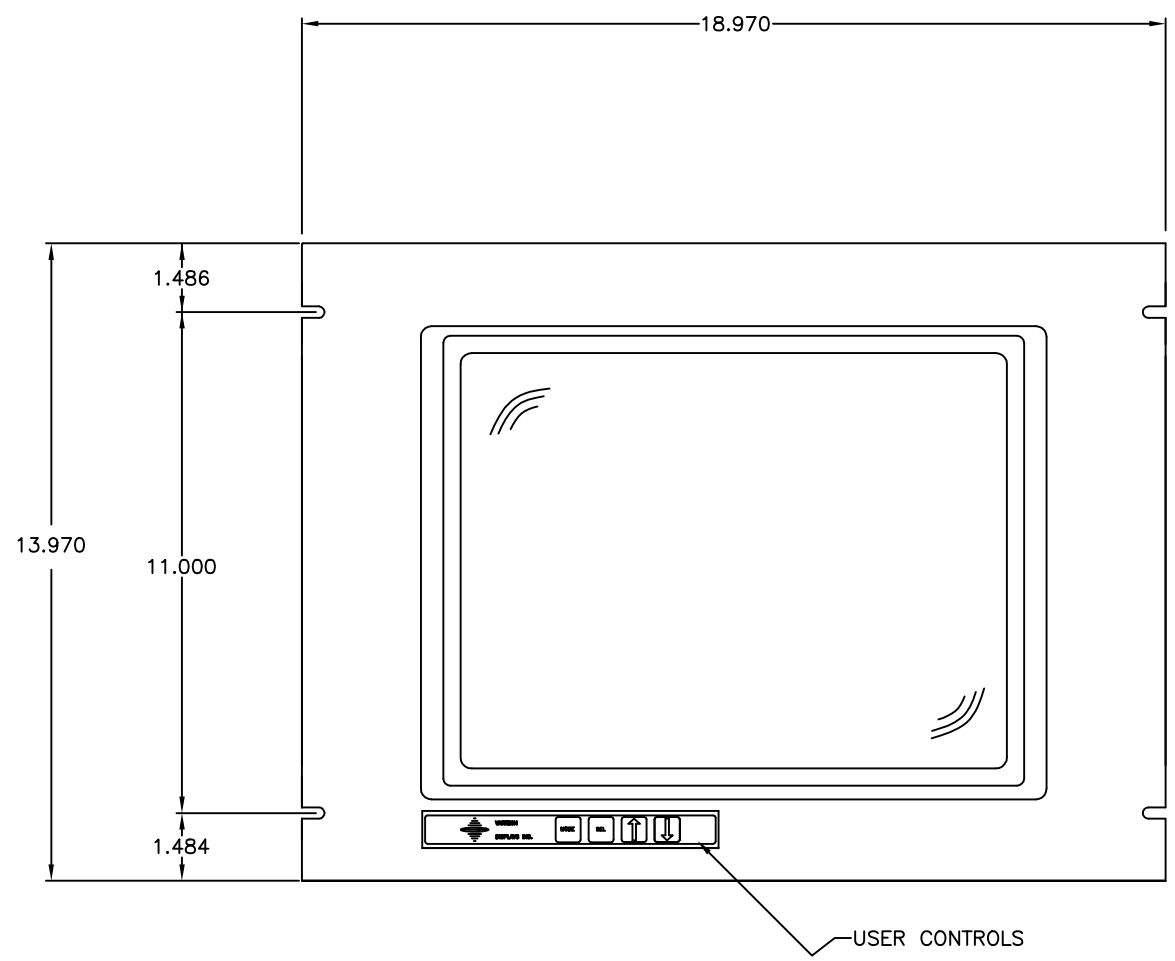


CHANGE HISTORY					
	DESCRIPTION	INCORPORATED INITIAL	DATE	APPROVAL INITIAL	DATE
1	PRELIMINARY RELEASE			KH	11/01
2	MODEL NAME WAS VT1706R				



NOTCH DETAIL
TYPICAL 4 PLACES

- NOTES:
- 1- ALL DIMENSIONS ARE NOMINAL AND FOR REFERENCE ONLY. THIS DRAWING SHOULD NOT BE USED FOR DESIGN PURPOSES.
 - 2- UNIT WEIGHT: APPROX. 44 LBS (CONFIGURED AS SHOWN)
 - 3- DESIGNED FOR 19" RACK PER EIA-310-D

WAS MODEL VT1706R

UNLESS OTHERWISE SPECIFIED DIMENSIONS ARE IN INCHES AND APPLY BEFORE FINISH		DRAWN JH		VARTECH DISPLAYS INC.	
SURFACE ROUGHNESS .125/		CHECKED		OUTLINE DRAWING	
TOLERANCE ON		PROJECT MANAGER		Model VT17B-R	
FRACTIONS	DECIMALS	ANGLES	QUALITY ASSURANCE	MODEL(S) USED ON	REV
± 1/8"	± .005"	± 1°		VT17B-R	2
FINISH		SCALE:		SIZE D	600-2024
					SHEET 1 OF 1