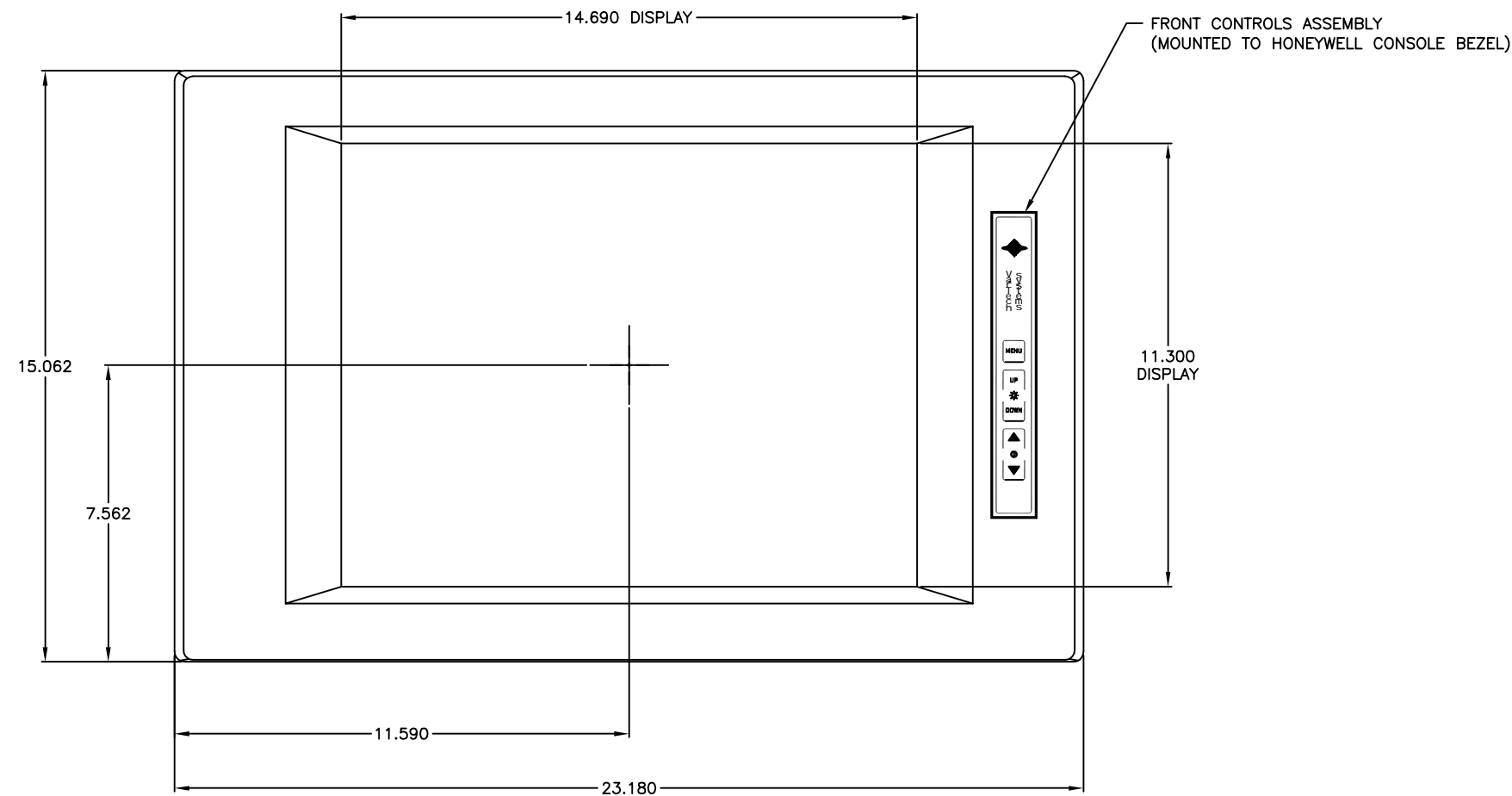
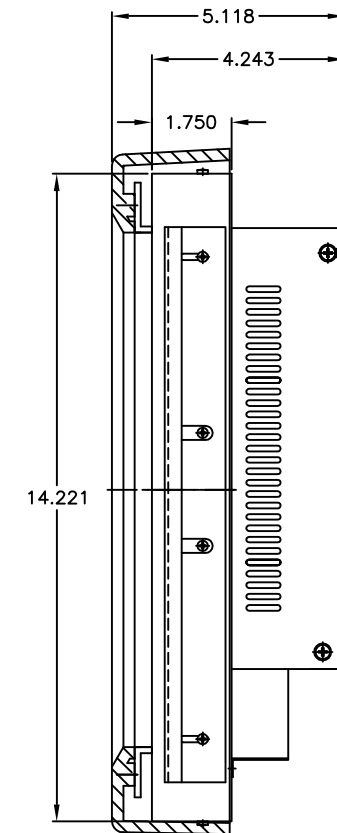


CHANGE HISTORY		
FILE INDEX	DESCRIPTION	APPROVAL INITIAL DATE
A	PRELIMINARY RELEASE	



SIDE VIEW



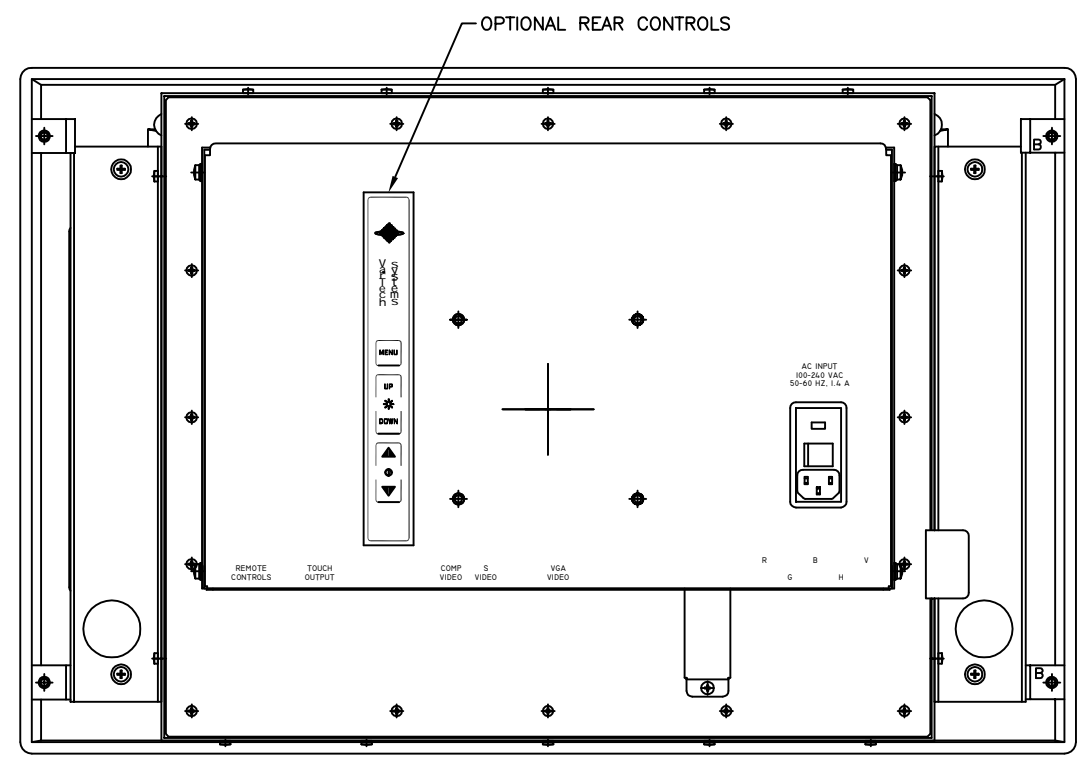
SIDE VIEW  
SECTION THRU BEZEL

NOTES:

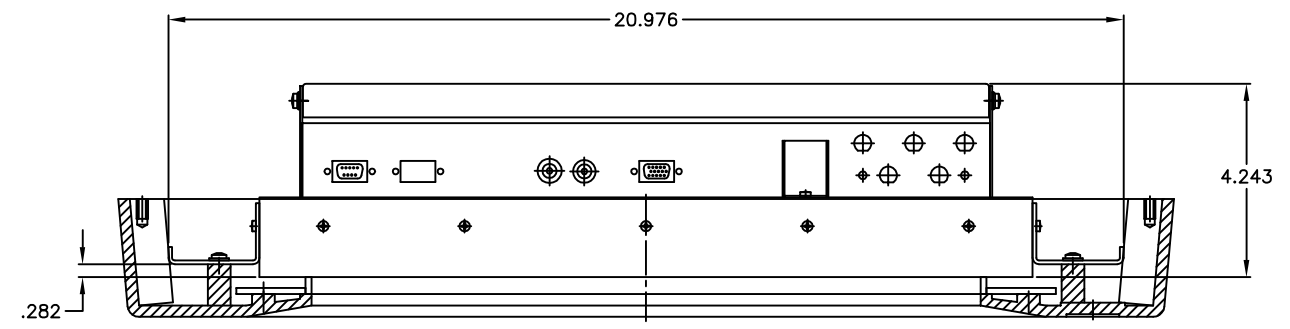
1. ALL DIMENSIONS ARE NOMINAL AND FOR REFERENCE ONLY. THIS DRAWING SHOULD NOT BE USE FOR DESIGN PURPOSES.
2. WEIGHT OF UNIT IS 24 LBS.
3. SHIPPING WEIGHT OF UNIT IS 32 LBS.

ITEM	QTY	MFR. PT.NO.	DESCRIPTION	SYM/NOTE
LIST OF MATERIALS				
UNLESS OTHERWISE SPECIFIED DIMENSIONS ARE IN INCHES AND APPLY BEFORE FINISH		DRAWN	DATE	 <b>VARTECH SYSTEMS</b> OUTLINE DRAWING VT181CH/CHE-404-1-IS-00
SURFACE ROUGHNESS .125		DMS	1/27/05	
TOLERANCE ON		CHECKED		
FRACTIONS   DECIMALS   ANGLES		DRAFTING		
± 1/64   ±.XX=.02   ± 1/2		ENGINEER		
MATERIAL		MANUF		
VT181CHE		APPROVED		
VT181CH	FINISH	QA		
USED ON				
APPLICATION				
SIZE		DWG. NO.		REV
D		601-0143		A
SCALE 1 : 2		SHEET 1 OF 2		

CHANGE HISTORY		
FILE INDEX	DESCRIPTION	APPROVAL INITIAL DATE
A	PRELIMINARY RELEASE	



REAR VIEW



BOTTOM VIEW SECTION THRU BEZEL

ITEM	QTY	MFR. PT.NO.	DESCRIPTION	SYM/NOTE
LIST OF MATERIALS				
UNLESS OTHERWISE SPECIFIED DIMENSIONS ARE IN INCHES AND APPLY BEFORE FINISH SURFACE ROUGHNESS .125/ TOLERANCE ON FRACTIONS   DECIMALS   ANGLES		DRAWN DMS	DATE 1/27/05	 <b>VARTECH SYSTEMS</b> OUTLINE DRAWING VT181CH/CHE-404-1-IS-00
± 1/64   ±.XX=.02   ± 1/2		CHECKED		
		DRAFTING		
		ENGINEER		
MATERIAL		MANUF		
VT181CHE		APPROVED		SIZE D
VT181CH	FINISH	QA		DWG NO. 601-0143
USED ON				REV A
APPLICATION				SCALE 1 : 2
				SHEET 2 OF 2