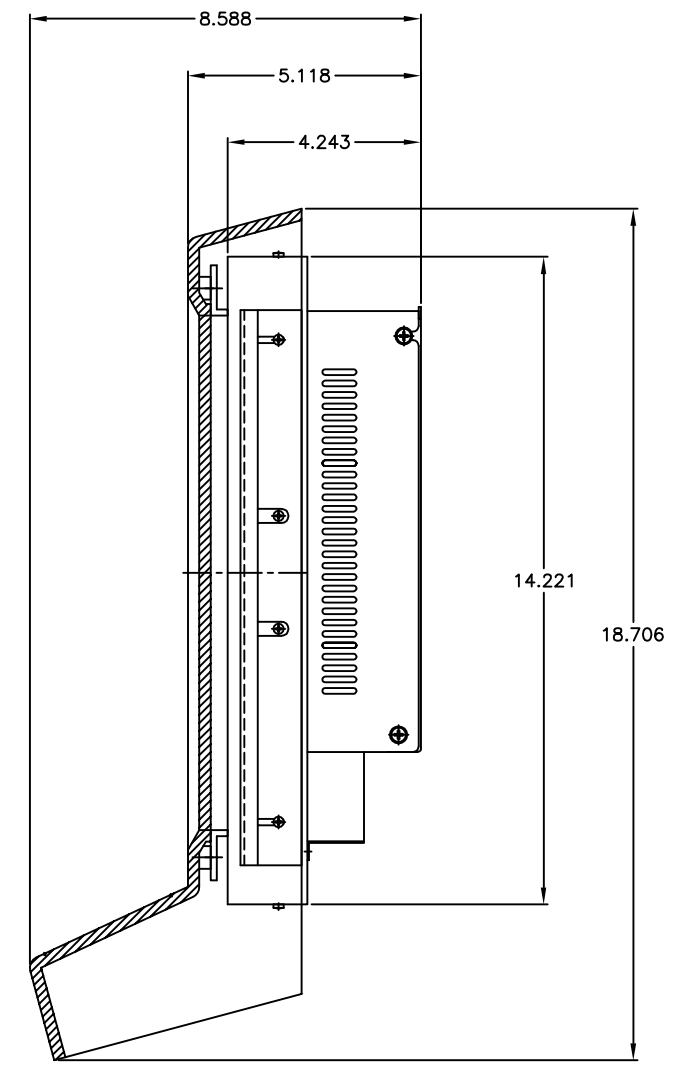
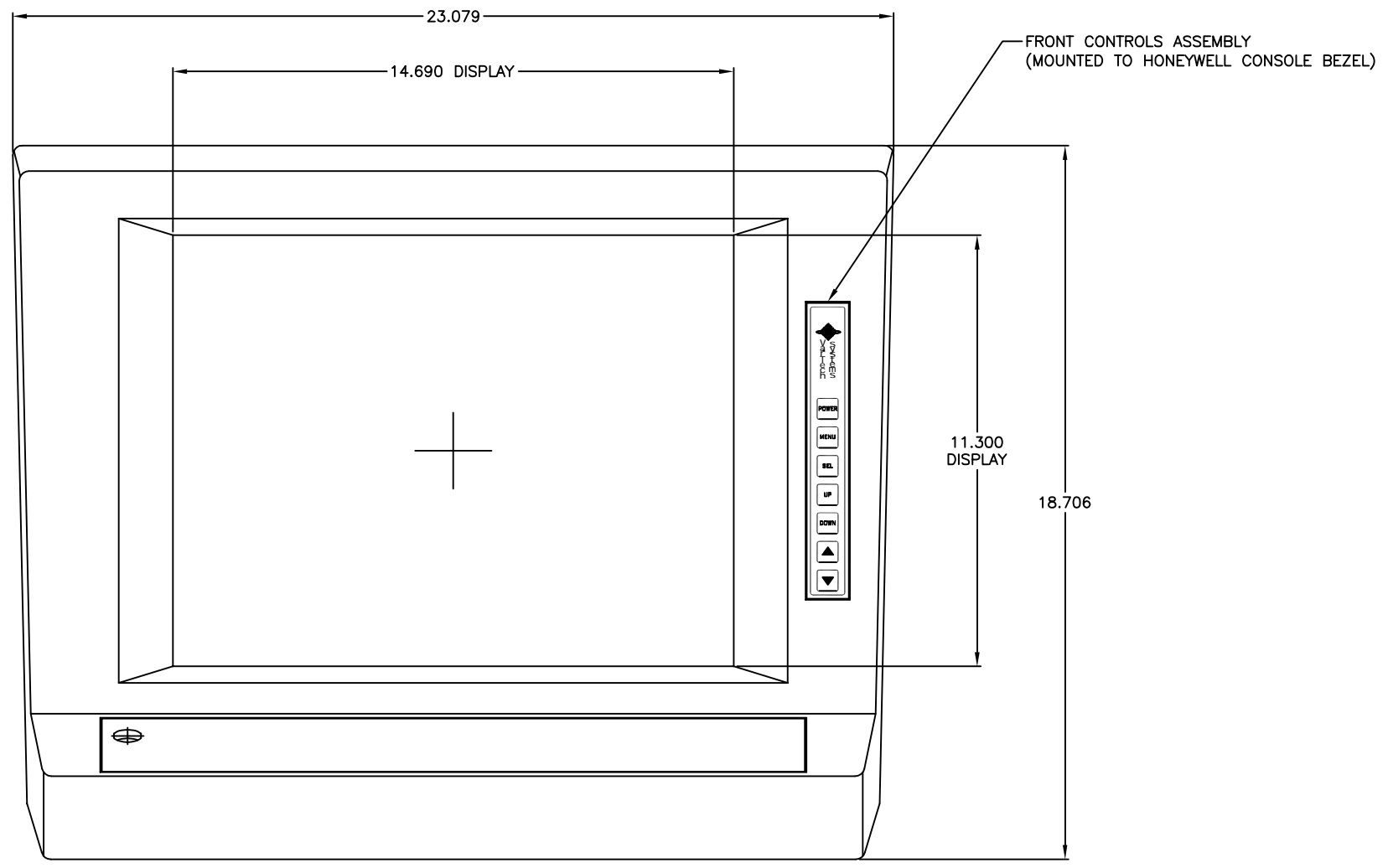


CHANGE HISTORY		
FILE INDEX	DESCRIPTION	APPROVAL INITIAL DATE
A	PRELIMINARY RELEASE	



FRONT VIEW

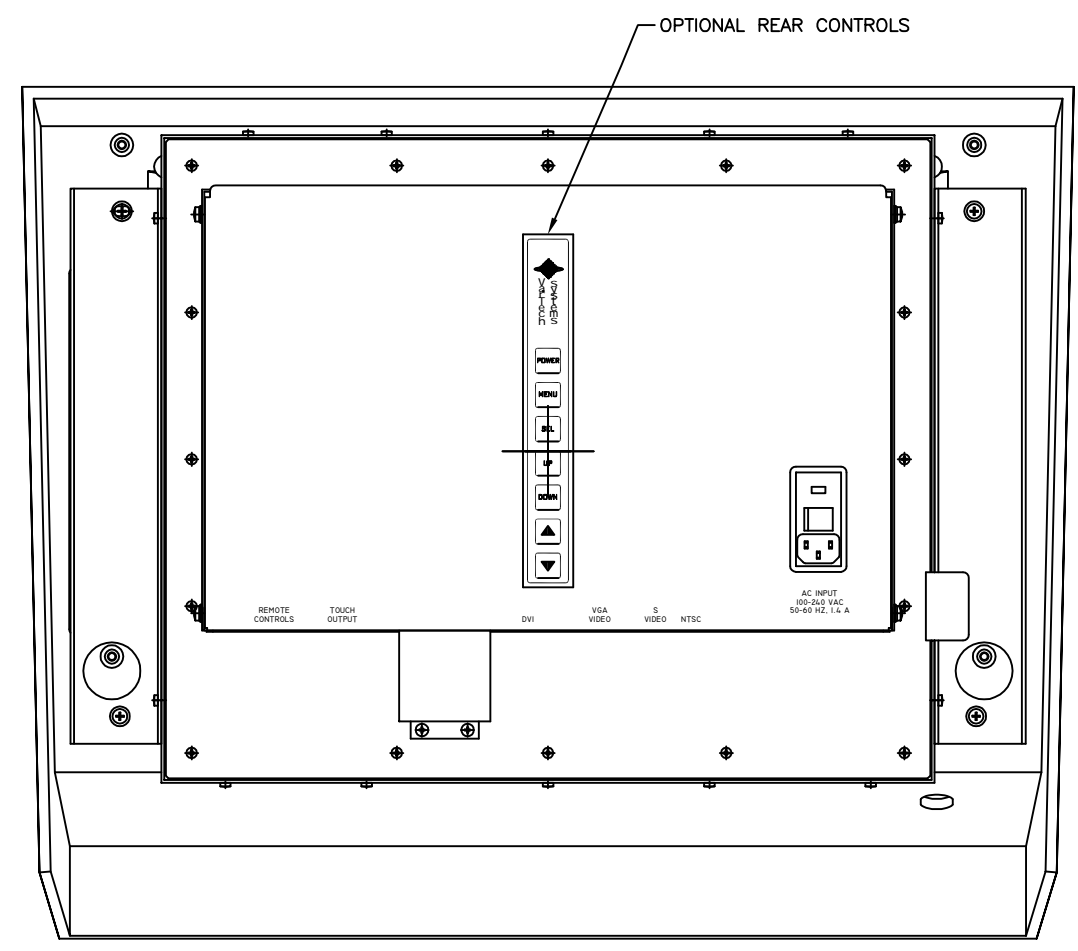
SIDE VIEW

GROUP 3-3

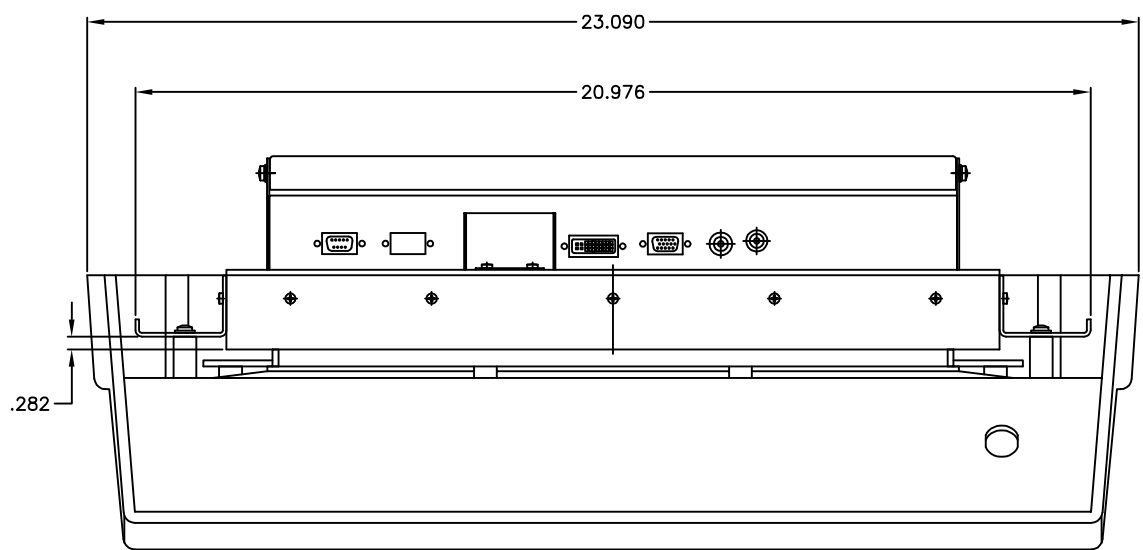
- NOTES:
- ALL DIMENSIONS ARE NOMINAL AND FOR REFERENCE ONLY. THIS DRAWING SHOULD NOT BE USE FOR DESIGN PURPOSES.
 - WEIGHT OF UNIT IS 24 LBS.
 - SHIPPING WEIGHT OF UNIT IS 32 LBS.

ITEM	QTY	MFR. PT.NO.	DESCRIPTION	SYM/NOTE
LIST OF MATERIALS				
UNLESS OTHERWISE SPECIFIED DIMENSIONS ARE IN INCHES AND APPLY BEFORE FINISH SURFACE ROUGHNESS .125/ TOLERANCE ON FRACTIONS DECIMALS ANGLES		DRAWN DMS	DATE 1/25/05	 VARTECH SYSTEMS OUTLINE DRAWING VT181CH4-403-1-IS-00
± 1/64 ± .XX=.02 ± 1/2		CHECKED		
MATERIAL		DRAFTING		
FINISH		ENGINEER		
VT181CH4		MANUF		SIZE D
USED ON		APPROVED		DWG NO. 601-0142
APPLICATION		QA		REV A
			SCALE 1 : 2	SHEET 1 OF 2

CHANGE HISTORY		
FILE INDEX	DESCRIPTION	APPROVAL INITIAL DATE
A	PRELIMINARY RELEASE	



REAR VIEW



BOTTOM VIEW

ITEM	QTY	MFR. PT.NO.	DESCRIPTION	SYM/NOTE
LIST OF MATERIALS				
UNLESS OTHERWISE SPECIFIED DIMENSIONS ARE IN INCHES AND APPLY BEFORE FINISH SURFACE ROUGHNESS .125/		DRAWN DMS	DATE 1/25/05	 VARTECH SYSTEMS OUTLINE DRAWING VT181CH4-403-1-IS-00
TOLERANCE ON FRACTIONS DECIMALS ANGLES		CHECKED	DRAFTING	
± 1/64 ±.XX=.02 ± 1/2		ENGINEER	MANUF	
MATERIAL		APPROVED	QA	
VT181CH4	USED ON	FINISH	SCALE 1 : 2	SIZE D DWG NO. 601-0142 REV A
APPLICATION			SHEET 2 OF 2	FILE NUMBER: 6010142B-RA