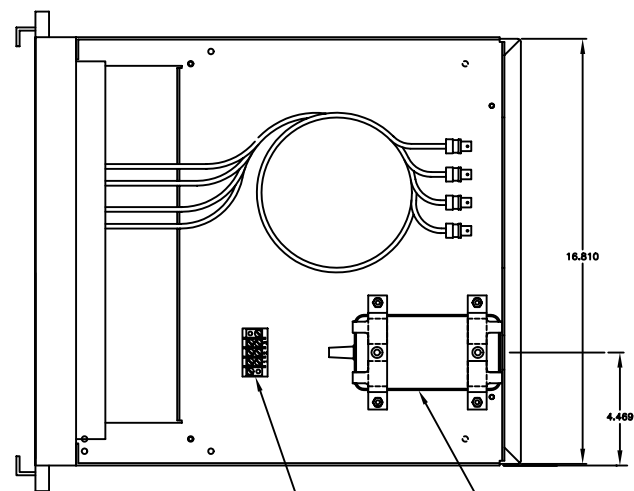
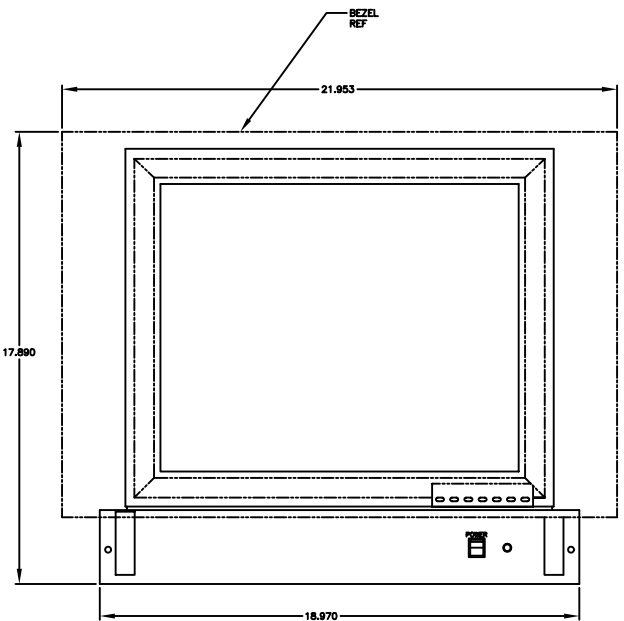


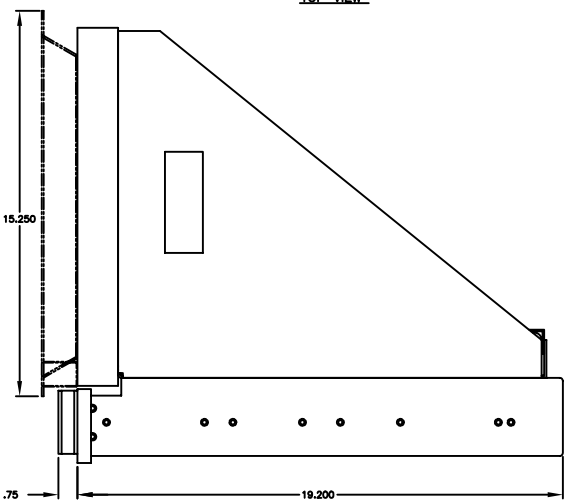
CHANGE HISTORY		
FILE INDEX	DESCRIPTION	APPROVAL INITIAL DATE
1	PRELIMINARY RELEASE	



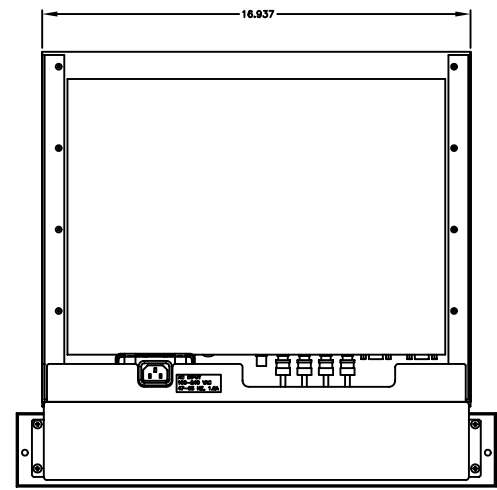
TOP VIEW



FRONT VIEW



SIDE VIEW



REAR VIEW

QTY	ITEM	MFR.	PT.NO.	DESCRIPTION	SYM/NOTE
LIST OF MATERIALS					
	UNLESS OTHERWISE SPECIFIED DIMENSIONS ARE IN INCHES AND APPLY BEFORE FINISH SURFACE ROUGHNESS .125/ TOLERANCE ON FRACTIONS DECIMALS ANGLES ± 1/8 ± .005 ± 1/2	DRAWN	DATE	VARTECH DISPLAYS INC	
		RKH	12JUN02	OUTLINE DRAWING	
		CHECKED		HONEYWELL CONSOLE	
		DRAFTING			
		ENGINEER			
	MATERIAL	MANUF			
		APPROVED		SIZE	DWG NO.
	VT181RHZ	QA		D	600-2049
	USED ON			SCALE 1 : 1	REV 1
	APPLICATION			SHEET 1 OF 1	

FILE NUMBER: 6002049-R1