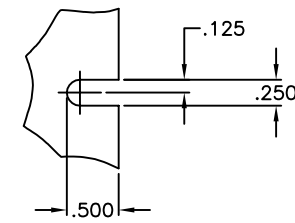
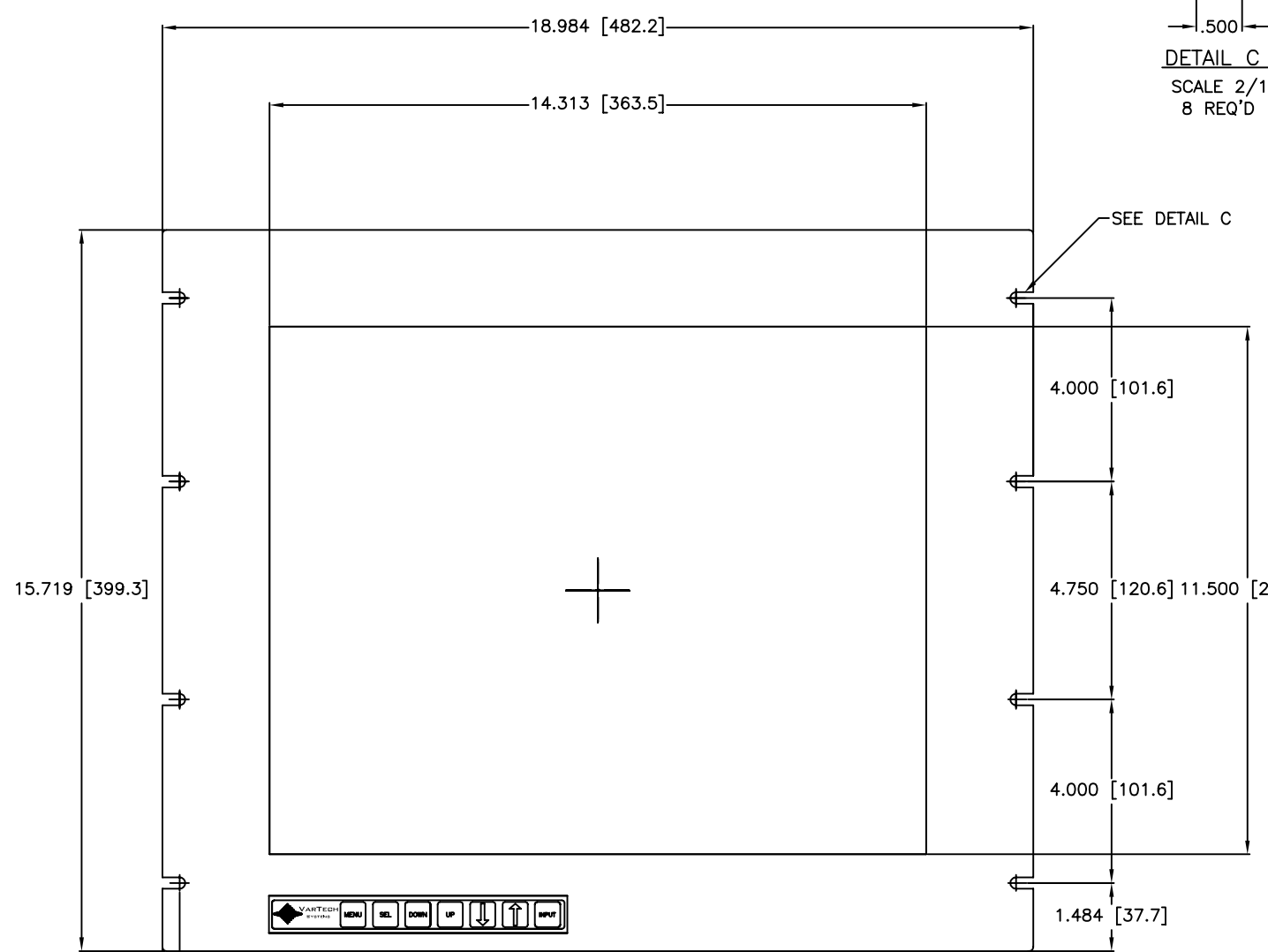


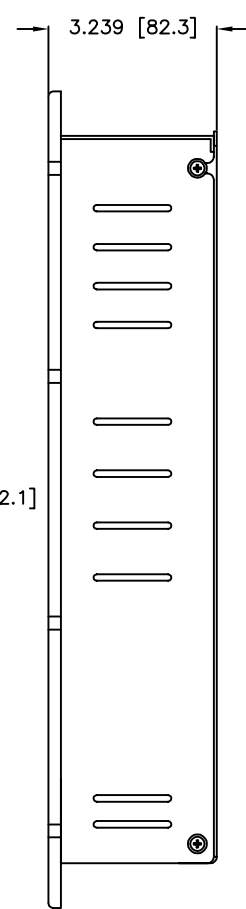
CHANGE HISTORY		
FILE INDEX	DESCRIPTION	APPROVAL INITIAL DATE
1	PRELIMINARY RELEASE	



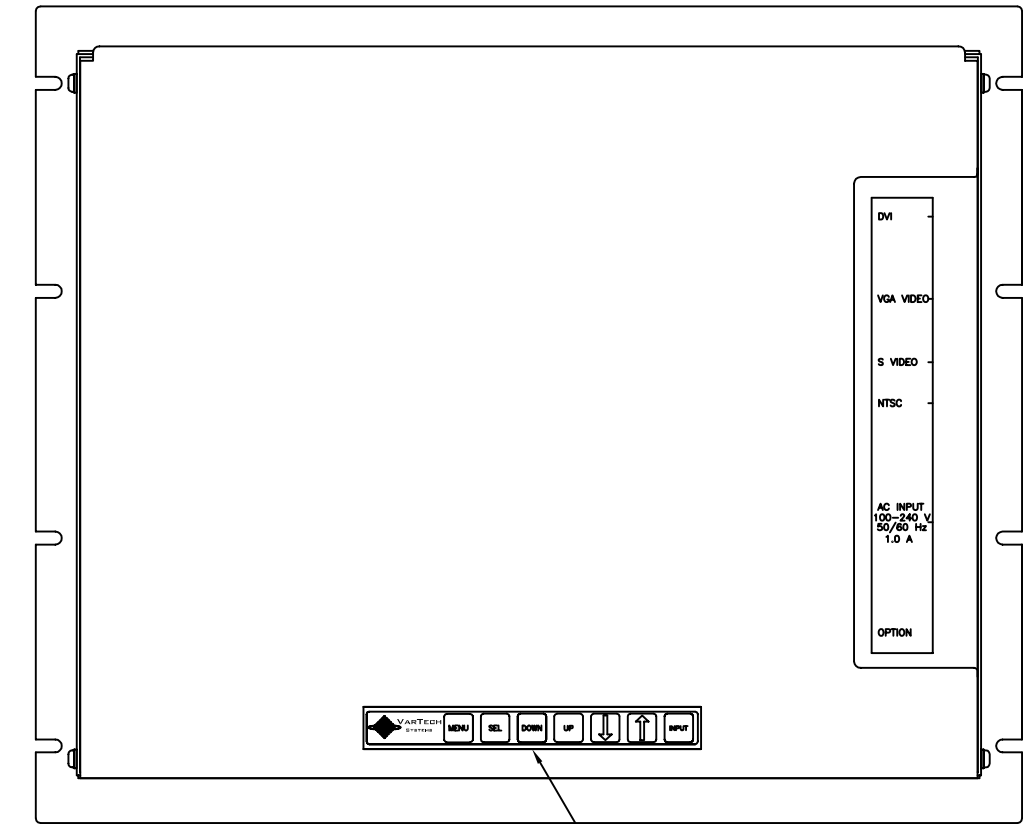
DETAIL C
SCALE 2/1
8 REQ'D



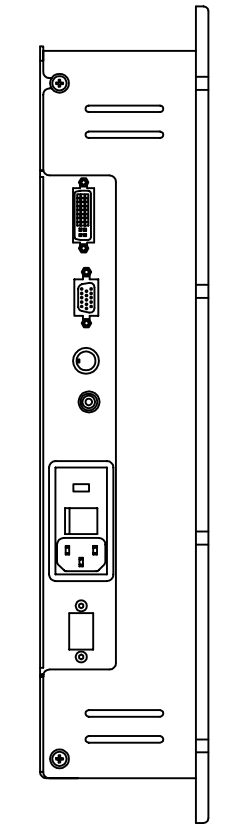
FRONT VIEW



SIDE VIEW

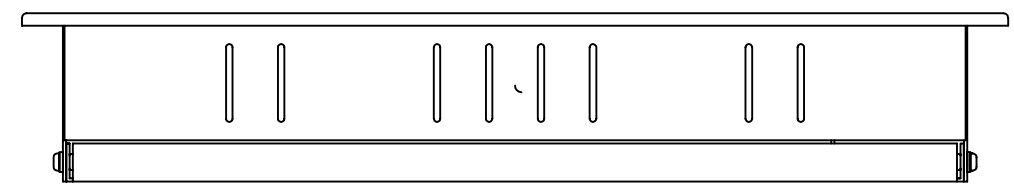


REAR VIEW



CONN VIEW

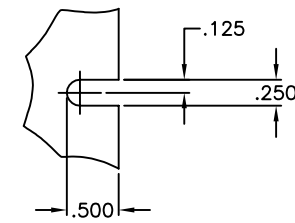
OPTIONAL REAR CONTROLS



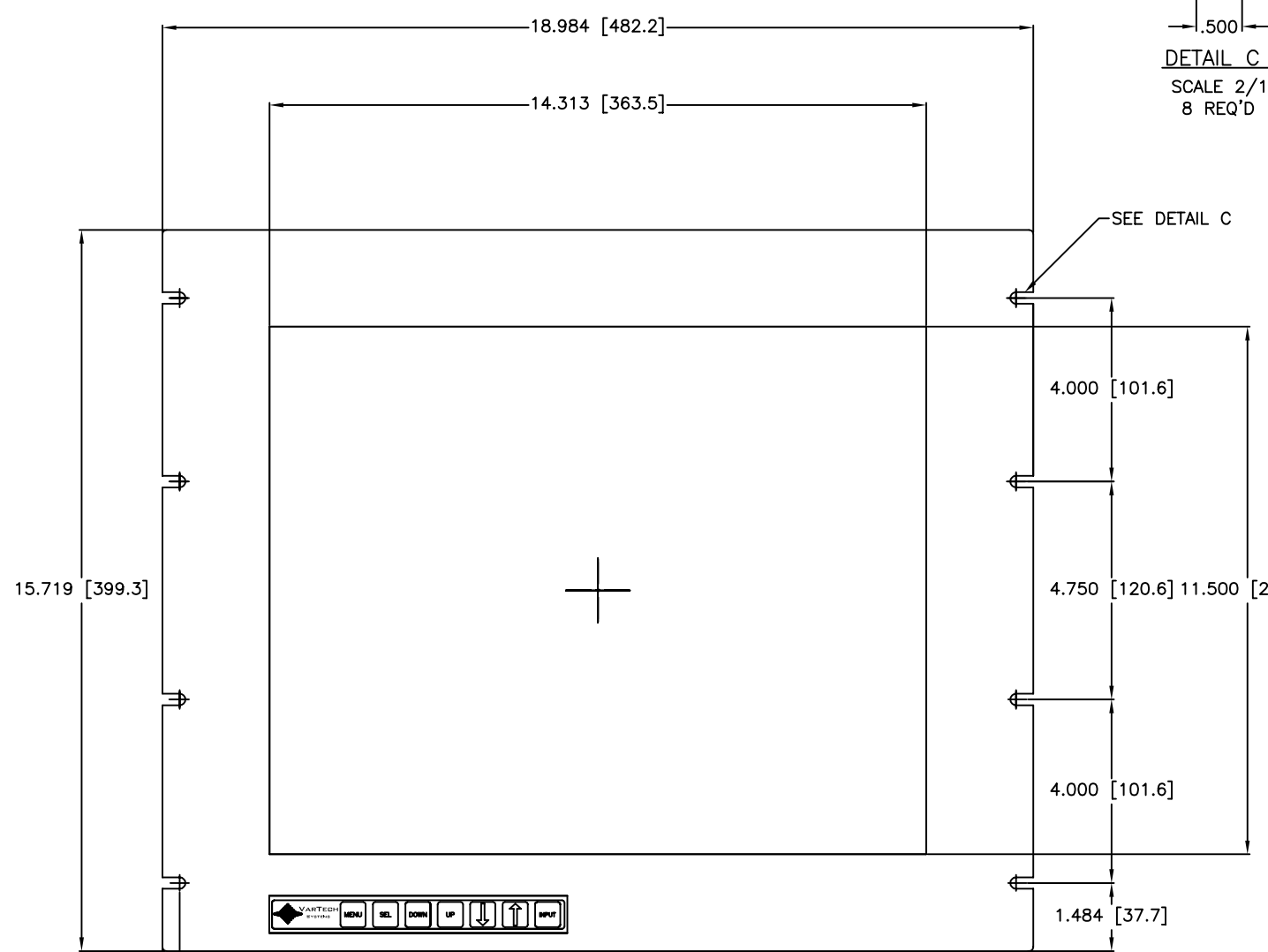
- NOTES:
1. ALL DIMENSIONS ARE NOMINAL AND FOR REFERENCE ONLY. THIS DRAWING SHOULD NOT BE USED FOR DESIGN PURPOSES.
 2. WEIGHT OF UNIT IS 19 LBS.
 3. SHIPPING WEIGHT OF UNIT IS 30 LBS.

ITEM	QTY	MFR. PT.NO.	DESCRIPTION	SYM/NOTE
LIST OF MATERIALS				
UNLESS OTHERWISE SPECIFIED DIMENSIONS ARE IN INCHES AND APPLY BEFORE FINISH SURFACE ROUGHNESS .125/ TOLERANCE ON		DRAWN RKH	DATE 26FEB03	 VARTECH SYSTEMS OUTLINE DRAWING DIAMONDVUE SERIES VT181R
FRACTIONS 1/64		CHECKED		
DECIMALS ±.XX=.02		DRAFTING		
ANGLES ± 1/2		ENGINEER		
MATERIAL		MANUF		SIZE D
FINISH		APPROVED		DWG NO. 601-0016
APPLICATION		QA		REV 1
SCALE 1:1.8			SHEET 1 OF 1	

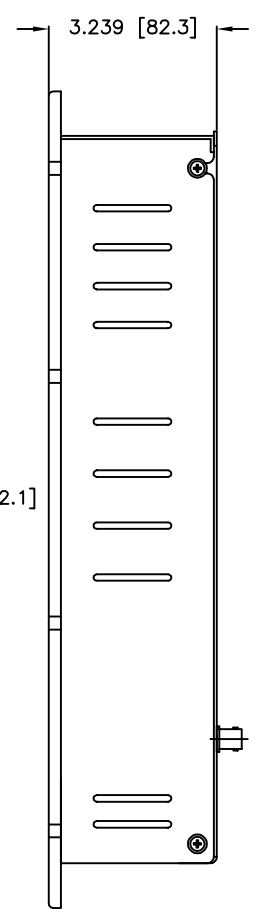
CHANGE HISTORY		
FILE INDEX	DESCRIPTION	APPROVAL INITIAL DATE
1	PRELIMINARY RELEASE	



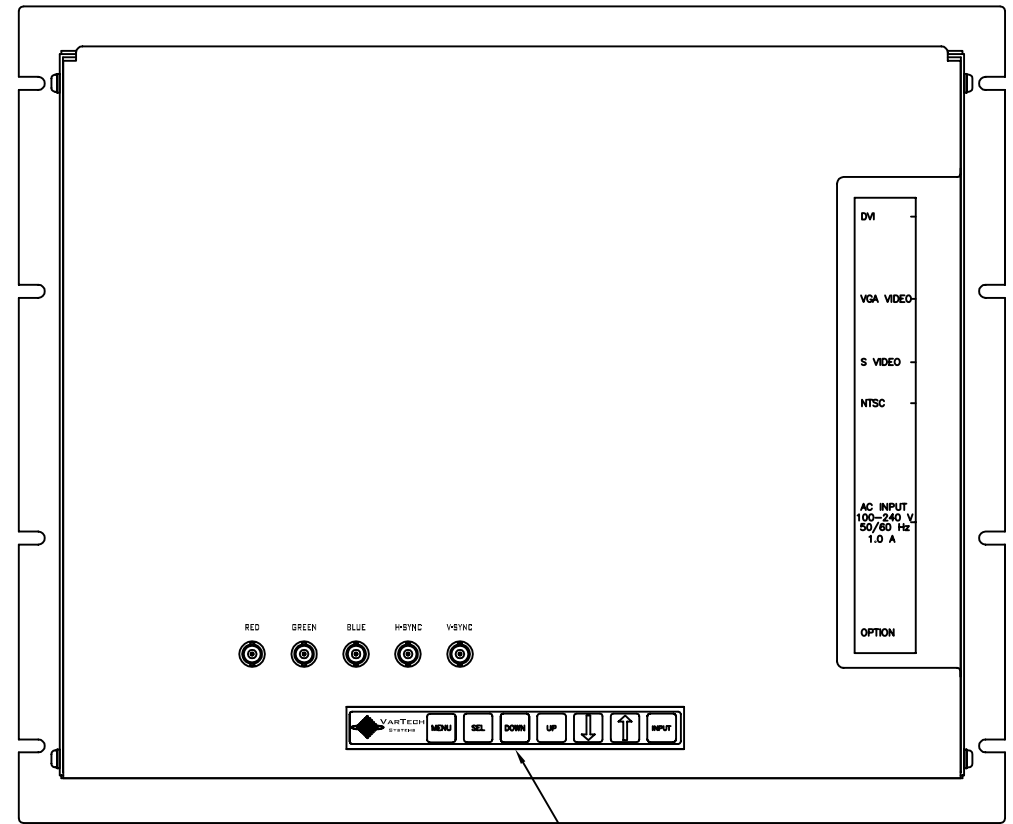
DETAIL C
SCALE 2/1
8 REQ'D



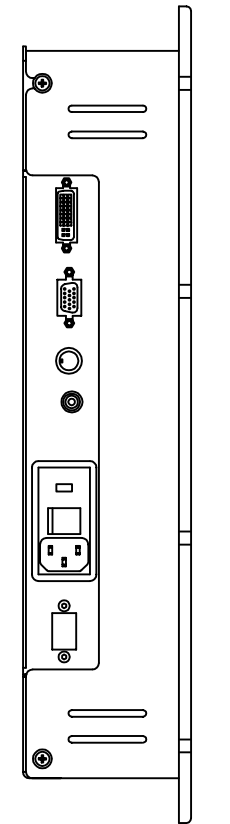
FRONT VIEW



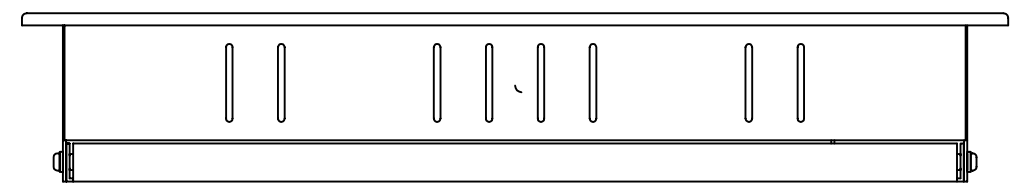
SIDE VIEW



REAR VIEW



CONN VIEW



- NOTES:
1. ALL DIMENSIONS ARE NOMINAL AND FOR REFERENCE ONLY. THIS DRAWING SHOULD NOT BE USED FOR DESIGN PURPOSES.
 2. WEIGHT OF UNIT IS 20 LBS.
 3. SHIPPING WEIGHT OF UNIT IS 30 LBS.

ITEM	QTY	MFR. PT.NO.	DESCRIPTION	SYM/NOTE
LIST OF MATERIALS				
UNLESS OTHERWISE SPECIFIED DIMENSIONS ARE IN INCHES AND APPLY BEFORE FINISH SURFACE ROUGHNESS .125/ TOLERANCE ON FRACTIONS 1/64 DECIMALS ±.XX=.02 ANGLES ± 1/2		DRAWN RKH	DATE 26FEB03	 VARTECH SYSTEMS OUTLINE DRAWING DIAMONDVUE SERIES VT181R BNC
		CHECKED		
		DRAFTING		
		ENGINEER		
		MANUF		
VT181R BNC		APPROVED		SIZE D
USED ON		QA		DWG NO. 601-0023
APPLICATION				REV 1
			SCALE 1:1.8	SHEET 1 OF 1