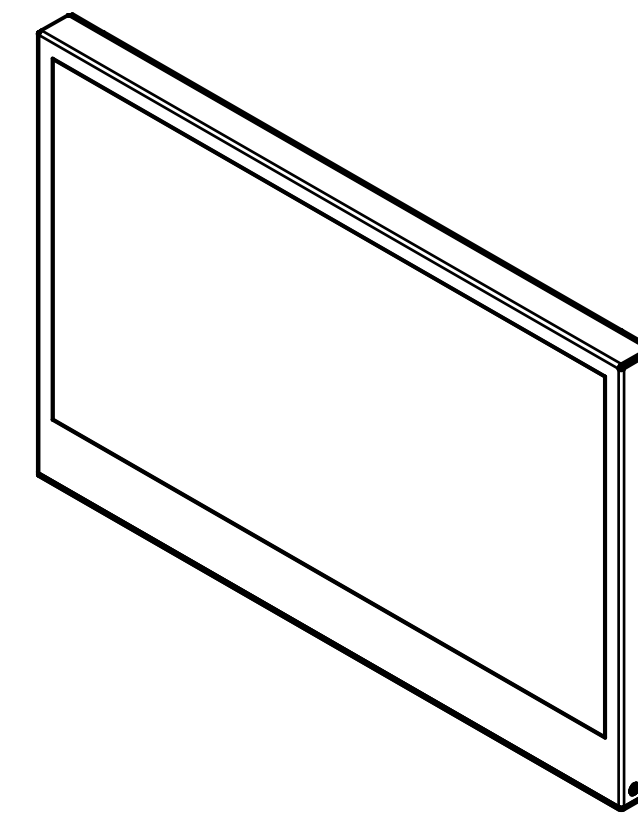
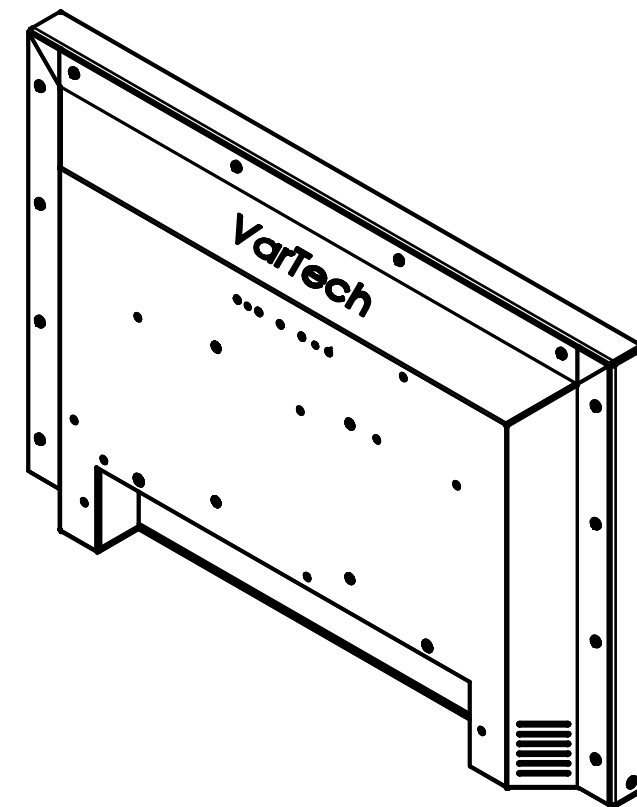
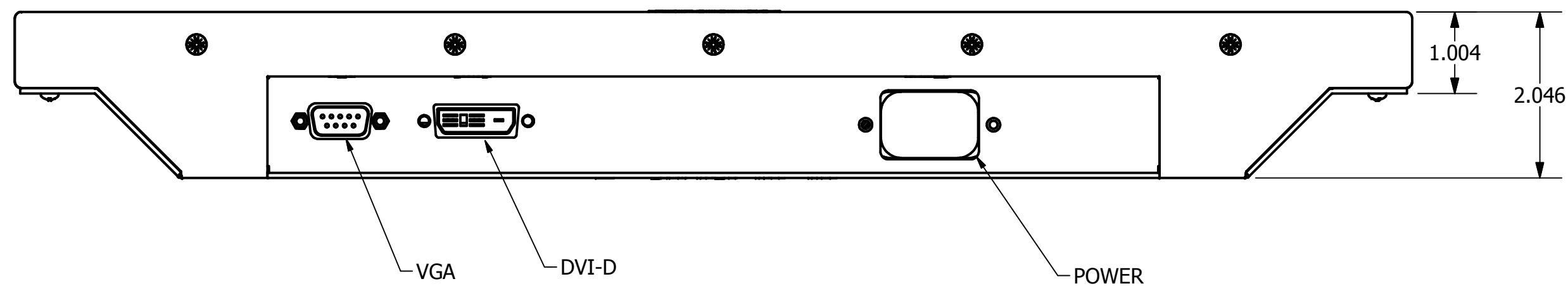
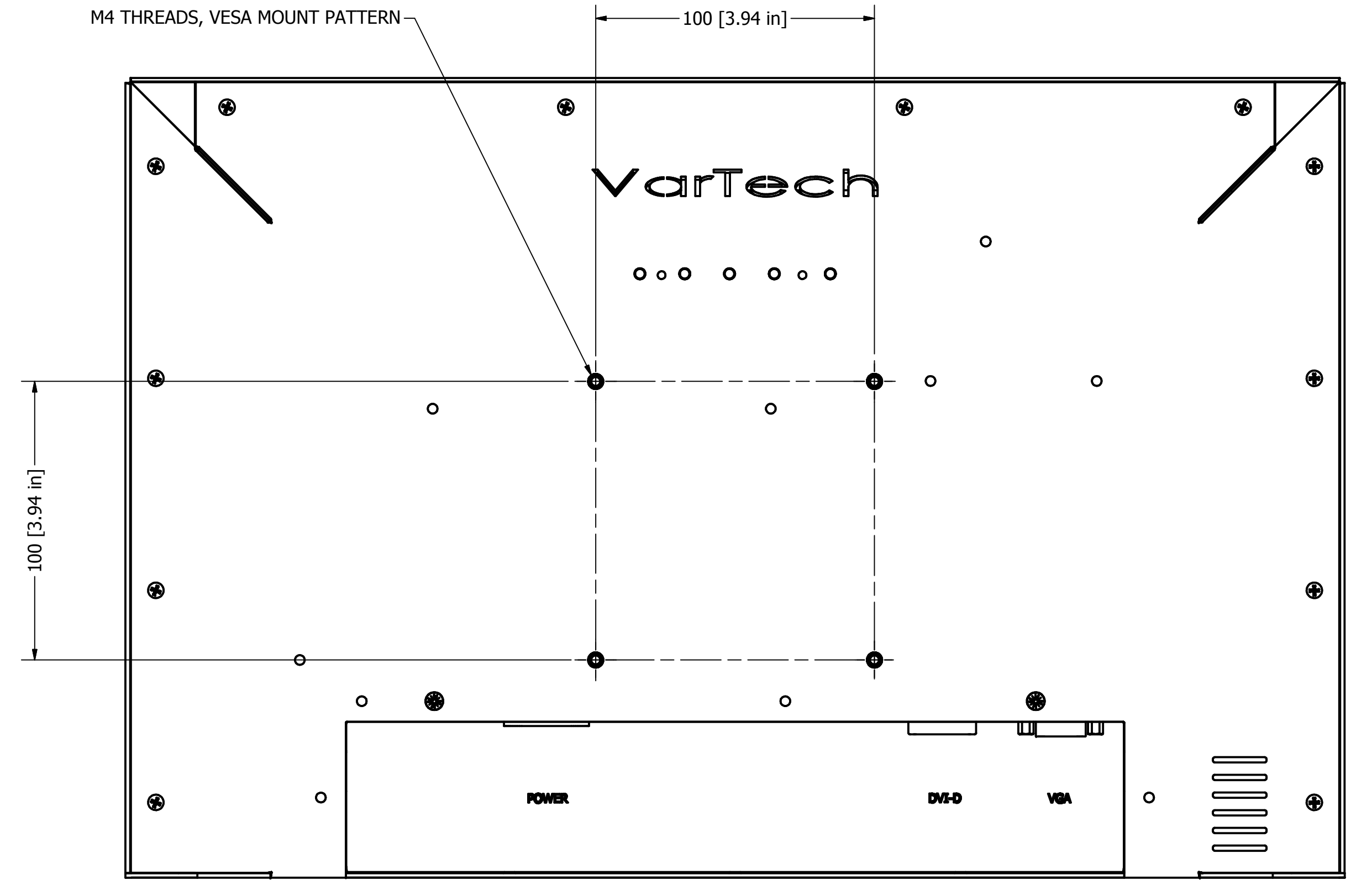
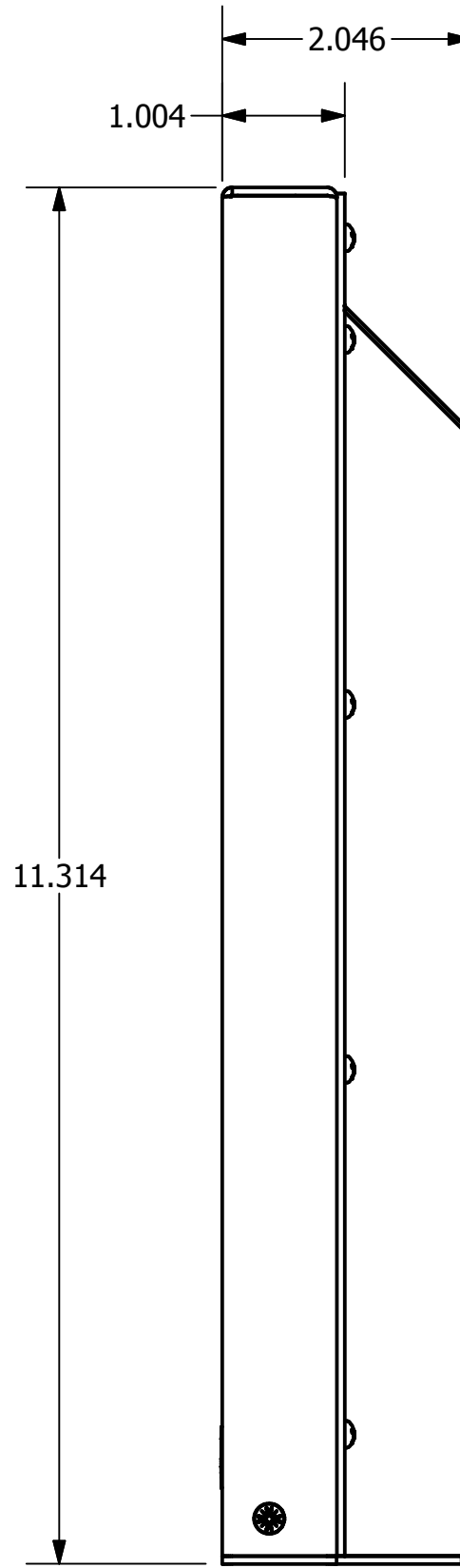
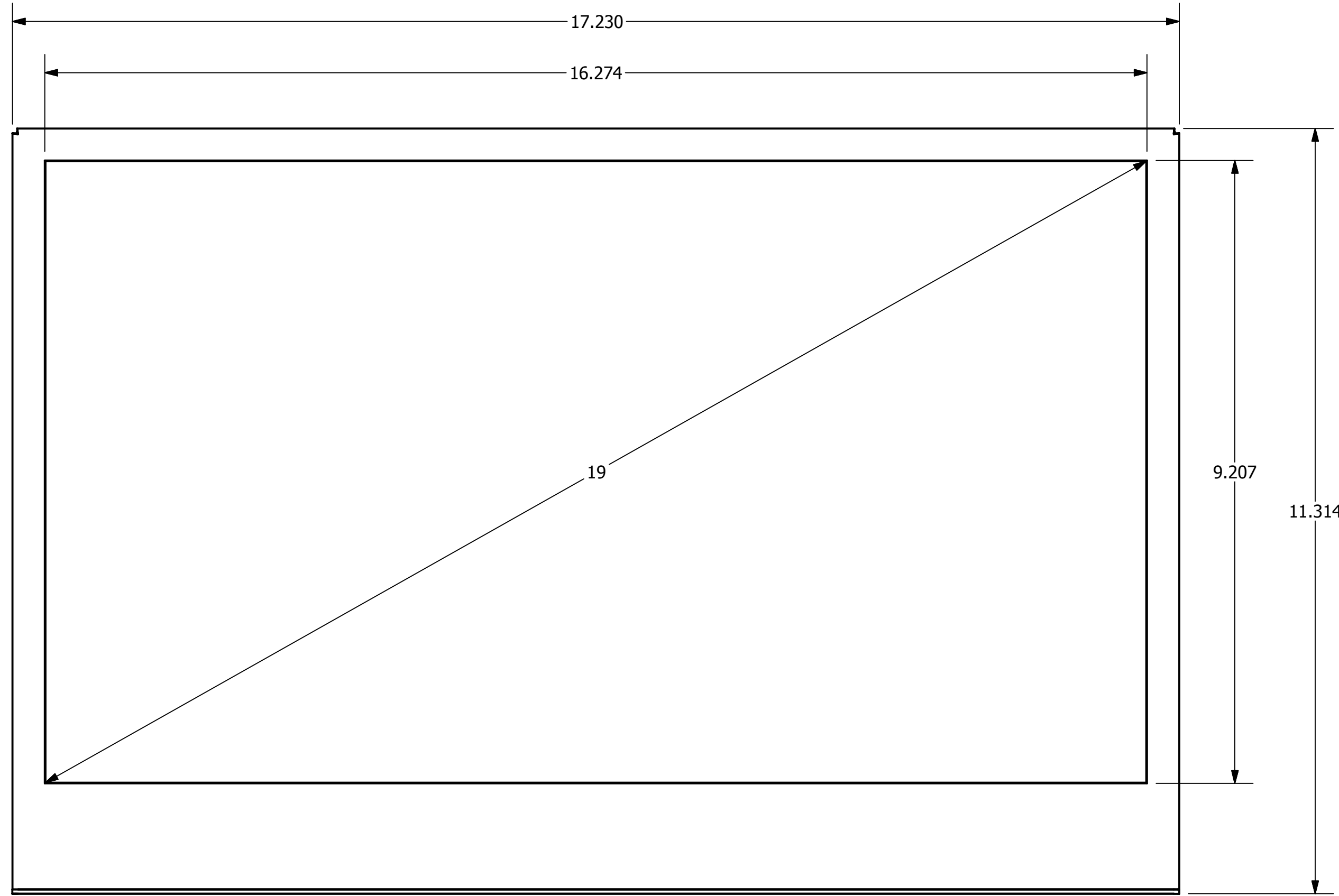
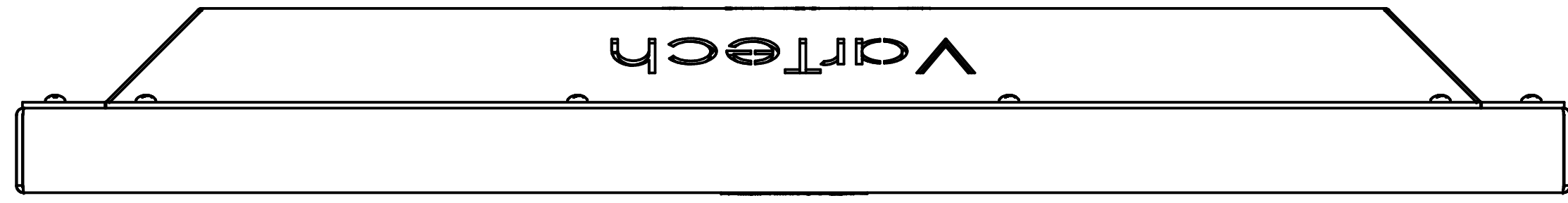


REVISION HISTORY			
REV	DESCRIPTION	APPROVED	DATE
1	RELEASE	COG	7/9/2013



DRAWN	cgray	7/9/2013
CHECKED		
QA		
MFG		
APPROVED		
USED ON	MATERIAL:	
APPLICATION		

VARTECH SYSTEMS	
TITLE	
OUTLINE DRAWING, VT185WWC	
SIZE	TOLERANCES:
D	.XX = .01 .XXX = .005
DWG NO	VT185WWC
REV	1
FINISH:	
SHEET 1 OF 1	