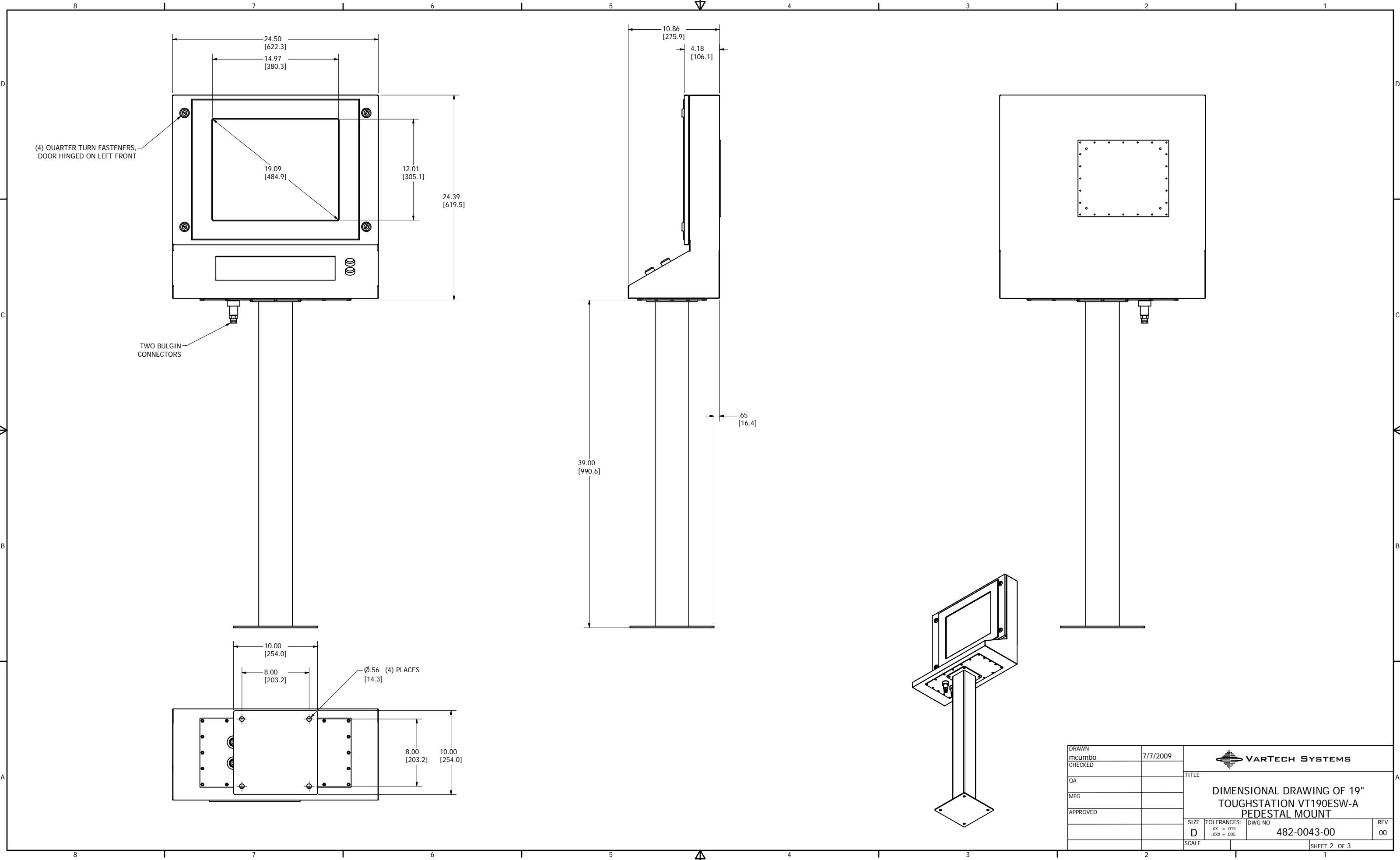


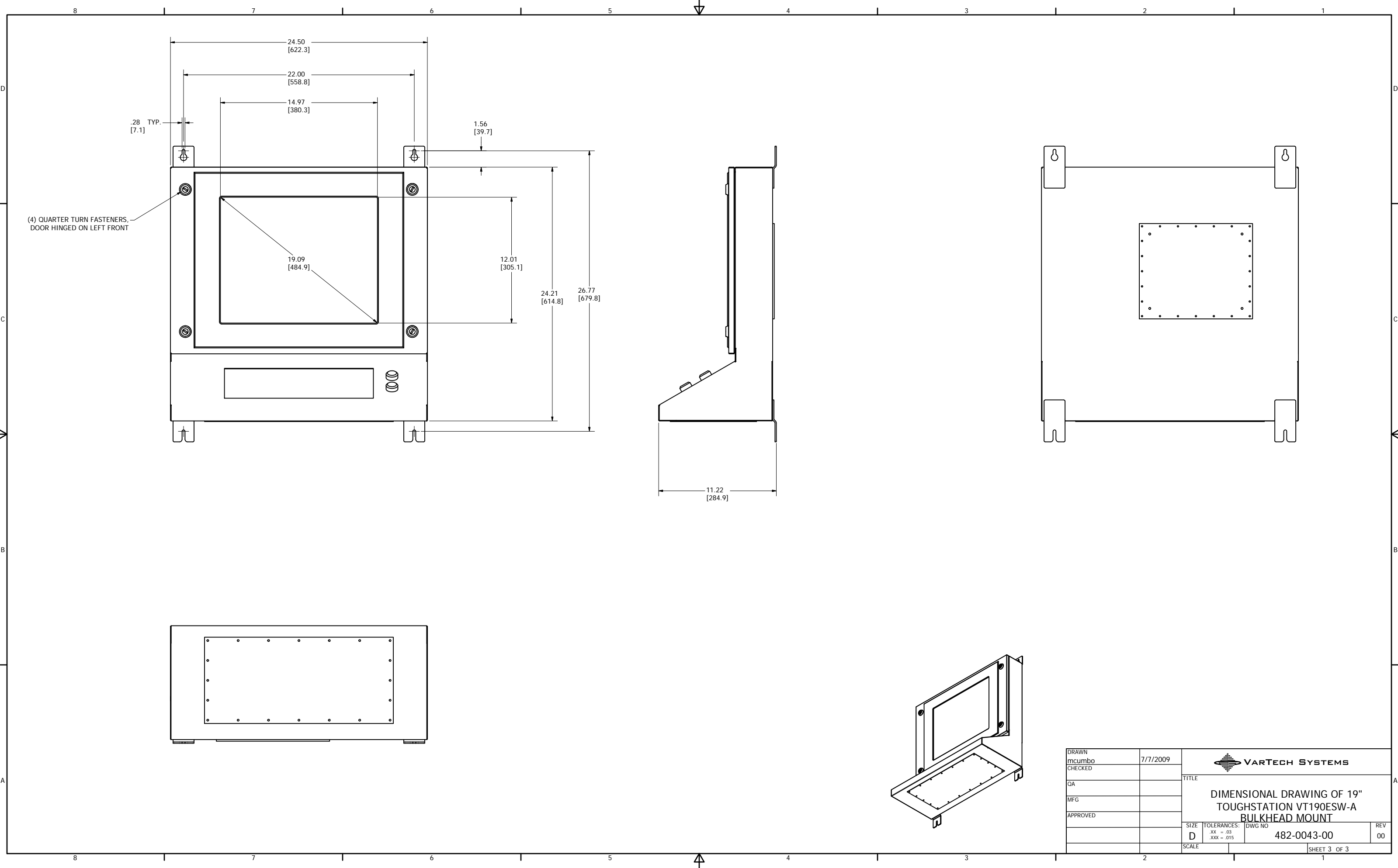
NOTES:

1. OPERATING TEMPERATURE 0° C TO 50° C
2. NEMA 4X, 316 STAINLESS STEEL, OR NEMA 4, POWDER COAT, CONSTRUCTION
3. FLAT KEYBOARD FOR WASHDOWN
4. OPTIONAL TABLE TOP, BULKHEAD, PEDESTAL OR CANTILEVER ARM MOUNTING


DRAWN mcumbo	7/7/2009	VARTECH SYSTEMS			
CHECKED					TITLE
QA		DIMENSIONAL DRAWING OF 19" TOUGHSTATION VT190ESW-A			
MFG					
APPROVED		SIZE	TOLERANCES:	DWG NO	REV
		D	.XX = .03 .XXX = .015	482-0043-00	00
SCALE		SHEET 1 OF 3			



DRAWN	mcumbo	7/7/2009	VARTECH SYSTEMS			
CHECKED						
QA			TITLE			
MFG			DIMENSIONAL DRAWING OF 19" TOUGHSTATION VT190ESW-A PEDESTAL MOUNT			
APPROVED			SIZE	TOLERANCES:	DWG NO	REV
			D	.XX = .015 .XXX = .005	482-0043-00	00
			SCALE		SHEET 2 OF 3	

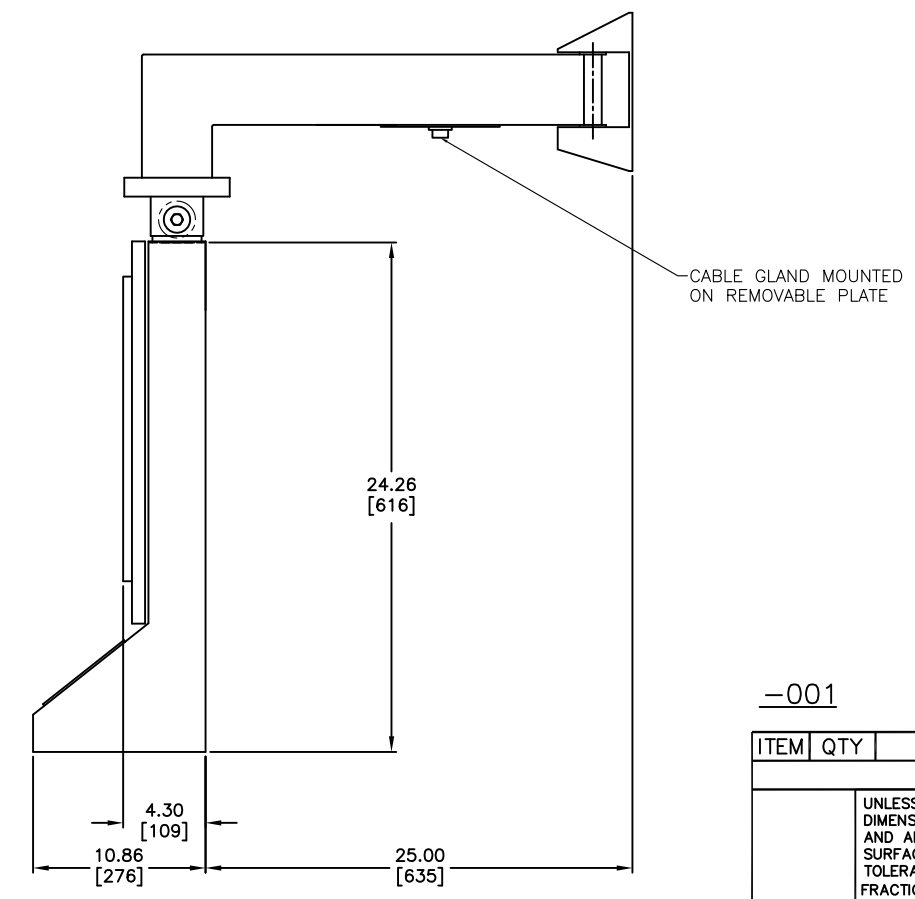
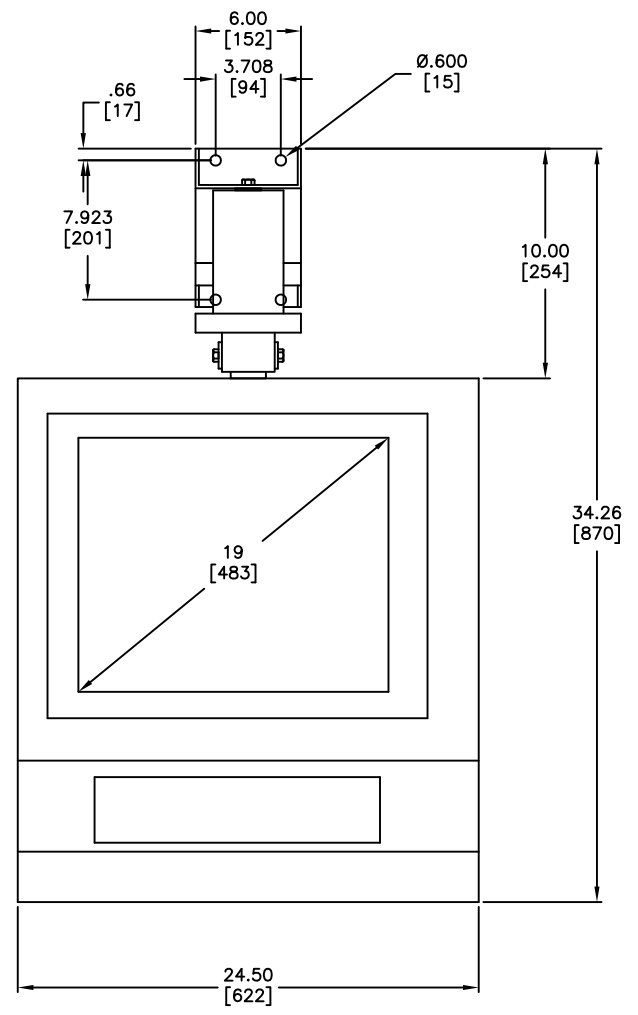
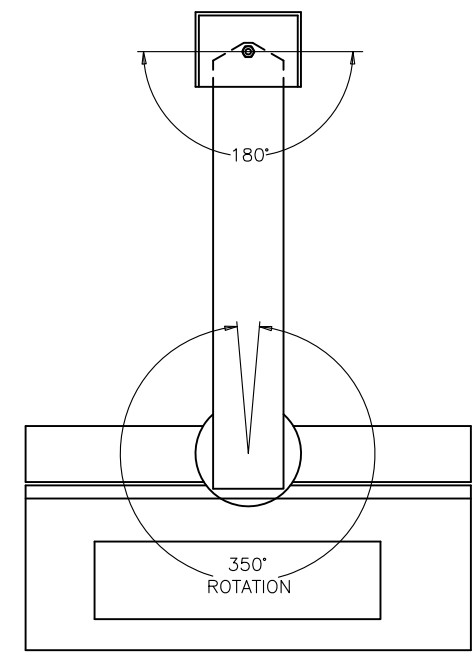


(4) QUARTER TURN FASTENERS,
DOOR HINGED ON LEFT FRONT

DRAWN	mcumbo	7/7/2009	 VARTECH SYSTEMS			
CHECKED						
QA			TITLE			
MFG			DIMENSIONAL DRAWING OF 19" TOUGHSTATION VT190ESW-A BULKHEAD MOUNT			
APPROVED			SIZE	TOLERANCES:	DWG NO	REV
			D	.XX = .03 .XXX = .015	482-0043-00	00
			SCALE		SHEET 3 OF 3	

8 7 6 5 4 3 2 1

CHANGE HISTORY		
FILE INDEX	DESCRIPTION	APPROVAL INITIAL DATE
1		
2		



-001

ITEM	QTY	MFR. PT.NO.	DESCRIPTION	SYM/NOTE
LIST OF MATERIALS				
UNLESS OTHERWISE SPECIFIED DIMENSIONS ARE IN INCHES AND APPLY BEFORE FINISH SURFACE ROUGHNESS .125/ TOLERANCE ON FRACTIONS DECIMALS ANGLES		DRAWN MLC	DATE 9/30/09	 VARTECH SYSTEMS 19" TOUGHSTATION VT190ESW ON CANTILEVERED ARM w/SWIVEL
± 1/64 ±.XX=.02 ± 1/2		CHECKED		
MATERIAL		DRAFTING		
FINISH		ENGINEER		
X USED ON APPLICATION		MANUF		SIZE D
		APPROVED		DWG NO. 482-0042-05
		QA		REV 00
			SCALE 1 : 3	SHEET 1 OF 1

8 7 6 5 4 3 2 1