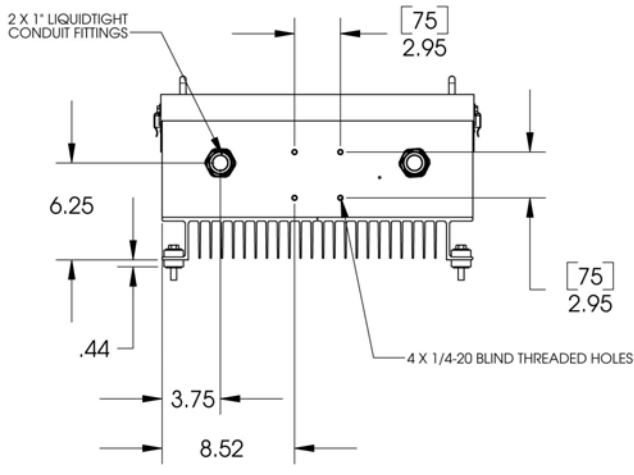
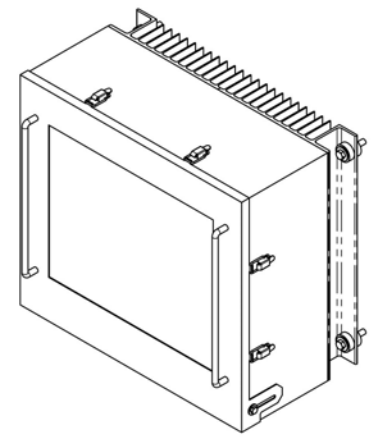
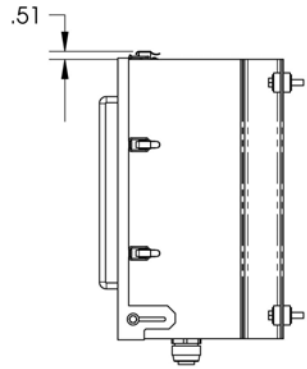
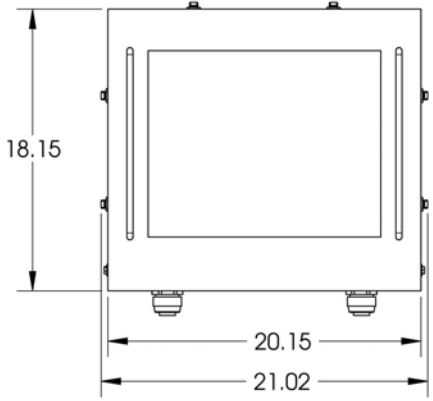
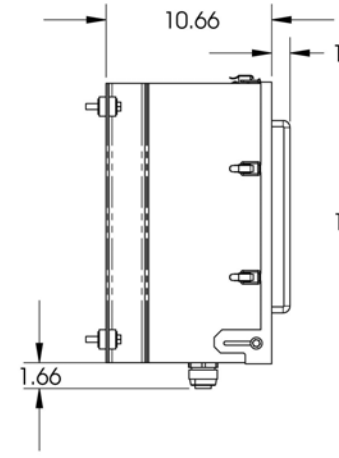
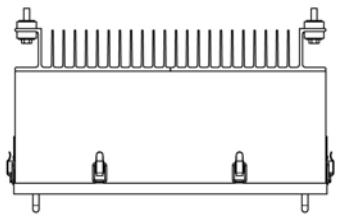


REVISIONS				
ECO	REV.	DESCRIPTION	DATE	APPROVED
	01			
	02			
	03			



UNLESS OTHERWISE SPECIFIED  
 DIMENSIONS ARE IN INCHES.  
 TOLERANCES ARE:  
 FRACTIONS DECIMALS ANGLES  
 .XX ± .03  
 .XXX ± .010  
 DO NOT SCALE DRAWING