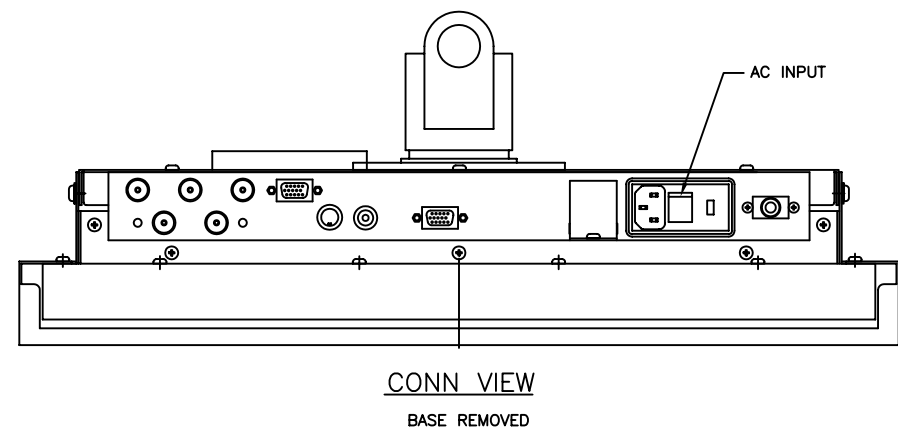
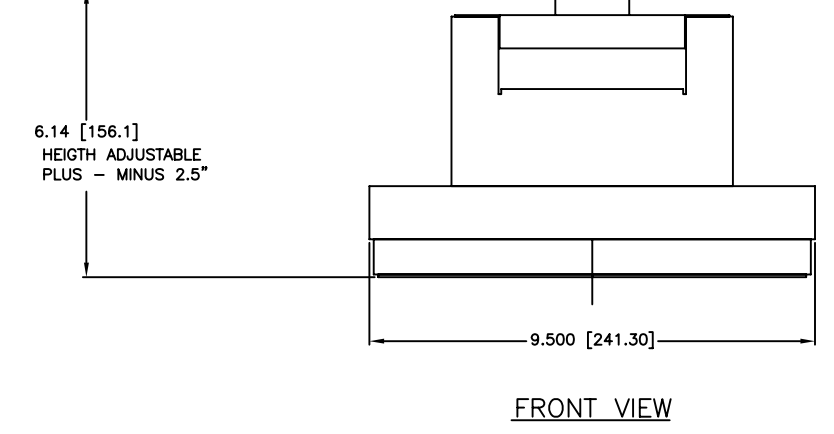
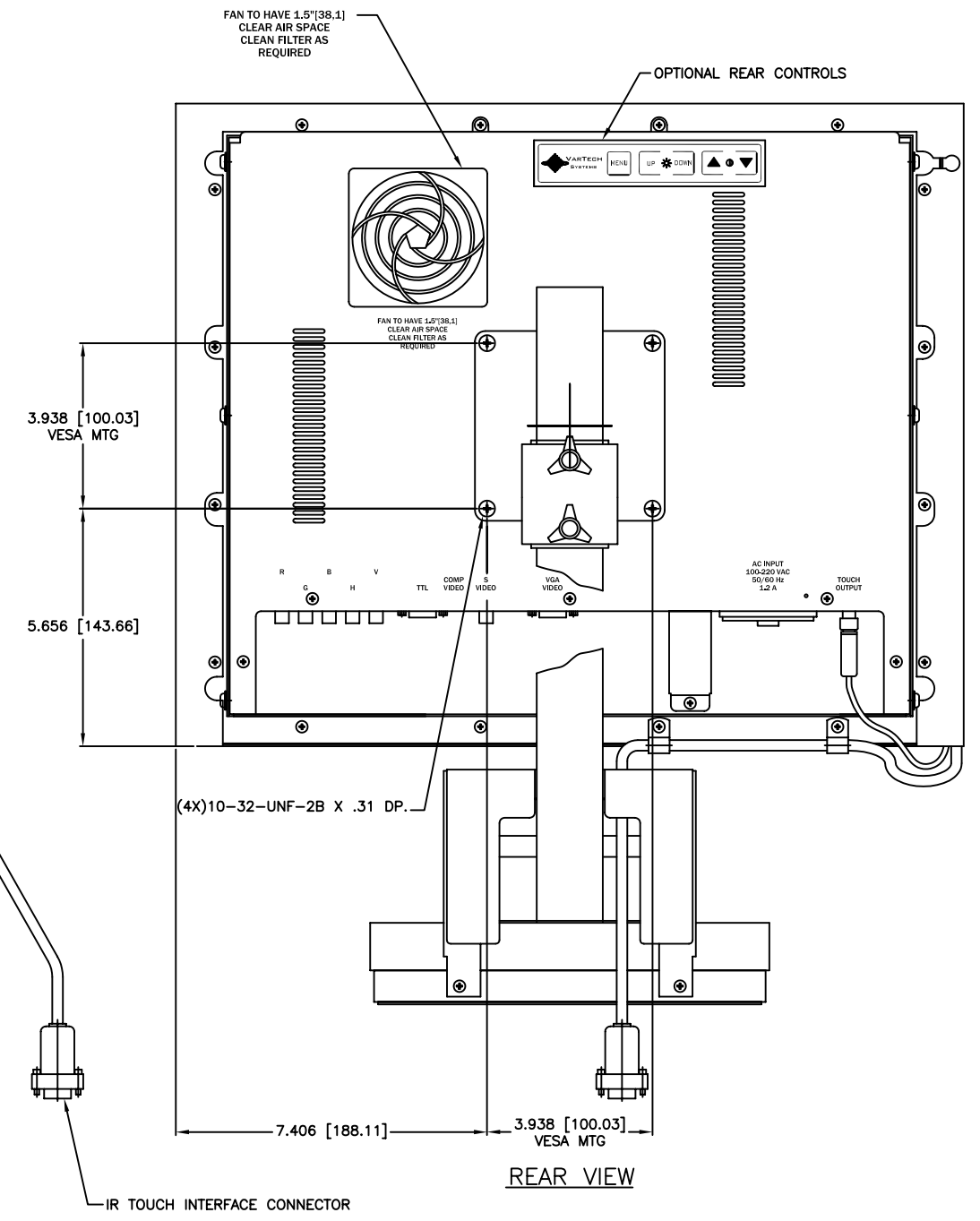
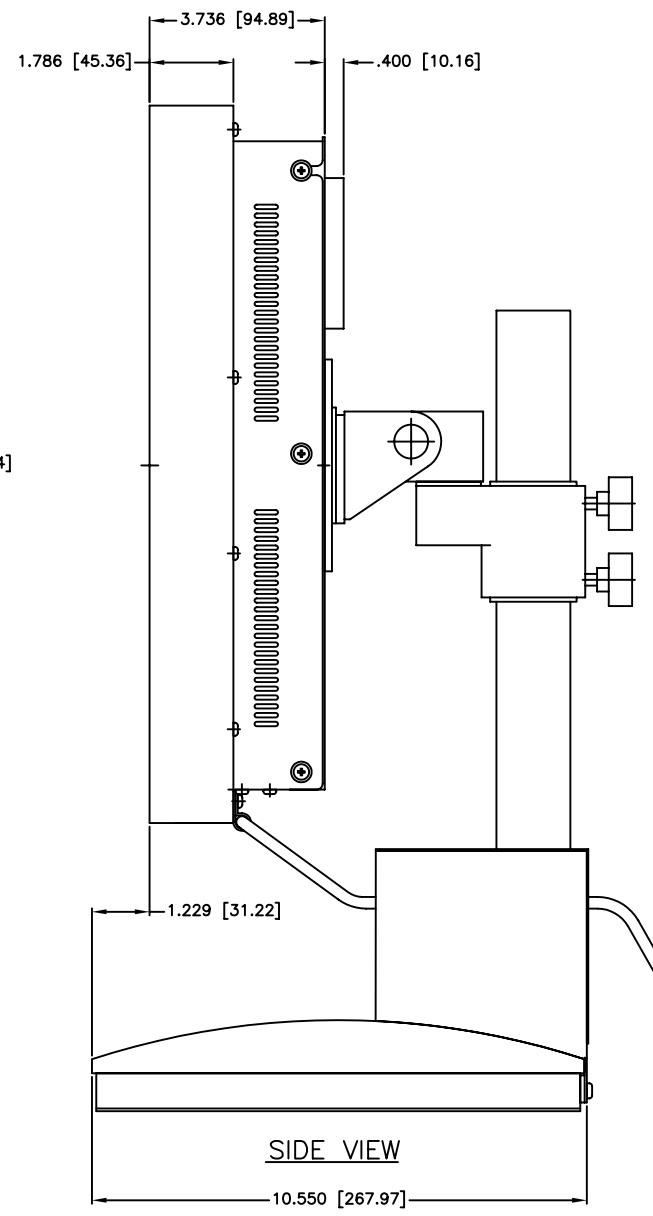
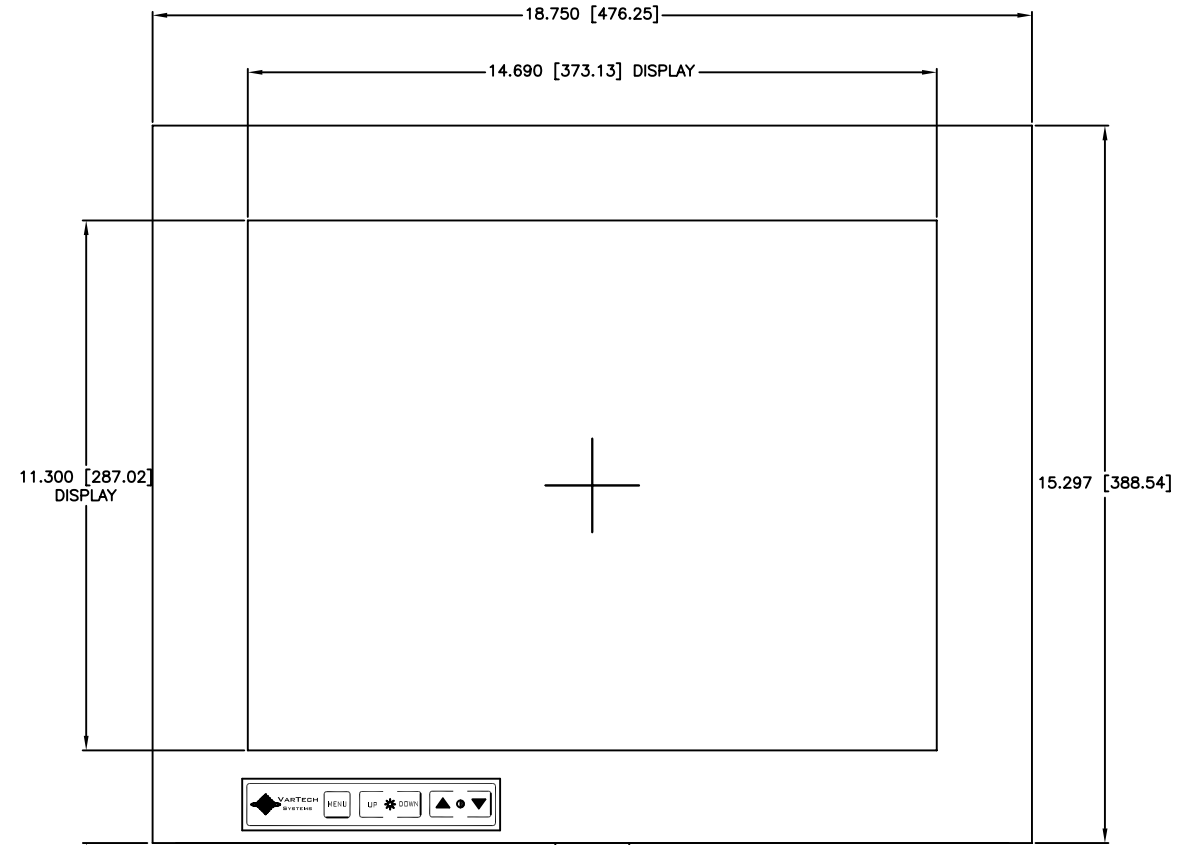


CHANGE HISTORY		
FILE INDEX	DESCRIPTION	APPROVAL INITIAL DATE
A	PRELIMINARY RELEASE	
B	REVISED PER Δ REVISED CABLE	RVJ 02/24/05



NOTES:

- ALL DIMENSIONS ARE NOMINAL AND FOR REFERENCE ONLY. THIS DRAWING SHOULD NOT BE USED FOR DESIGN PURPOSES.
- WEIGHT OF UNIT IS 50 LBS TOTAL
- UNIT WILL BE SHIPPED IN TWO BOXES. SHIPPING WEIGHT.
MONITOR - 30 LBS
BASE - 34 LBS

ITEM	QTY	MFR. PT.NO.	DESCRIPTION	SYM/NOTE
LIST OF MATERIALS				
UNLESS OTHERWISE SPECIFIED DIMENSIONS ARE IN INCHES AND APPLY BEFORE FINISH SURFACE ROUGHNESS .125/ TOLERANCE ON FRACTIONS DECIMALS ANGLES		DRAWN DATE RVJ 09/30/04		
± 1/64 ±.XX=.02 ± 1/2		CHECKED		
MATERIAL		DRAFTING		
X		ENGINEER		
X		MANUF		
VT190M1-IR		APPROVED		
USED ON		QA		
APPLICATION		X		
SIZE		DWG. NO.		REV
D		601-0136		B
SCALE 1 : 2		SHEET 1 OF 1		

