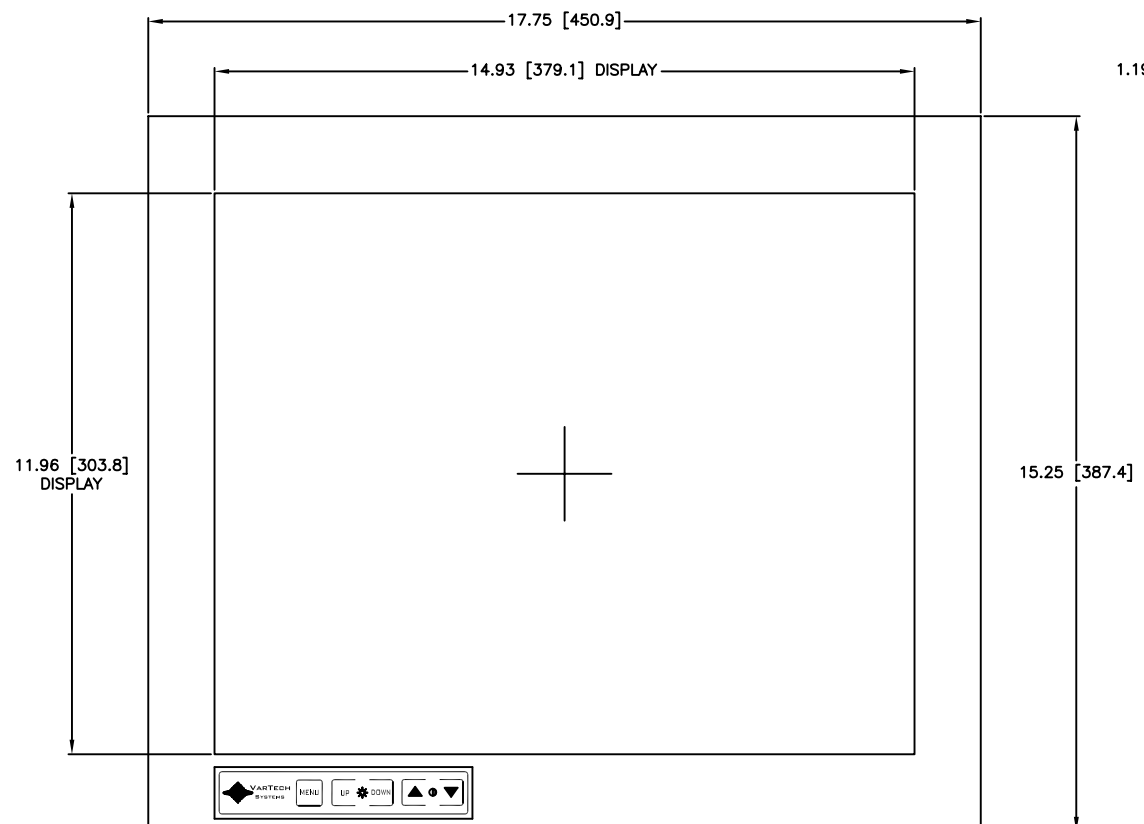
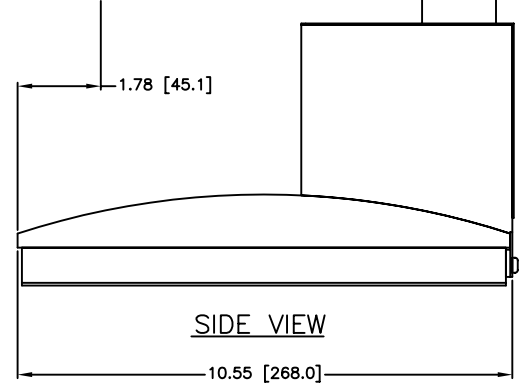
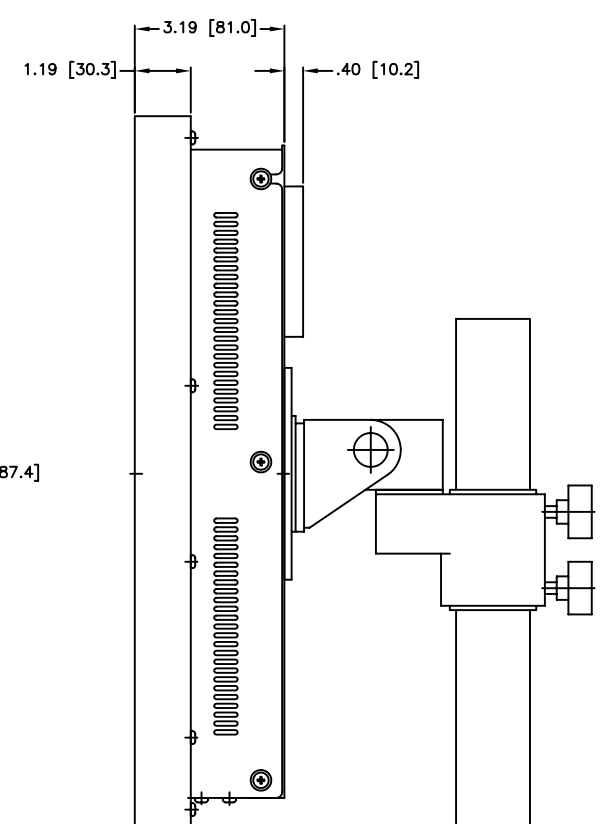


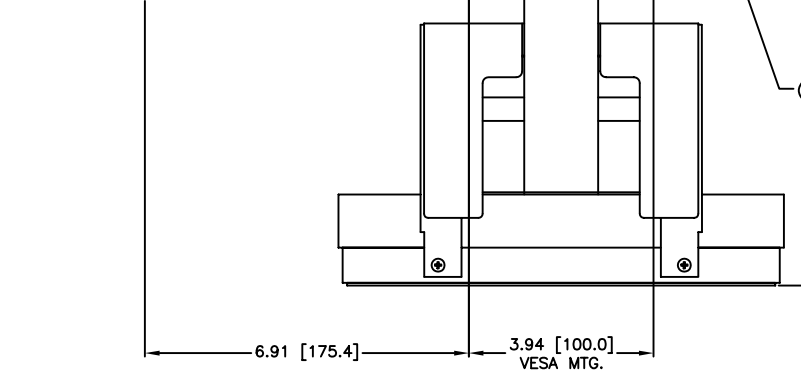
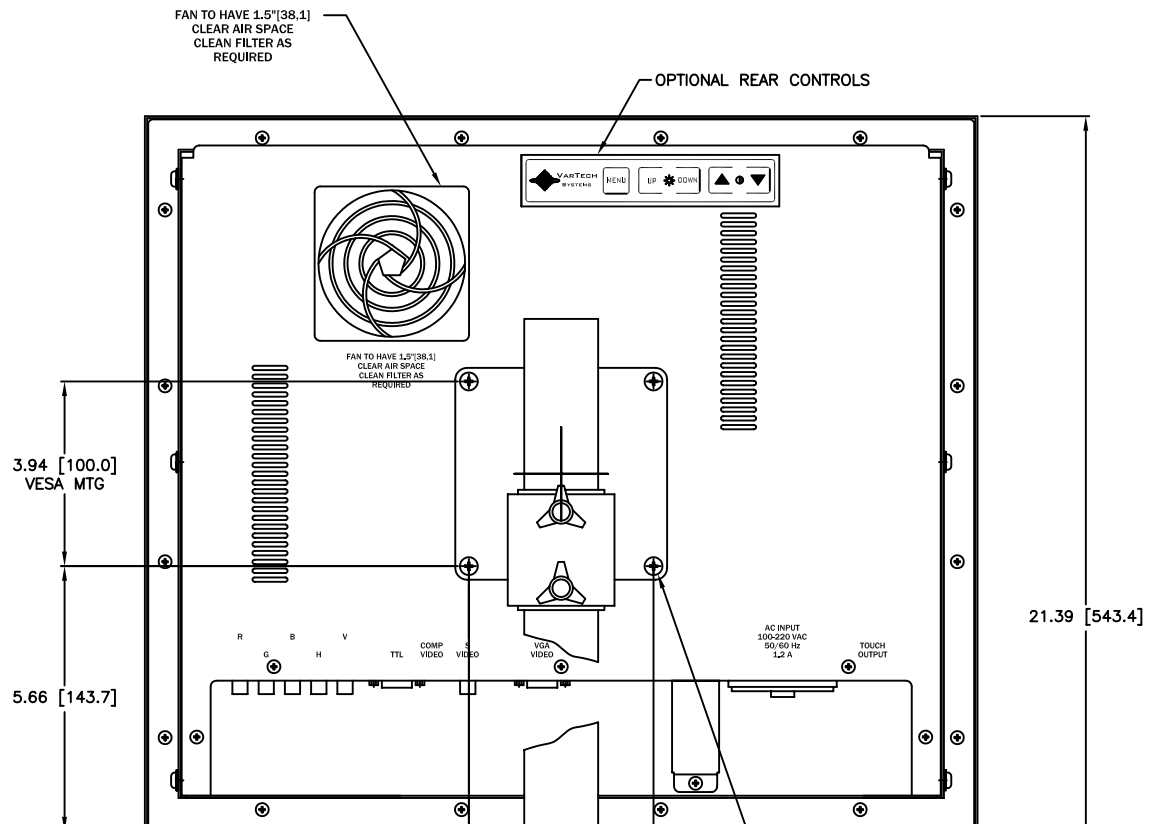
| CHANGE HISTORY |                     |                       |
|----------------|---------------------|-----------------------|
| FILE INDEX     | DESCRIPTION         | APPROVAL INITIAL DATE |
| A              | PRELIMINARY RELEASE |                       |



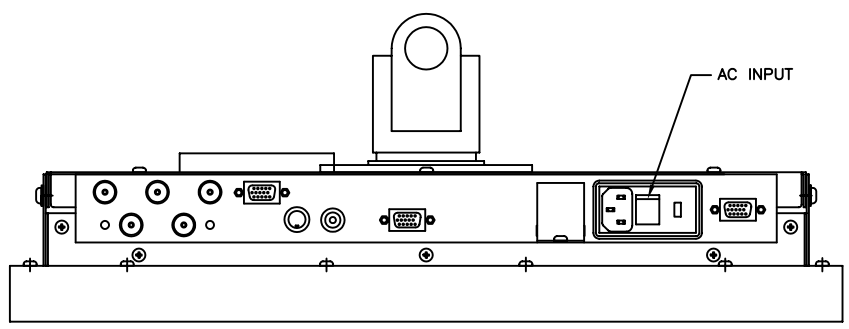
FRONT VIEW



SIDE VIEW



REAR VIEW



CONN VIEW

NOTES:  
 1- ALL DIMENSIONS ARE NOMINAL AND FOR REFERENCE ONLY. THIS DRAWING SHOULD NOT BE USED FOR DESIGN PURPOSES.  
 2- WEIGHT OF UNIT IS 50 LBS TOTAL  
 3- UNIT WILL BE SHIPPED IN TWO BOXES. SHIPPING WEIGHT.  
 MONITOR - 30 LBS  
 BASE - 34 LBS

| ITEM   | QTY    | MFR. PT.NO.             | DESCRIPTION  | SYM/NOTE               |
|--|--------|-------------------------|--------------|------------------------|
| LIST OF MATERIALS  |        |                         |              |                        |
| UNLESS OTHERWISE SPECIFIED DIMENSIONS ARE IN INCHES AND APPLY BEFORE FINISH SURFACE ROUGHNESS .125/ TOLERANCE ON FRACTIONS   DECIMALS   ANGLES |        | DRAWN RKH DATE 08/17/04 |              | <b>VARTECH SYSTEMS</b> |
| ± 1/64   ± .XX=.02   ± 1/2   |        | CHECKED                 |              |                        |
| MATERIAL X   |        | DRAFTING                |              |                        |
| X  |        | ENGINEER                |              |                        |
| VT190M1  | FINISH | MANUF                   | APPROVED     | SIZE D                 |
| USED ON  |        | QA                      |              | DWG NO. 601-0132       |
| APPLICATION  | X      |                         |              | REV A                  |
| SCALE 1 : 2  |        |                         | SHEET 1 OF 1 |                        |