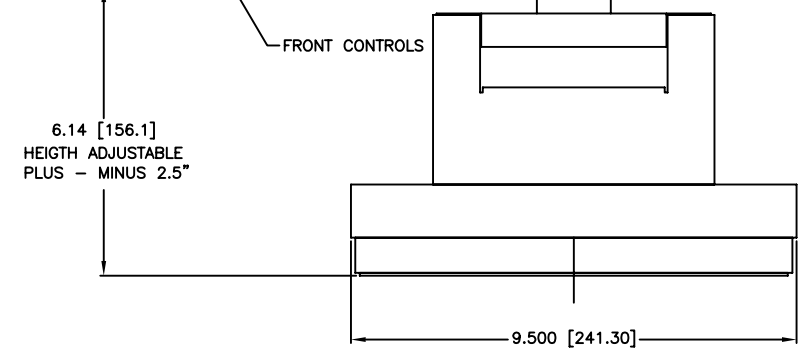
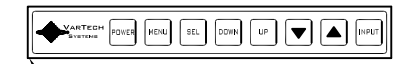
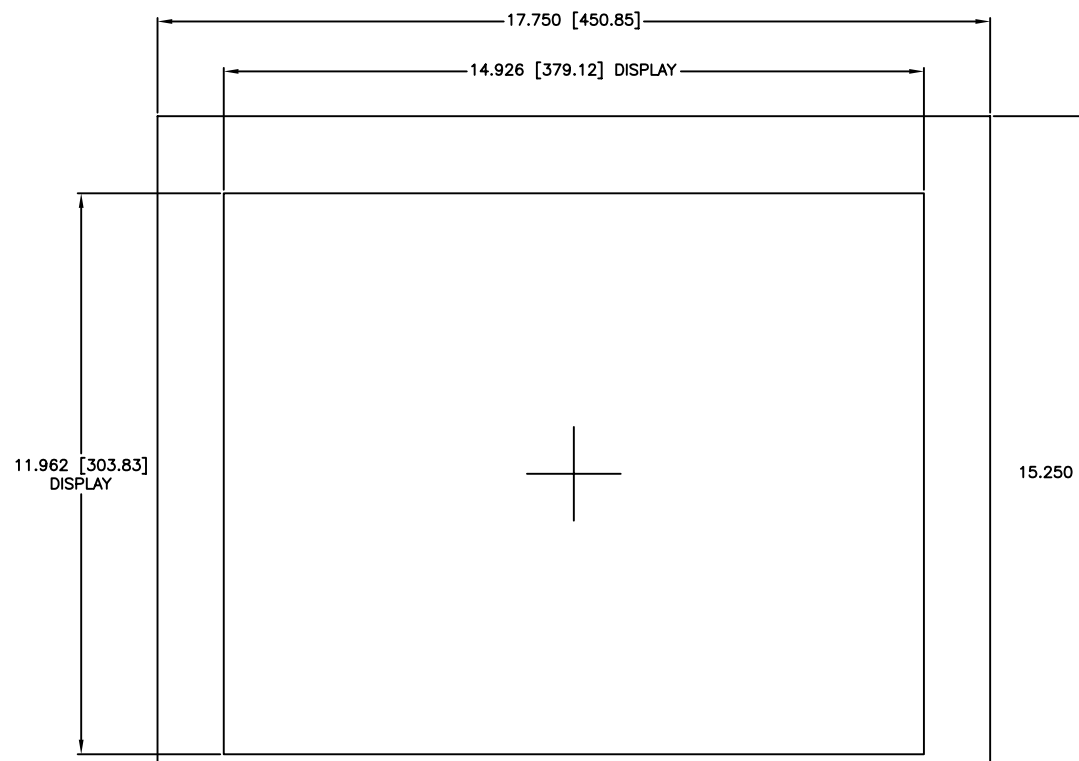
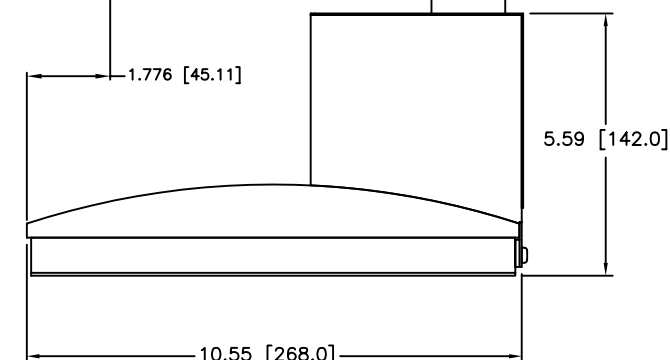
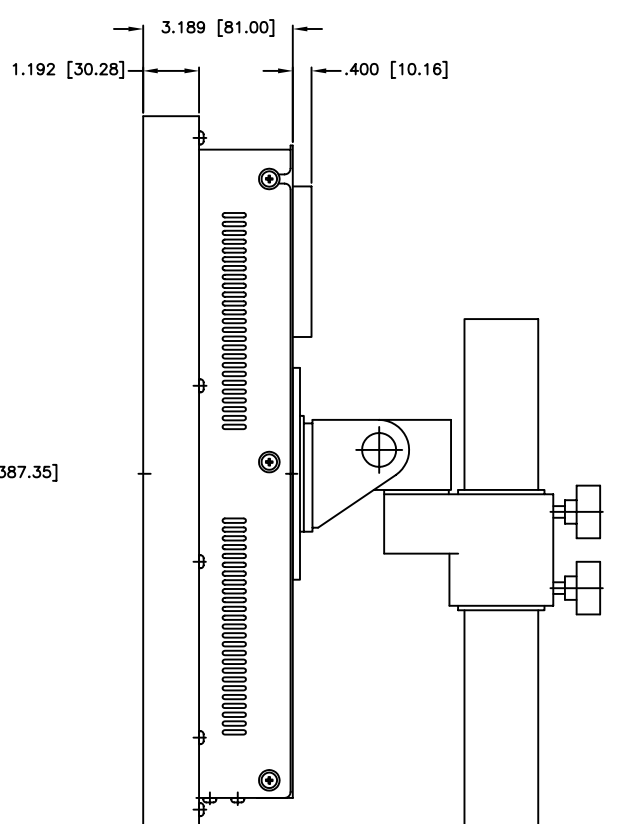


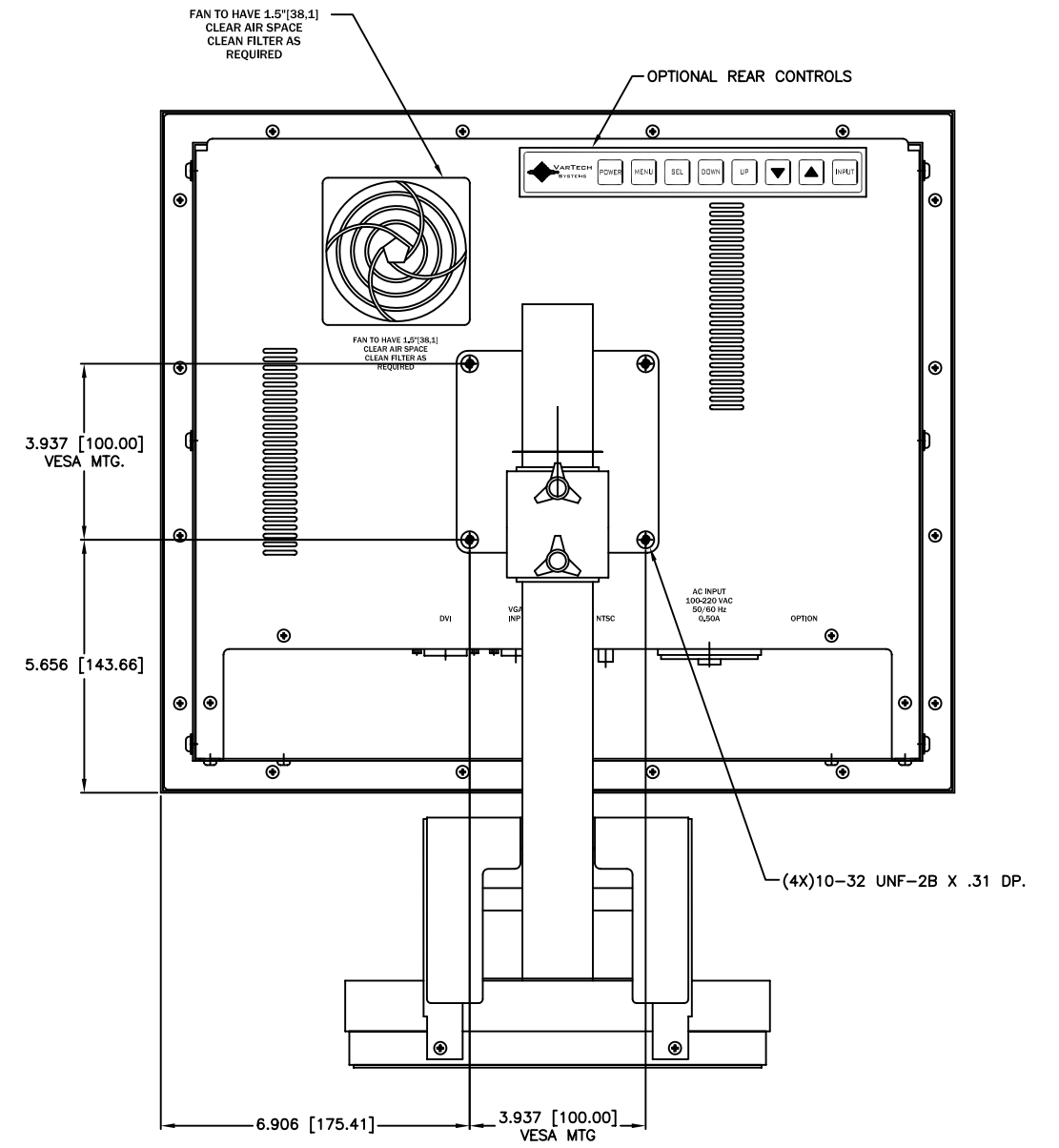
CHANGE HISTORY		
FILE INDEX	DESCRIPTION	APPROVAL INITIAL DATE
A	PRELIMINARY RELEASE	



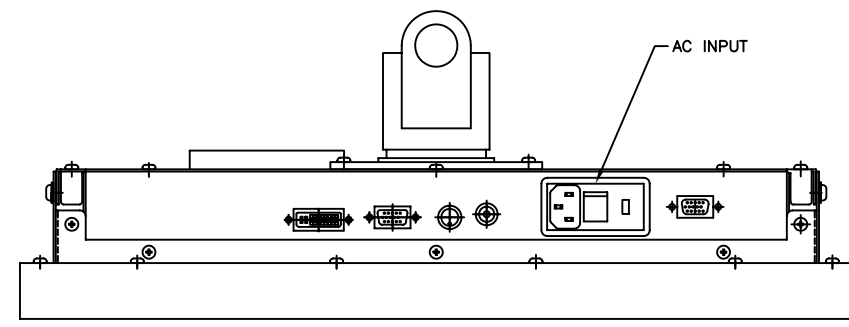
FRONT VIEW



SIDE VIEW



REAR VIEW



CONN VIEW
BASE REMOVED

- NOTES:
- 1- ALL DIMENSIONS ARE NOMINAL AND FOR REFERENCE ONLY. THIS DRAWING SHOULD NOT BE USED FOR DESIGN PURPOSES.
 - 2- WEIGHT OF UNIT IS 50 LBS TOTAL
 - 3- UNIT WILL BE SHIPPED IN TWO BOXES. SHIPPING WEIGHT.
MONITOR - 30 LBS
BASE - 34 LBS

ITEM	QTY	MFR. PT.NO.	DESCRIPTION	SYM/NOTE
LIST OF MATERIALS				
UNLESS OTHERWISE SPECIFIED DIMENSIONS ARE IN INCHES AND APPLY BEFORE FINISH SURFACE ROUGHNESS .125/ TOLERANCE ON FRACTIONS DECIMALS ANGLES		DRAWN RKH DATE 02/24/05		VARTECH SYSTEMS
± 1/64 ±.XX=.02 ± 1/2		CHECKED		
MATERIAL X		DRAFTING		
X		ENGINEER		
VT190M		MANUF		OUTLINE DRAWING VT190M
USED ON		APPROVED		
APPLICATION X		QA		
SIZE D		DWG NO. 601-0159		REV A
SCALE 1 : 2		SHEET 1 OF 1		