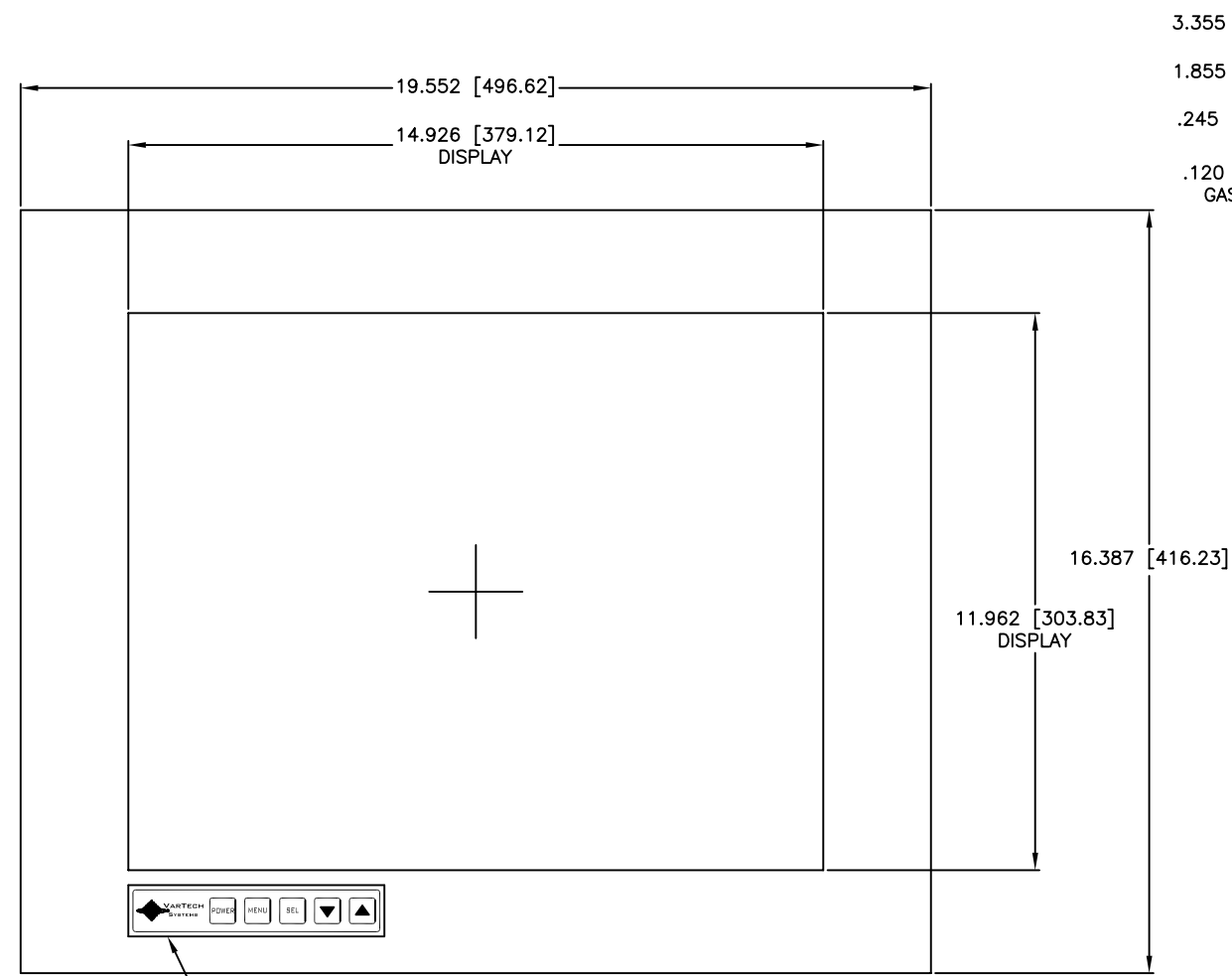
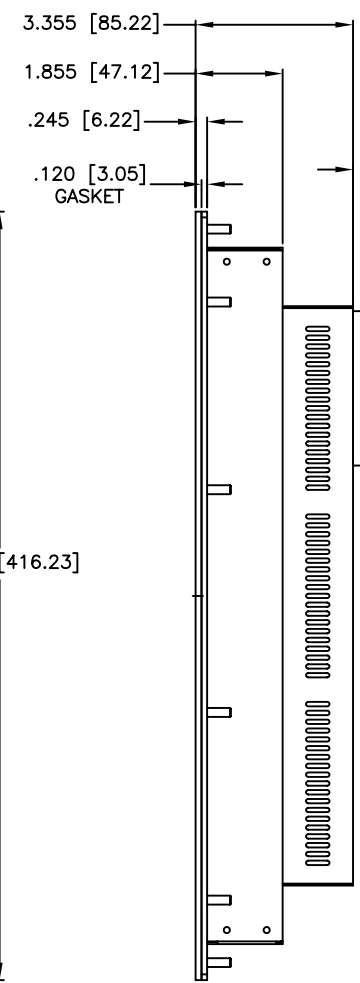


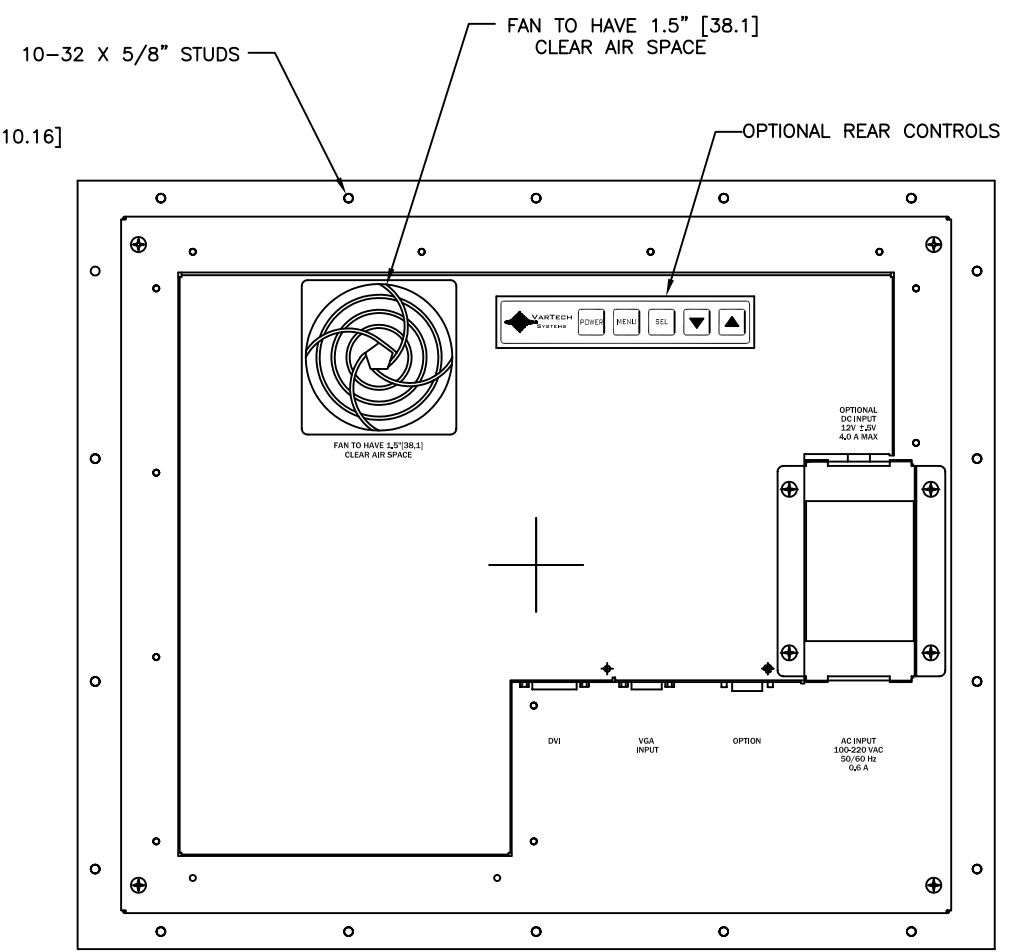
CHANGE HISTORY		
FILE INDEX	DESCRIPTION	APPROVAL INITIAL DATE
A	PRELIMINARY RELEASE	
B	REVISED PER Δ ADDED FAN GUARD AND DIMENSIONS	JHB 03/14/05



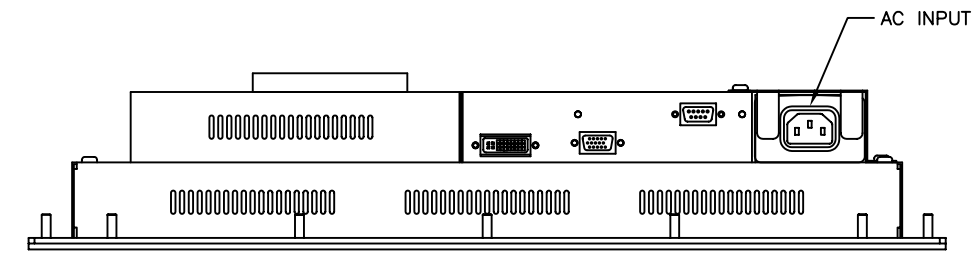
FRONT VIEW



SIDE VIEW



REAR VIEW



BOTTOM VIEW

- NOTES:
1. ALL DIMENSIONS ARE NOMINAL AND FOR REFERENCE ONLY. THIS DRAWING SHOULD NOT BE USED FOR DESIGN PURPOSES.
 2. WEIGHT OF UNIT IS 22 LBS.
 3. SHIPPING WEIGHT OF UNIT IS 31 LBS.

ITEM	QTY	MFR. PT.NO.	DESCRIPTION	SYM/NOTE
LIST OF MATERIALS				
UNLESS OTHERWISE SPECIFIED DIMENSIONS ARE IN INCHES AND APPLY BEFORE FINISH SURFACE ROUGHNESS .125/ TOLERANCE ON FRACTIONS DECIMALS ANGLES $\pm \frac{1}{64}$ $\pm .XX=.02$ $\pm \frac{1}{2}$ $\pm .XXX=.005$		DRAWN DMS	DATE 7/19/04	 VARTECH SYSTEMS OUTLINE DRAWING VT190PC COLORVIEW
MATERIAL		CHECKED		
FINISH		DRAFTING		
APPLICATION		ENGINEER		
		MANUF		
		APPROVED		SIZE D
		QA		DWG NO. 601-0120
				REV B
			SCALE 1 : 2	SHEET 1 OF 2

