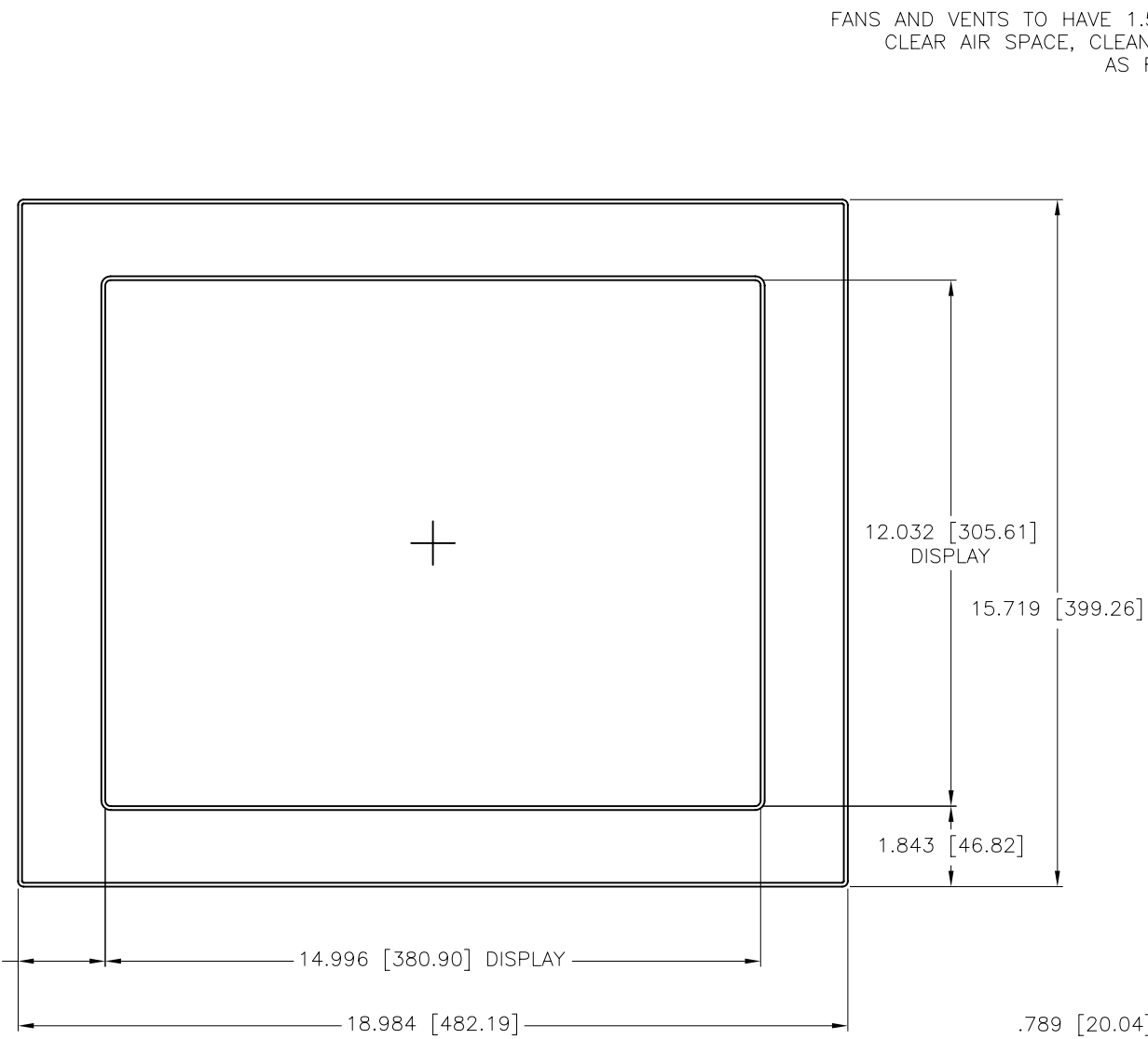
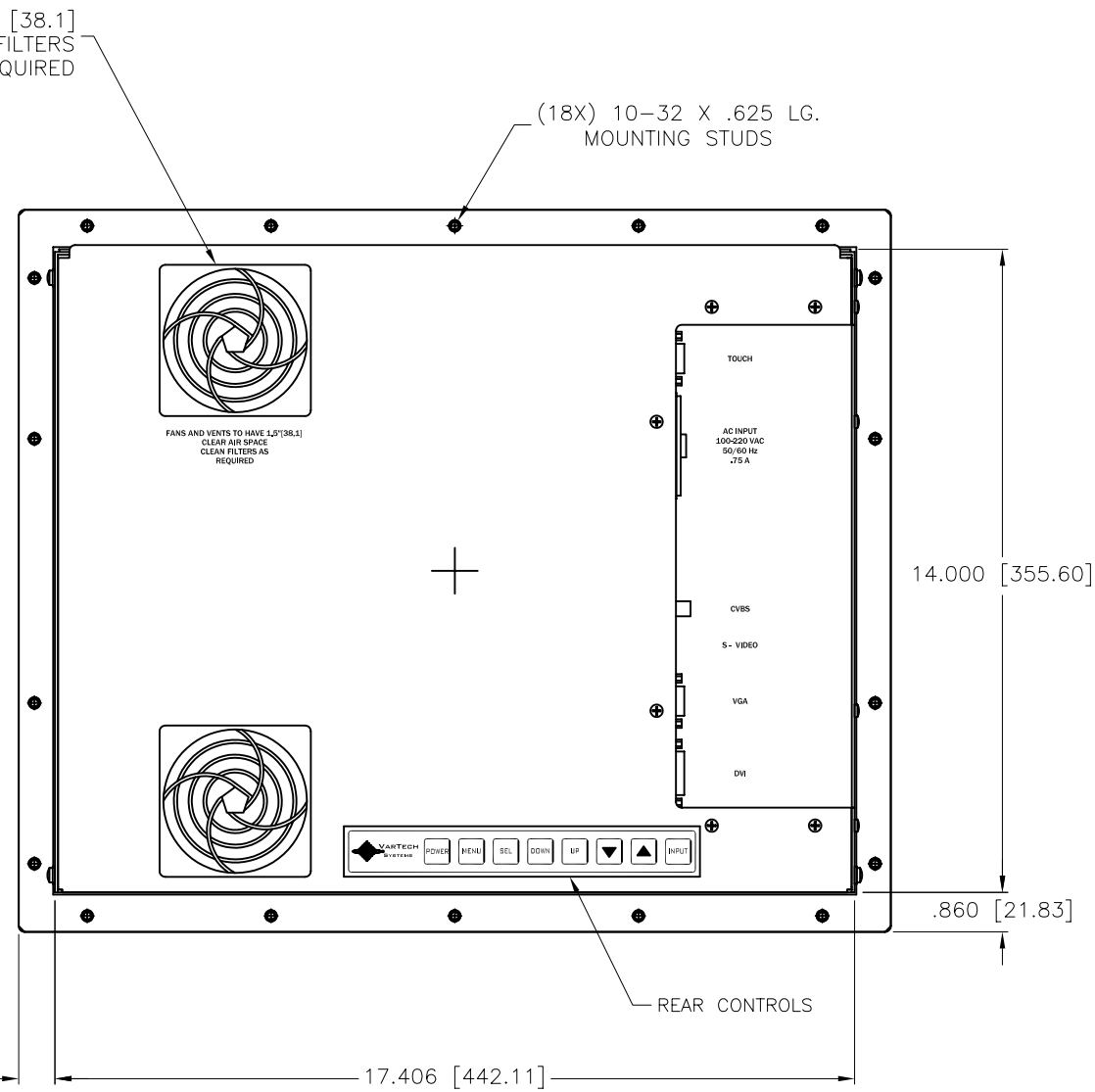


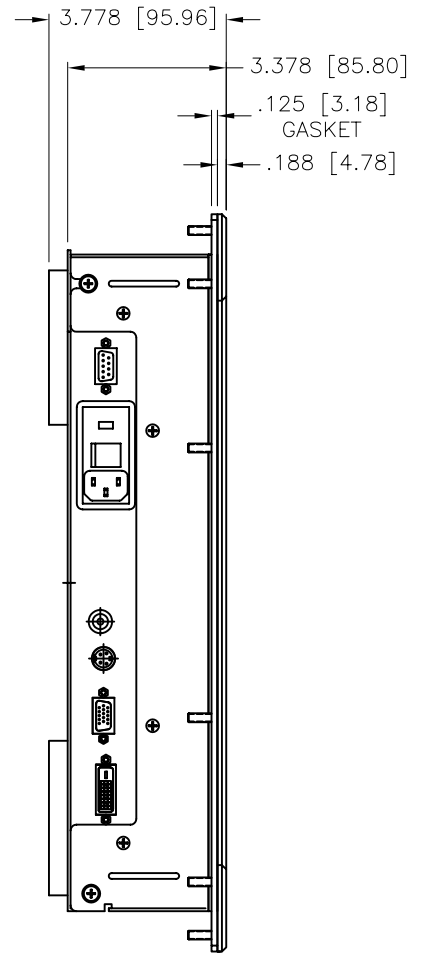
| CHANGE HISTORY | | |
|----------------|---------------------|-----------------------|
| FILE INDEX | DESCRIPTION | APPROVAL INITIAL DATE |
| 1 | PRELIMINARY RELEASE | |



FRONT VIEW



REAR VIEW



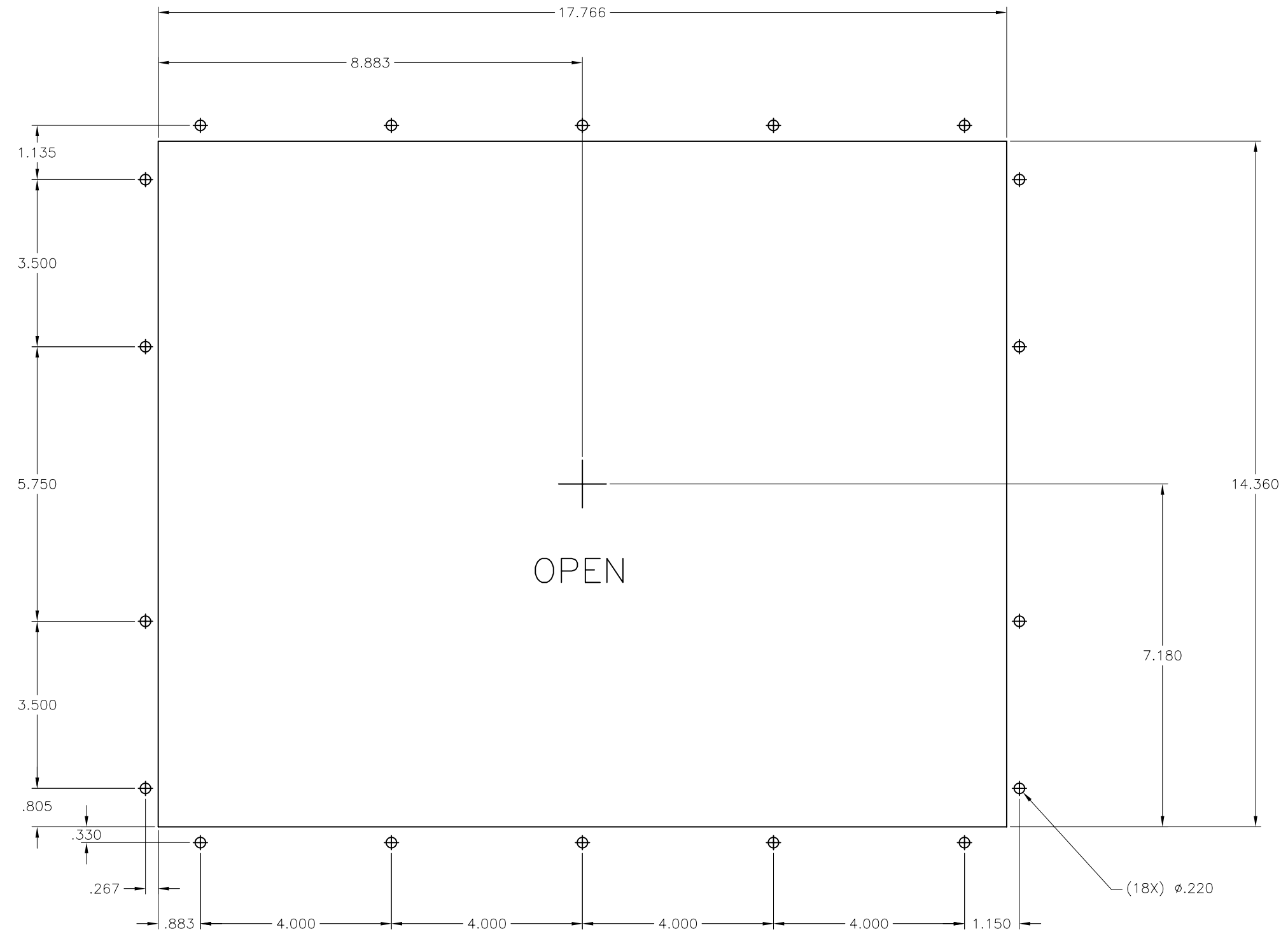
CONNECTOR VIEW

- NOTES:
1. ALL DIMENSIONS ARE NOMINAL AND FOR REFERENCE ONLY. THIS DRAWING SHOULD NOT BE USED FOR DESIGN PURPOSES.
 2. WEIGHT OF UNIT IS 26 LBS.
 3. SHIPPING WEIGHT OF UNIT IS 31 LBS.

| ITEM | QTY | MFR. PT.NO. | DESCRIPTION | SYM/NOTE |
|---|-----|--------------------|-------------|--|
| LIST OF MATERIALS | | | | |
| UNLESS OTHERWISE SPECIFIED DIMENSIONS ARE IN INCHES AND APPLY BEFORE FINISH SURFACE ROUGHNESS .125 TOLERANCE ON FRACTIONS DECIMALS ANGLES | | DRAWN DMS 12/21/05 | | VARTECH SYSTEMS |
| | | CHECKED | | |
| | | DRAFTING | | |
| | | ENGINEER | | |
| MATERIAL | | MANUF | | OUTLINE DRAWING VT190PHB (SS) |
| FINISH | | APPROVED | | |
| APPLICATION | | QA | | |
| VT190PHB (SS) | | | SIZE D | DWG NO. 601-0207 |
| USED ON | | | SCALE 1 : 2 | REV 1 |
| | | | | SHEET 1 OF 2 |

8 7 6 5 4 3 2 1

| CHANGE HISTORY | | |
|----------------|---------------------|-----------------------|
| FILE INDEX | DESCRIPTION | APPROVAL INITIAL DATE |
| 1 | PRELIMINARY RELEASE | |



OPEN

(18X) ϕ .220

PANEL CUTOUT

| ITEM | QTY | MFR. PT.NO. | DESCRIPTION | SYM/NOTE |
|--|--------|-------------|--------------|--|
| LIST OF MATERIALS | | | | |
| UNLESS OTHERWISE SPECIFIED DIMENSIONS ARE IN INCHES AND APPLY BEFORE FINISH SURFACE ROUGHNESS .125/ TOLERANCE ON FRACTIONS DECIMALS ANGLES | | DRAWN | DATE | VARTECH SYSTEMS OUTLINE DRAWING VT190PHB (SS) |
| ± 1/64 ±.XX=.02 ± 1/2 | | CHECKED | 12/22/05 | |
| | | DRAFTING | | |
| | | ENGINEER | | |
| MATERIAL | | MANUF | | SIZE |
| VT170PHB | FINISH | APPROVED | | D |
| USED ON | | QA | | DWG NO. |
| APPLICATION | | | | 601-0207 |
| | | | | REV |
| | | | | 1 |
| SCALE 1 : 1.25 | | | SHEET 2 OF 2 | |

8 7 6 5 4 3 2 1

FILE NUMBER: 6010207B-R1