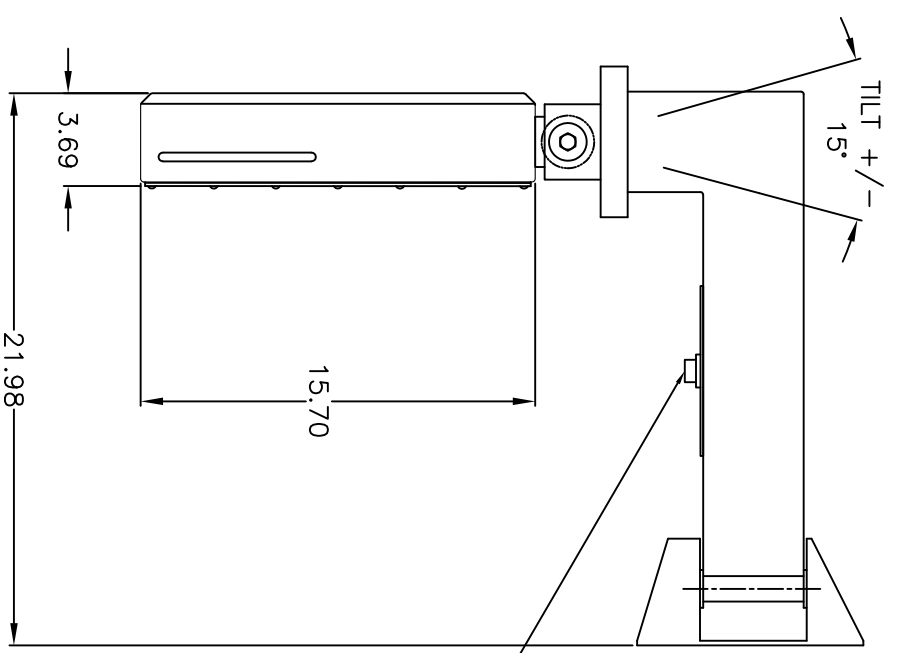
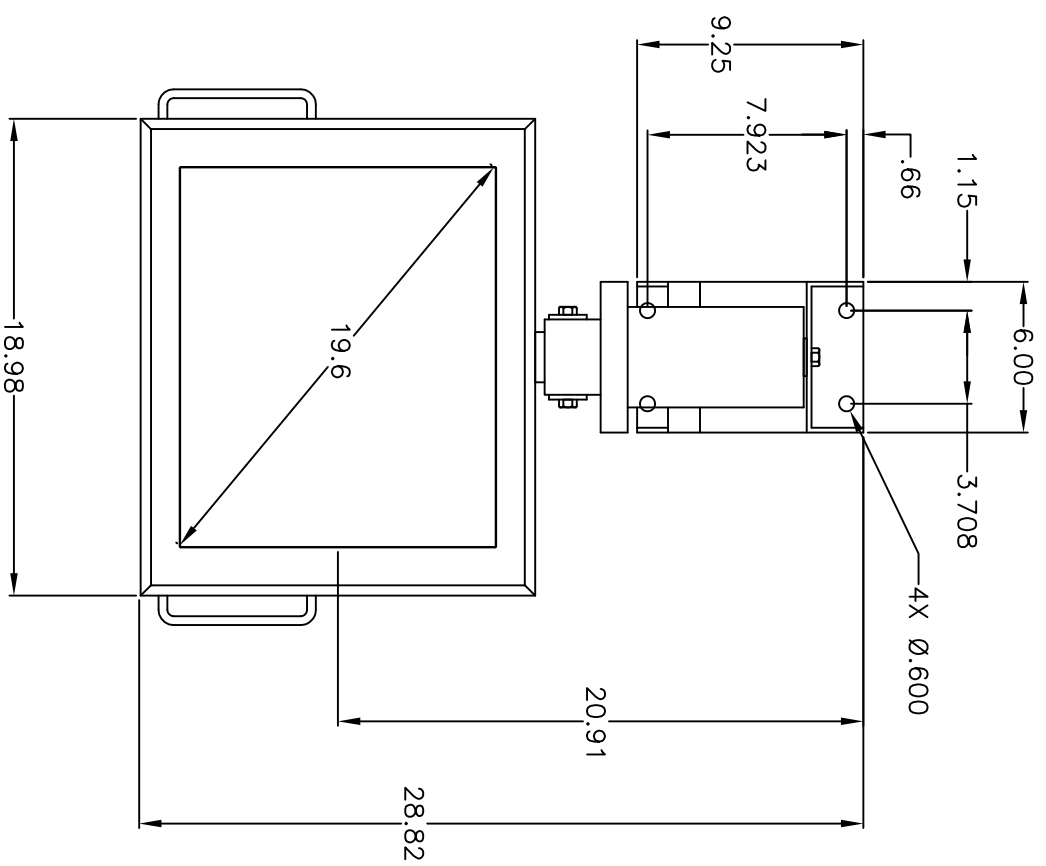
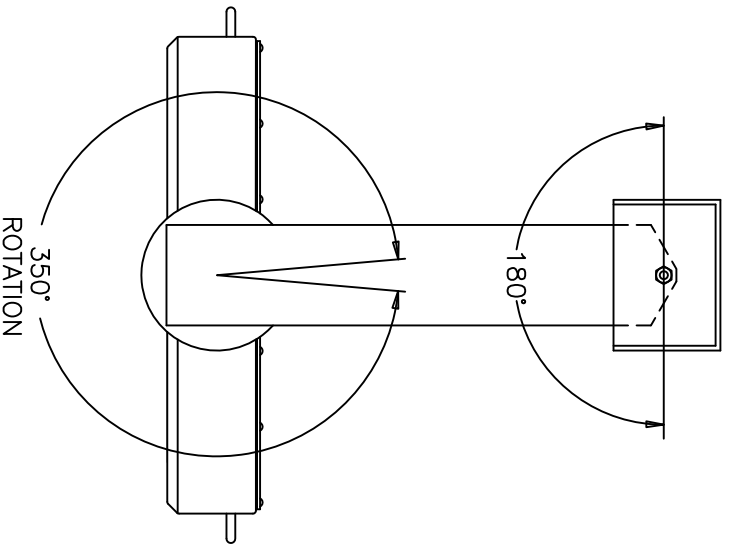


CHANGE HISTORY		APPROVAL DATE
FILE INDEX	DESCRIPTION	INITIAL



CABLE GLAND MOUNTED ON REMOVABLE PLATE

ITEM	QTY	MFR. PT.NO.	DESCRIPTION	SYM/NOTE
LIST OF MATERIALS				
UNLESS OTHERWISE SPECIFIED DIMENSIONS ARE IN INCHES AND APPLY BEFORE FINISH. SURFACE ROUGHNESS .125/ TOLERANCE ON DECIMALS ANGLES FRACTIONS DECIMALS ANGLES ± 1/84 ±.XX=.02 ± 1/2 ±.XXX=.005 ± 1/2				
USED ON	FINISH	DRAWN NM	CHECKED	DRAFTING ENGINEER
APPLICATION	MATERIAL	MANUF	APPROVED	QA



VT190PVS CUSTOM
W/VT9492

SIZE	DWG NO.	REV
D	482-0033-00	00
SCALE	SHEET	1 OF 1

FILE NUMBER:	482-0033-00-00
--------------	----------------