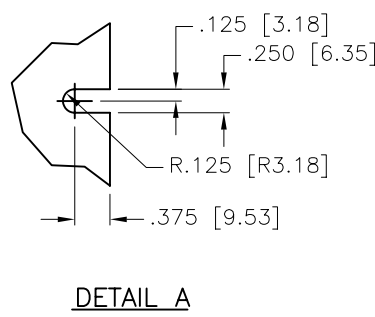
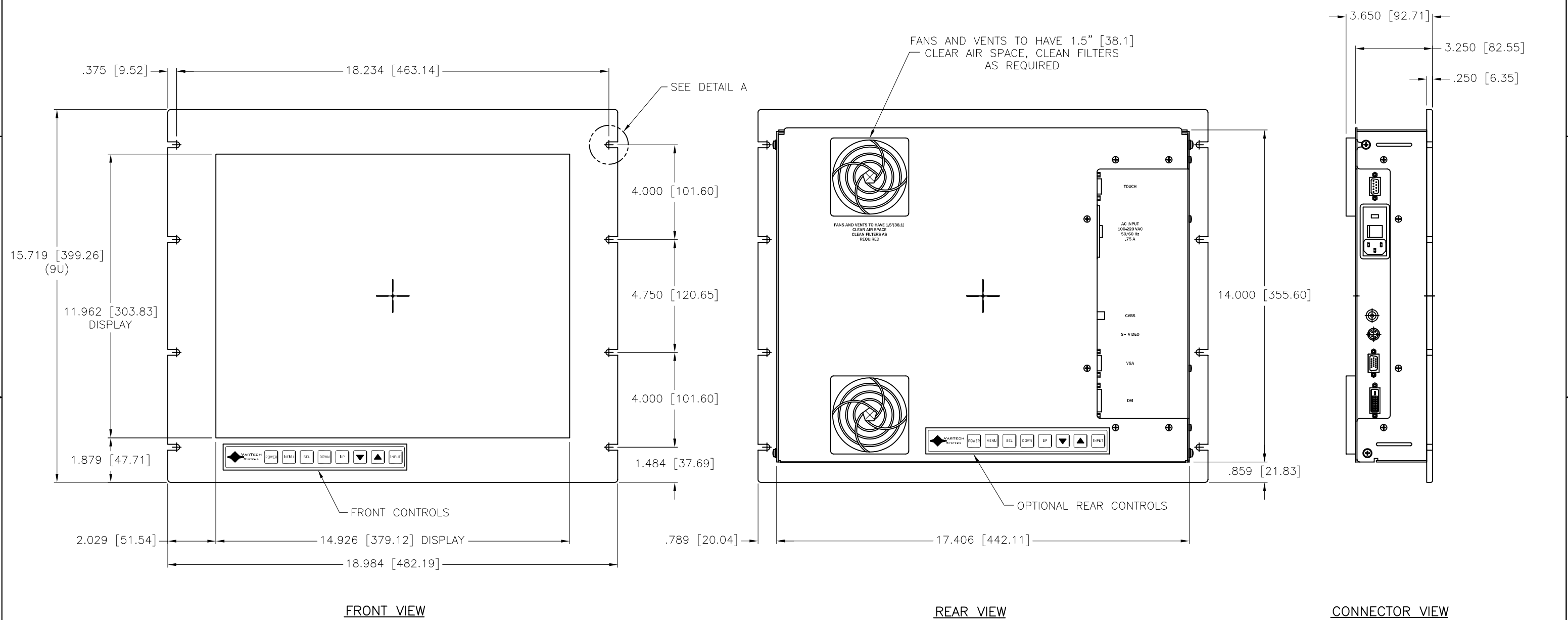


CHANGE HISTORY		
FILE INDEX	DESCRIPTION	APPROVAL INITIAL DATE
1	PRELIMINARY RELEASE	



- NOTES:**
1. ALL DIMENSIONS ARE NOMINAL AND FOR REFERENCE ONLY. THIS DRAWING SHOULD NOT BE USED FOR DESIGN PURPOSES.
  2. WEIGHT OF UNIT IS 24 LBS.
  3. SHIPPING WEIGHT OF UNIT IS 29 LBS.

ITEM	QTY	MFR. PT.NO.	DESCRIPTION	SYM/NOTE
LIST OF MATERIALS				
UNLESS OTHERWISE SPECIFIED DIMENSIONS ARE IN INCHES AND APPLY BEFORE FINISH SURFACE ROUGHNESS .125/ TOLERANCE ON FRACTIONS   DECIMALS   ANGLES		DRAWN DATE DMS 12/27/05		<b>VARTECH SYSTEMS</b>
± 1/64   ±.XX=.02   ± 1/2		CHECKED		
MATERIAL		DRAFTING		
FINISH		ENGINEER		
VT190RHB USED ON APPLICATION		MANUF		OUTLINE DRAWING VT190RHB (9U)
		APPROVED		
		QA		
		SIZE D	DWG NO. 601-0210	REV 1
SCALE 1 : 2			SHEET 1 OF 1	