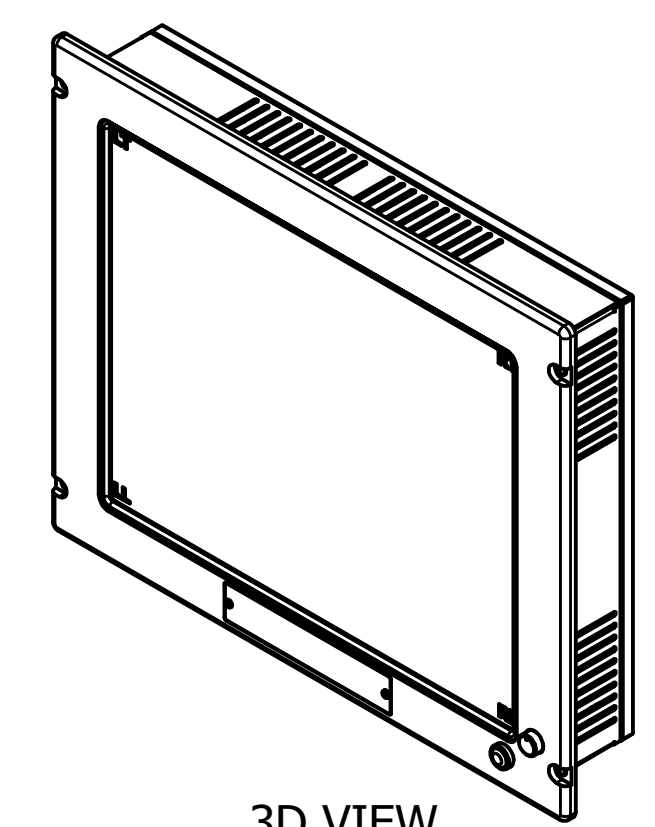
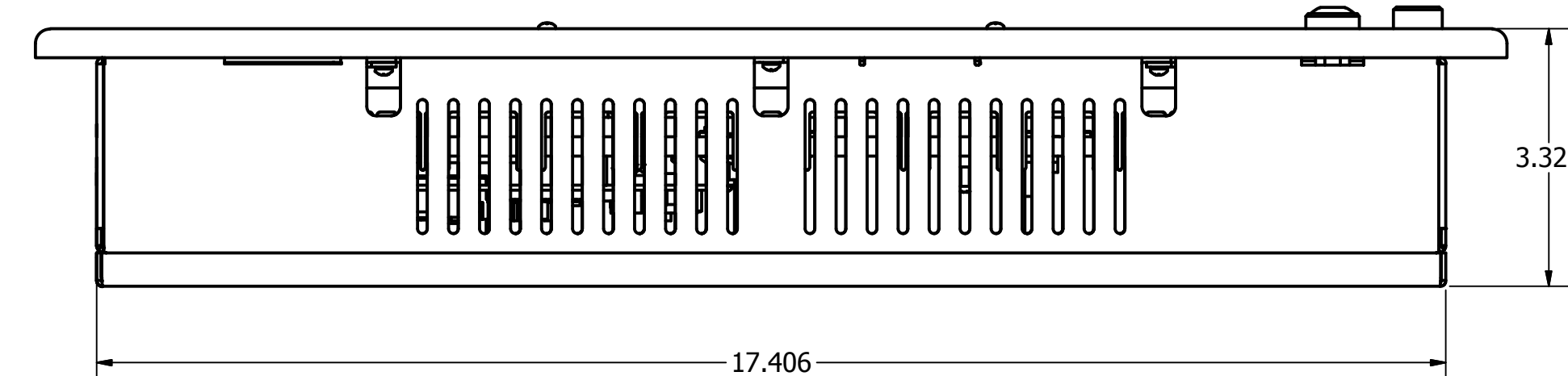
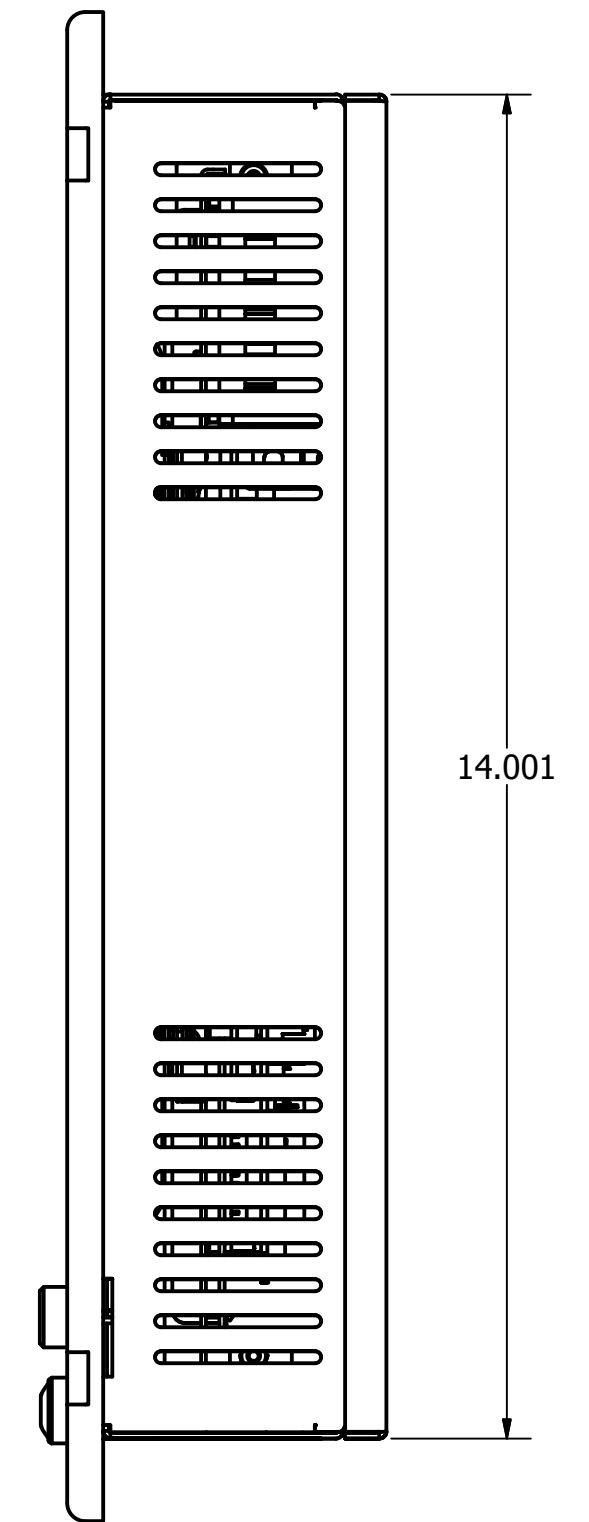
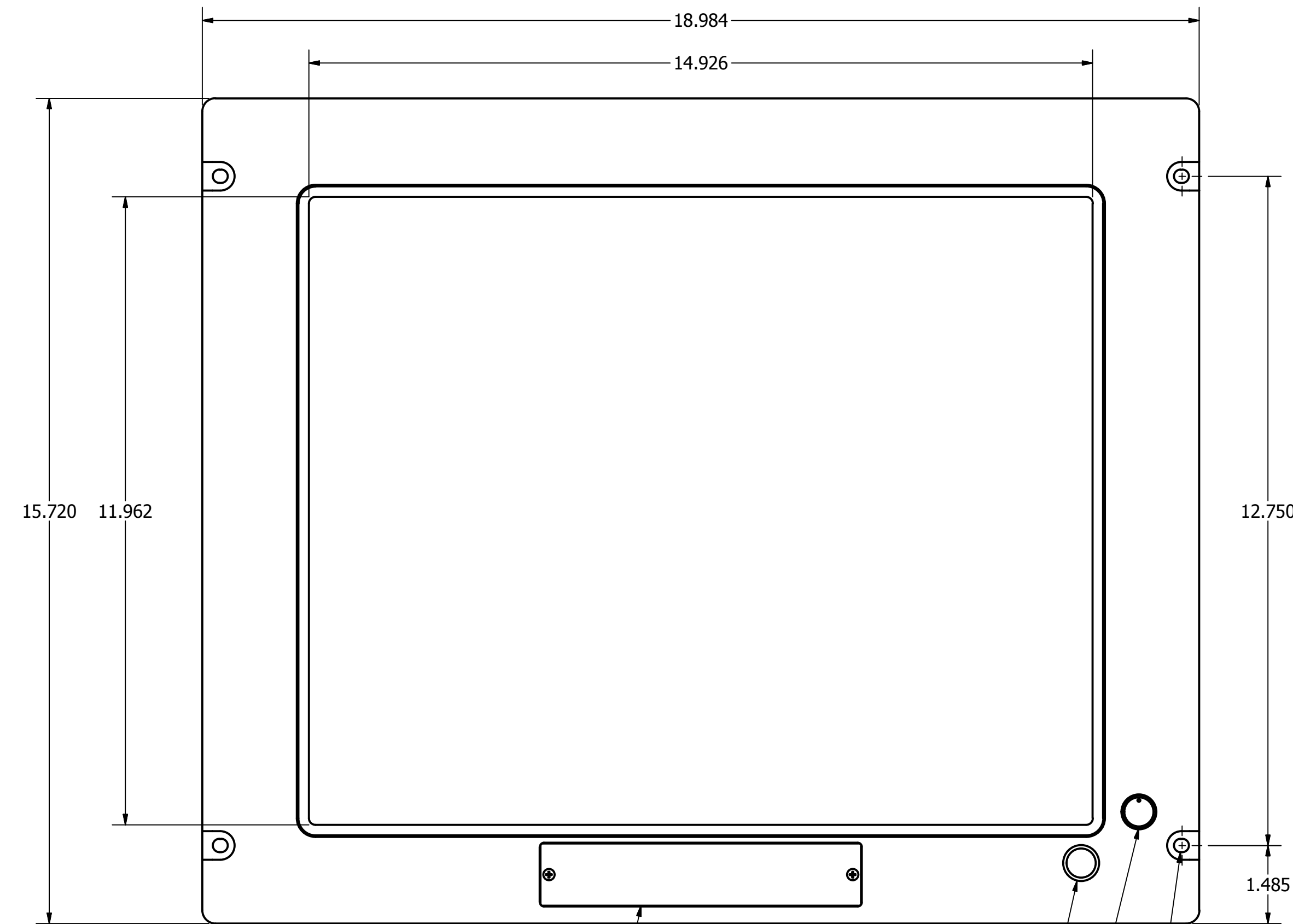
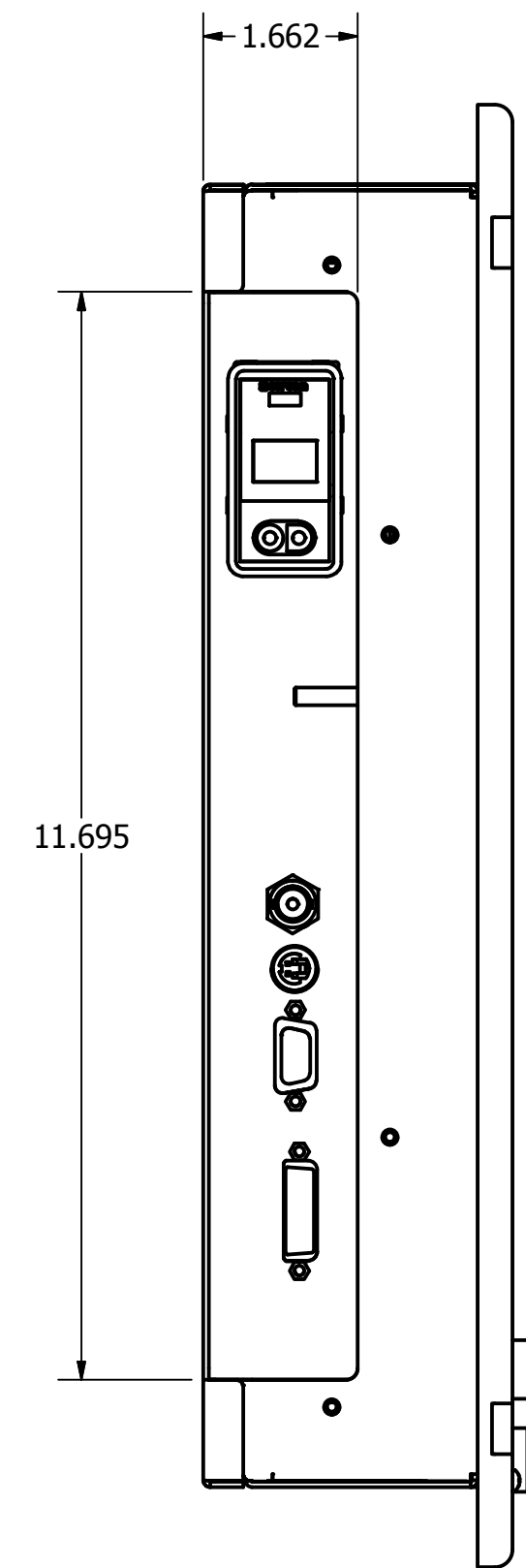
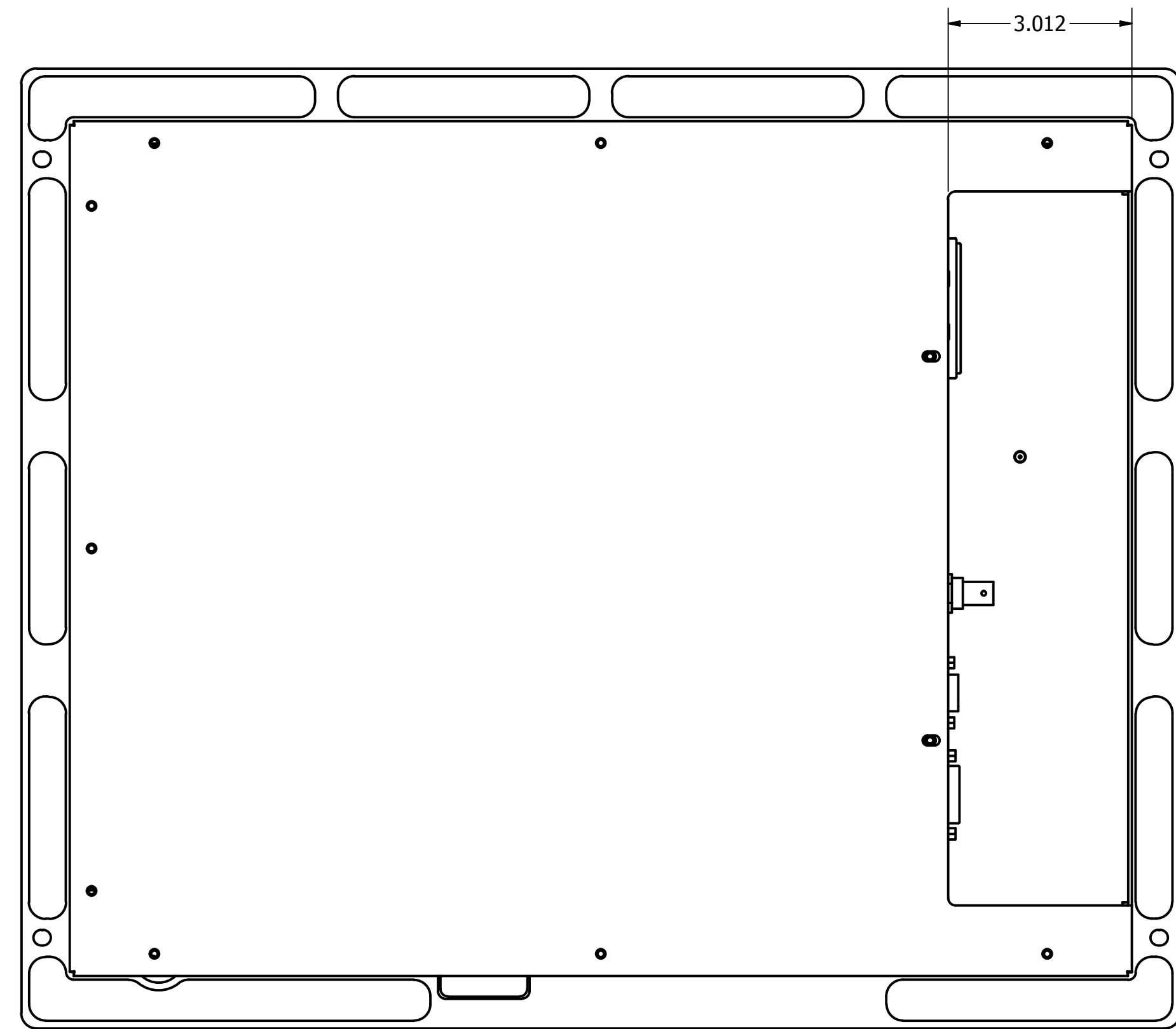


REVISION HISTORY			
REV	DESCRIPTION	APPROVED	DATE
1	INITIAL RELEASE	JAC	6/24/2011



3D VIEW

DRAWN	ACARLTON	6/24/2011	 VARTECH SYSTEMS			
CHECKED						
QA			TITLE OUTLINE DRAWING, VT190RP2 - MARINE, AC			
MFG						
APPROVED						
USED ON	MATERIAL:		SIZE D	TOLERANCES: .XX = .01 .XXX = .005	DWG NO 482-0127-00	REV 1
APPLICATION			FINISH:		SHEET 1 OF 1	