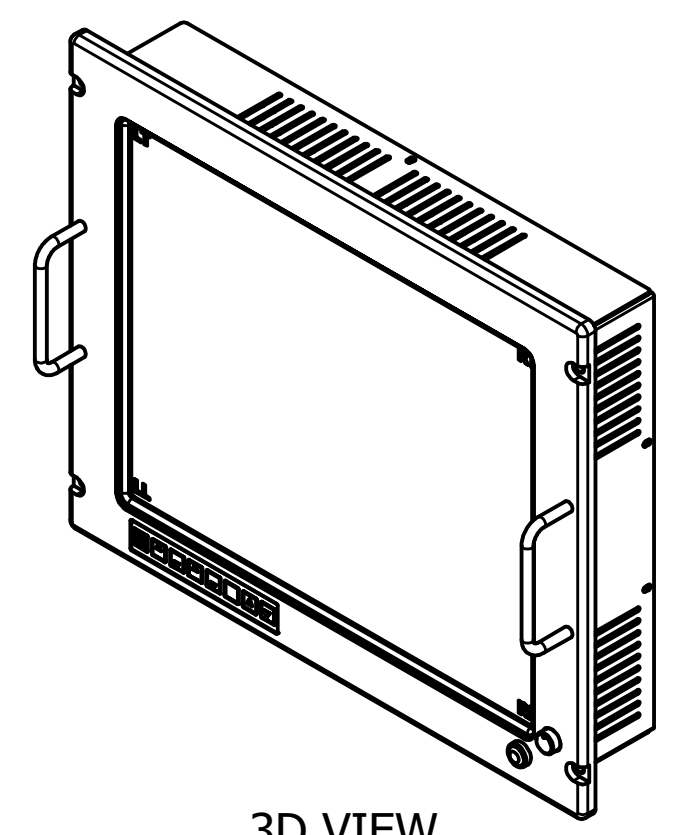
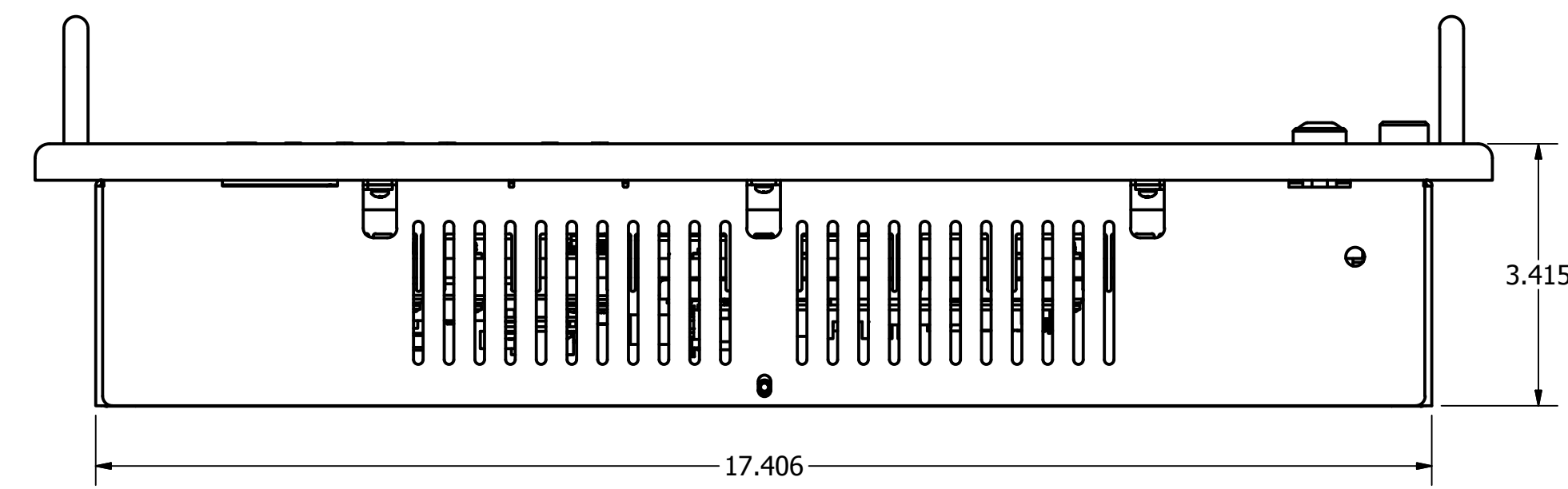
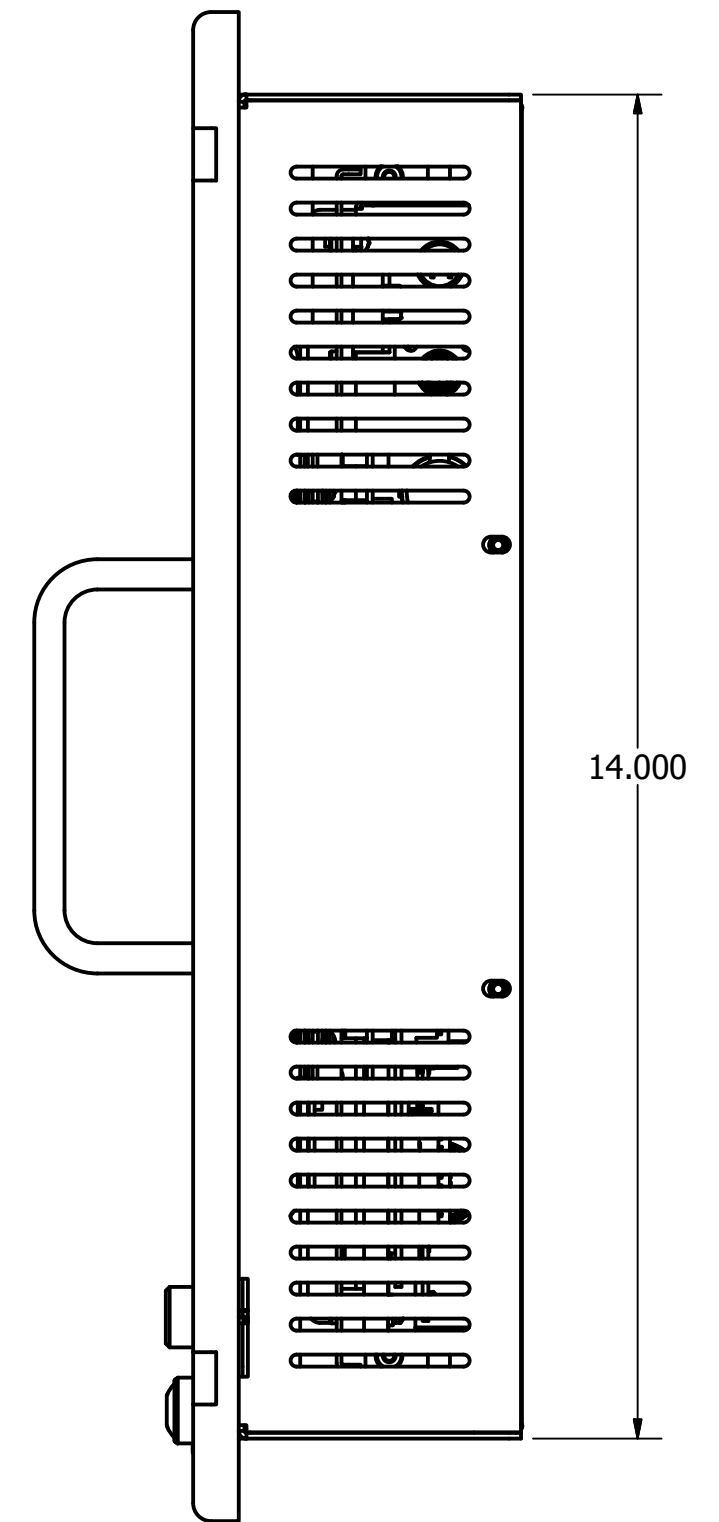
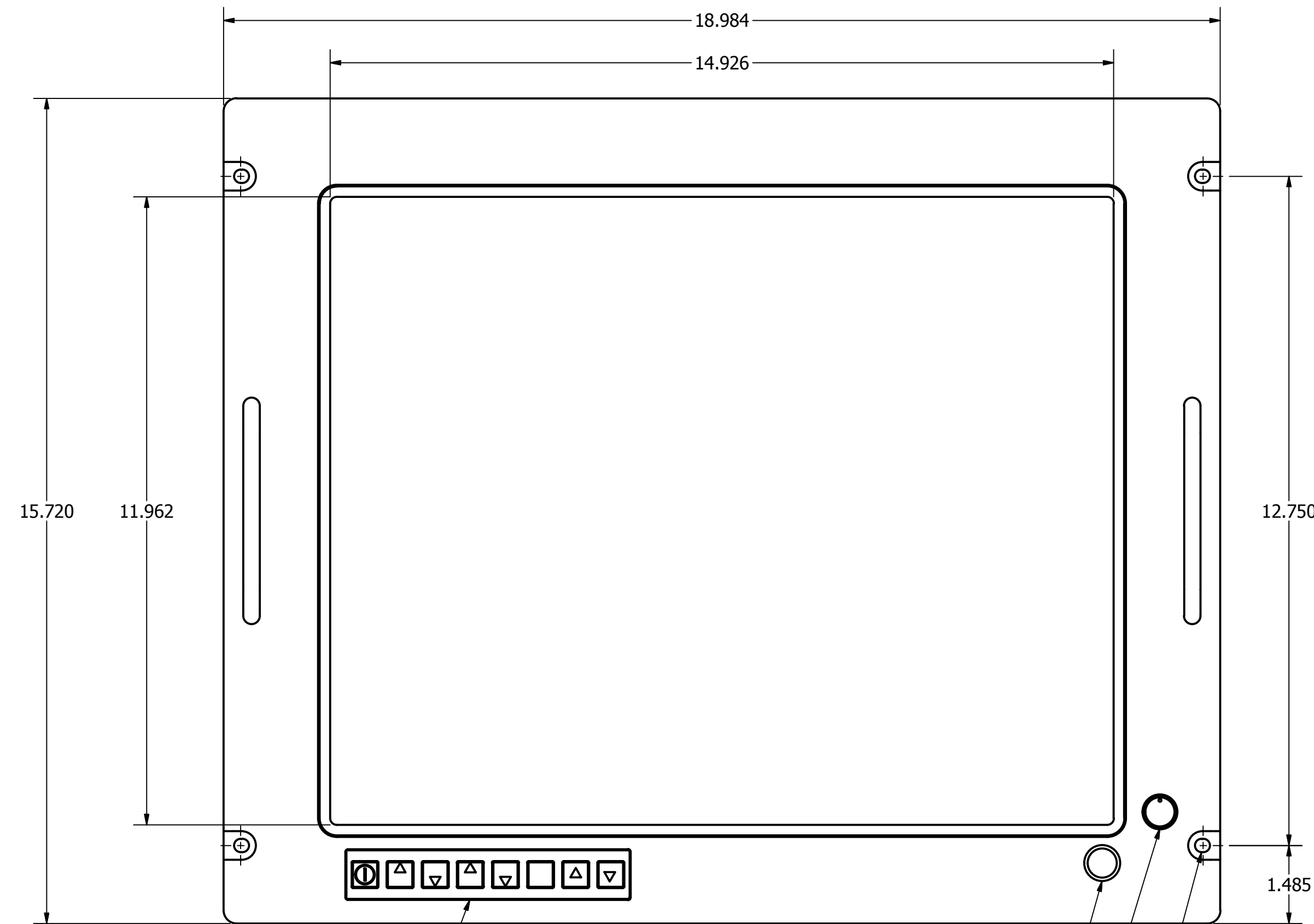
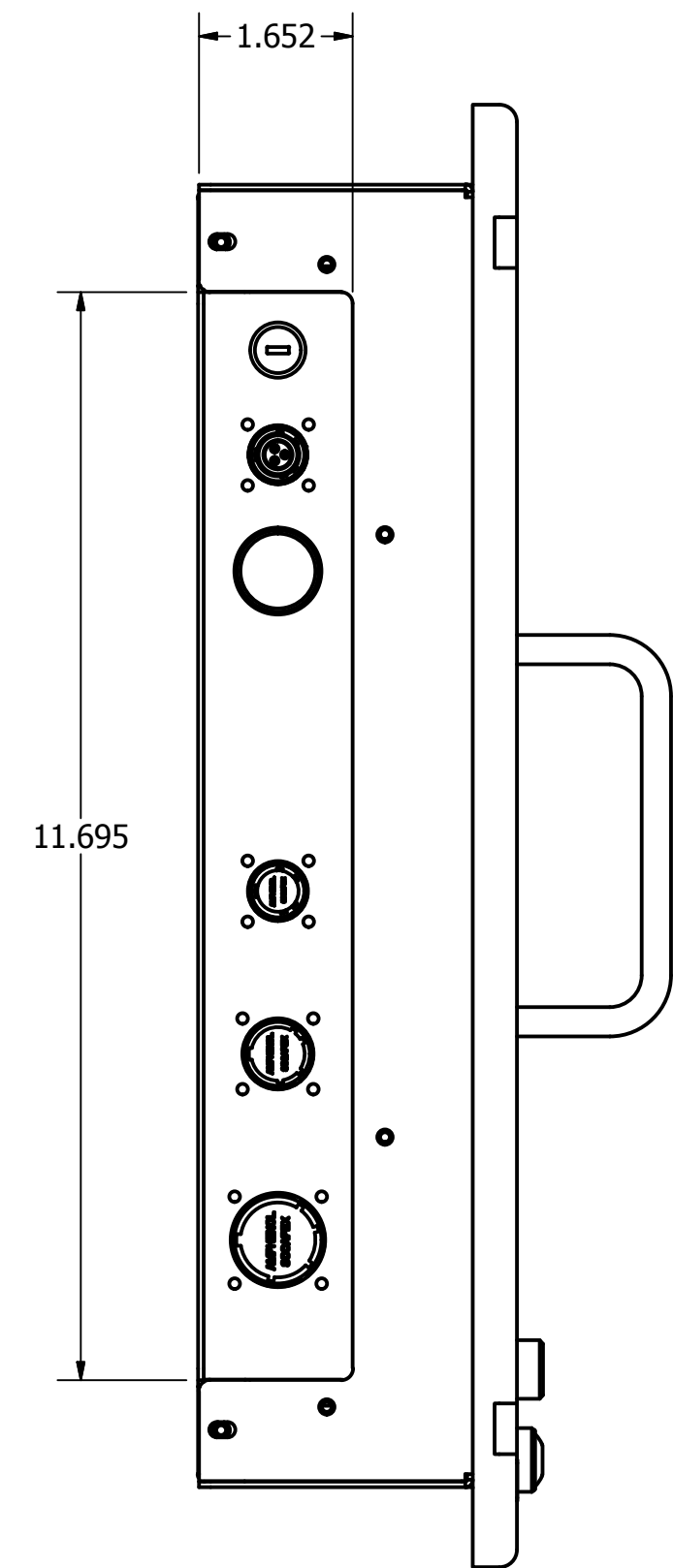
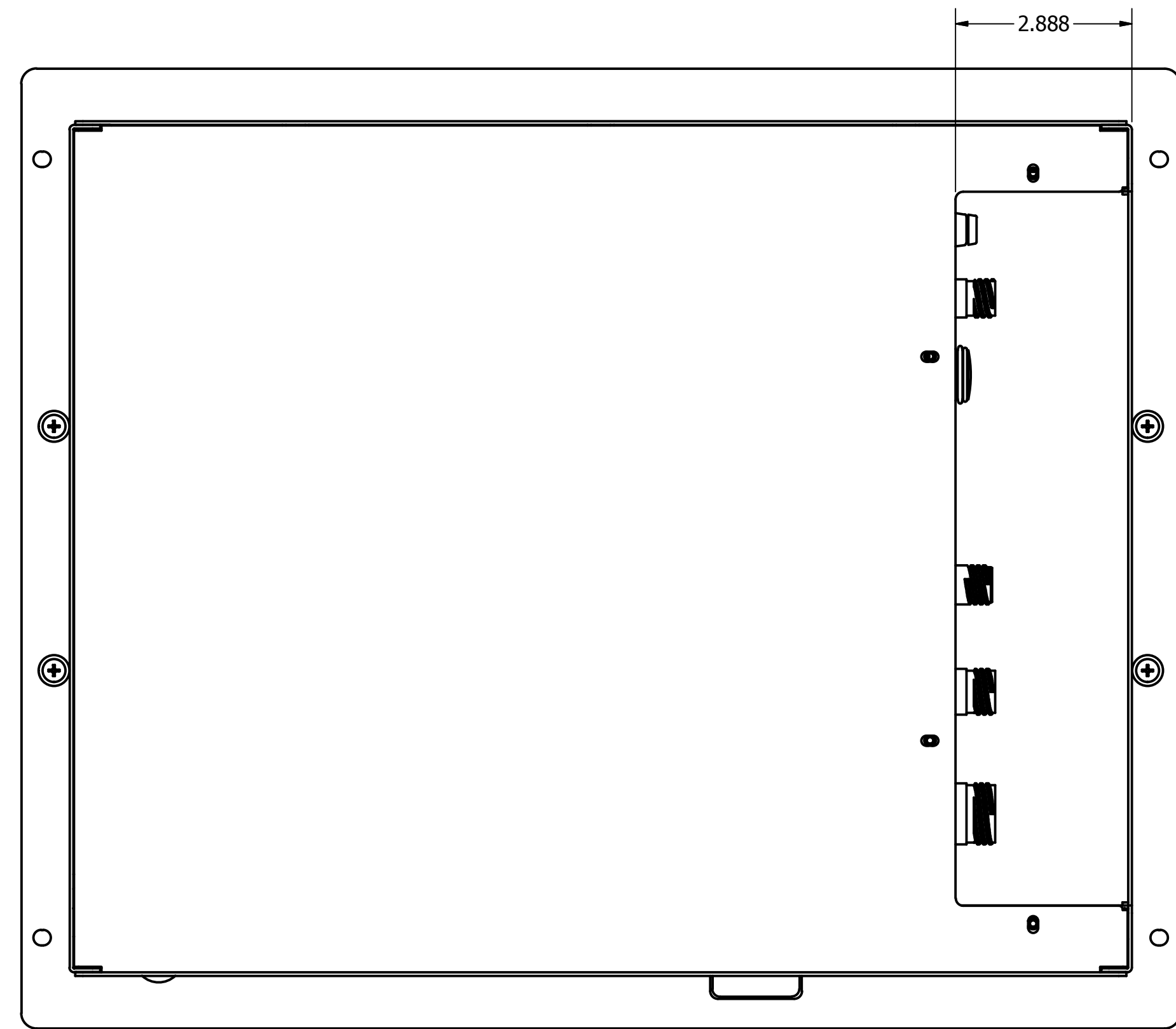


REVISION HISTORY			
REV	DESCRIPTION	APPROVED	DATE
1	INITIAL RELEASE	JAC	6/24/2011



3D VIEW

DRAWN	ACARLTON	6/24/2011	VARTECH SYSTEMS			
CHECKED						
QA			OUTLINE DRAWING, VT190RX2 - MILITARY			
MFG						
APPROVED						
USED ON	MATERIAL:		SIZE D	TOLERANCES: .XX = .01 .XXX = .005	DWG NO 482-0125-00	REV 1
APPLICATION			FINISH:		SHEET 1 OF 1	