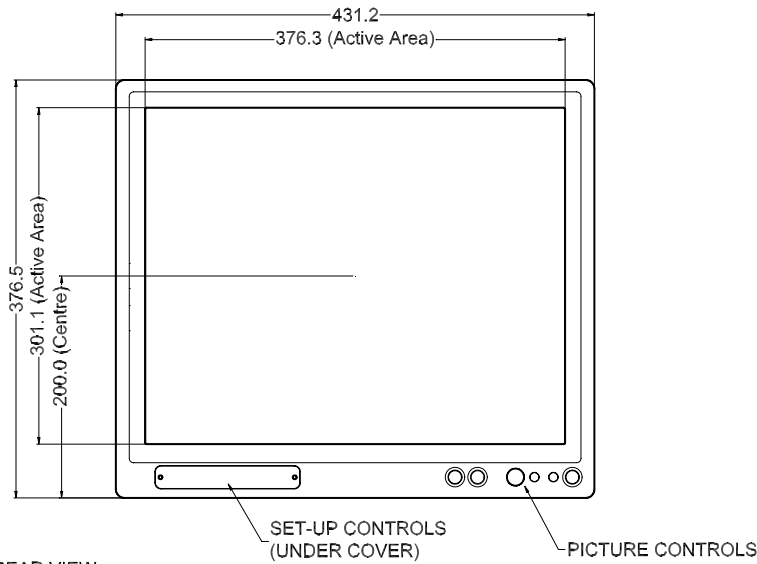
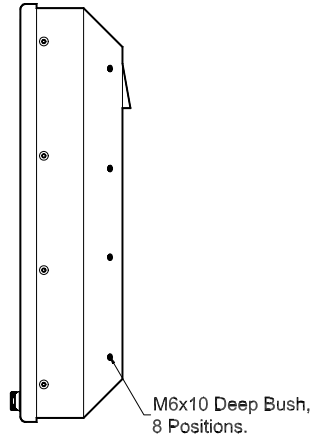


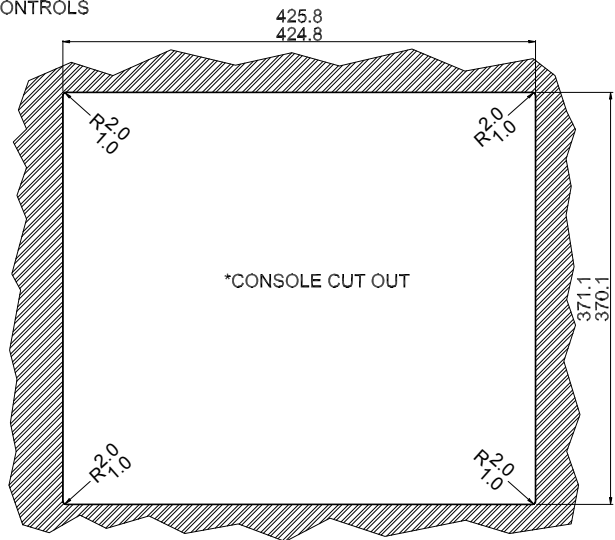
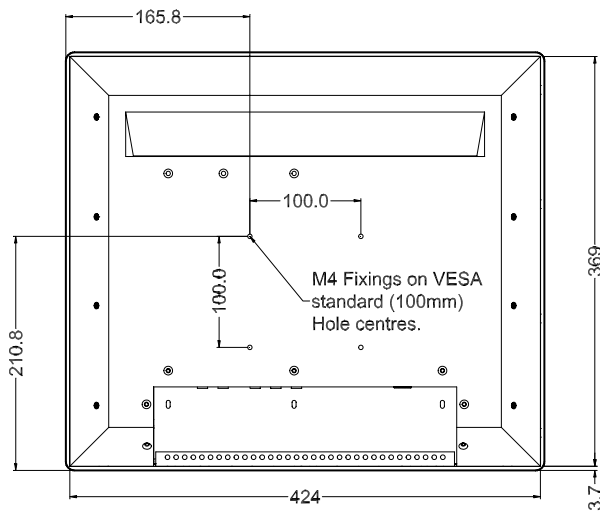
FRONT VIEW



SIDE VIEW

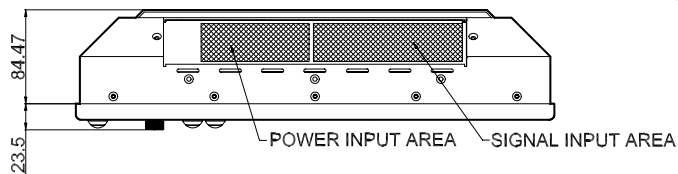


REAR VIEW



*Console Mounting
Particular care must be taken that the corner Radii Maximum of 2mm and Minimum of 1mm along with tolerances shown are adhered to. Deviation from these tolerances will result in the cut out being visible!

BOTTOM VIEW



All dimensions in millimetres
(Not to scale)



VARTECH
SYSTEMS INC.

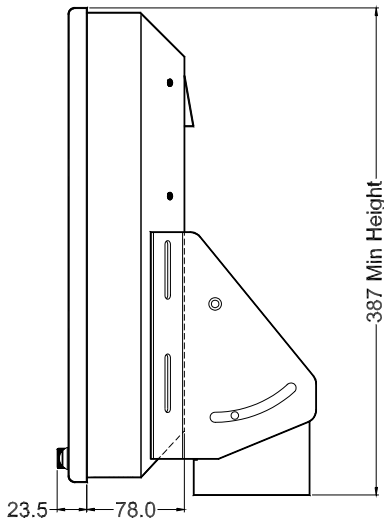
MODEL: VT190WP2

11529 Sun Belt Ct. Baton Rouge, Louisiana 70809-4115 USA
Toll-Free: 800.223.8050 · International Phone: 001.225.298.0300
Fax: 225.297.2440 · E-mail: sales@vartechsystems.com

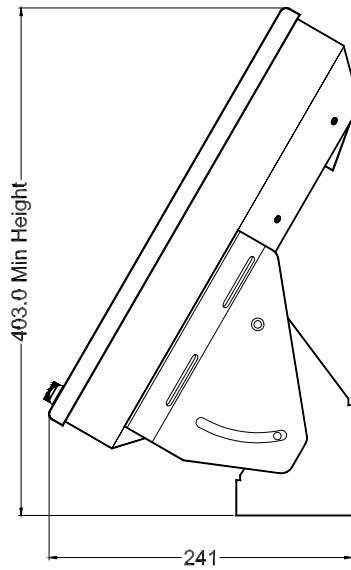
Mounting Bracket Installation

DESKTOP MOUNTING

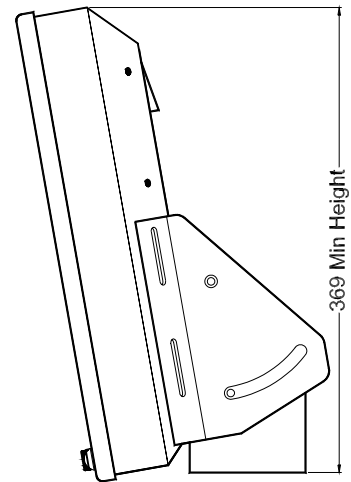
SIDE VIEW 0° TILT



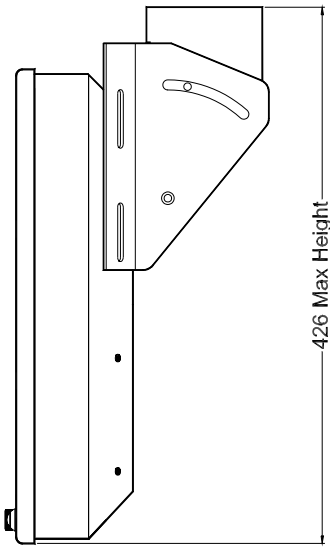
SIDE VIEW 30° TILT



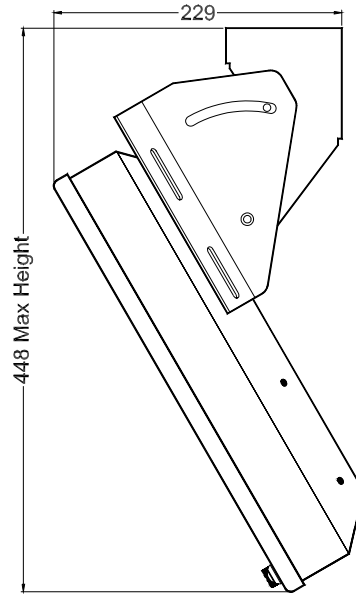
SIDE VIEW 10° FORWARD TILT



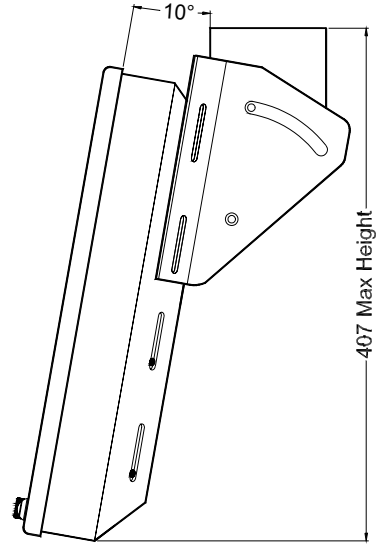
CEILING MOUNTING



SIDE VIEW 0° TILT



SIDE VIEW 30° TILT



SIDE VIEW 10° FORWARD TILT



VARTECH
SYSTEMS INC.

MODEL: VT190WP2

11529 Sun Belt Ct. Baton Rouge, Louisiana 70809-4115 USA
Toll-Free: 800.223.8050 · International Phone: 001.225.298.0300
Fax: 225.297.2440 · E-mail: sales@vartechsystems.com