

8 7 6 5 4 3 2 1

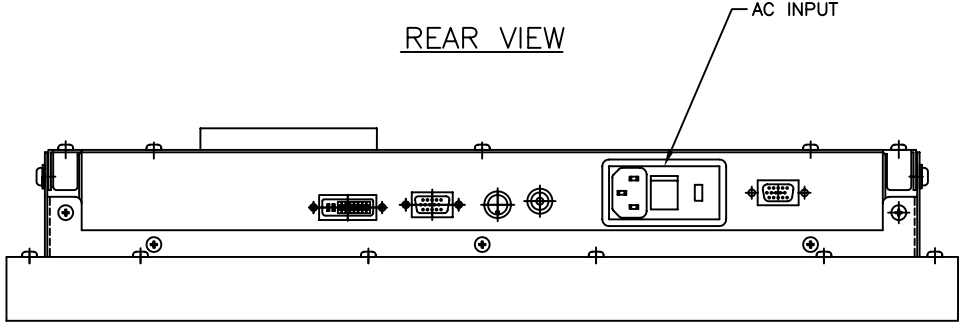
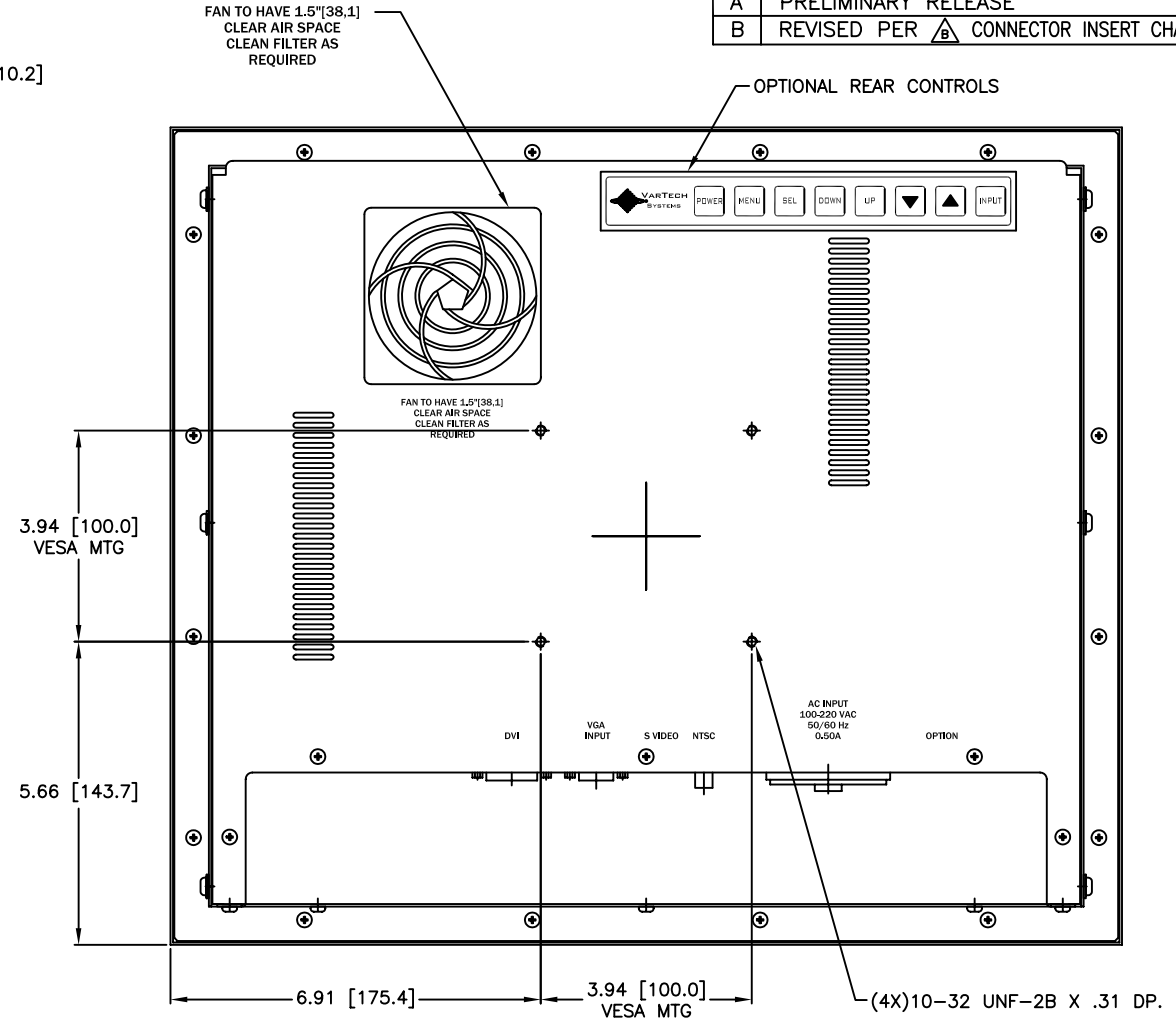
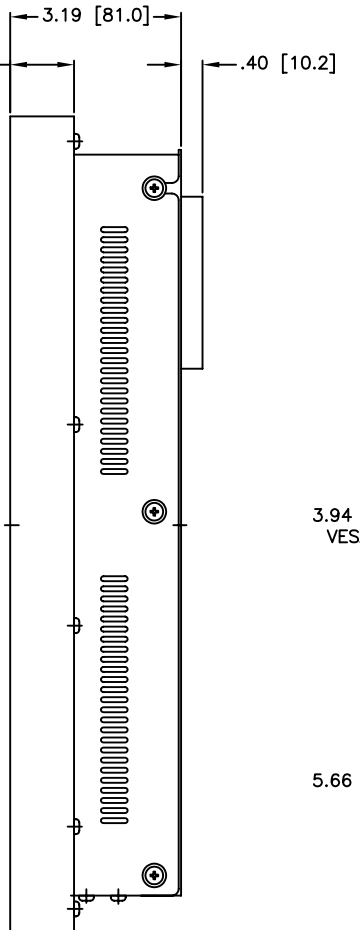
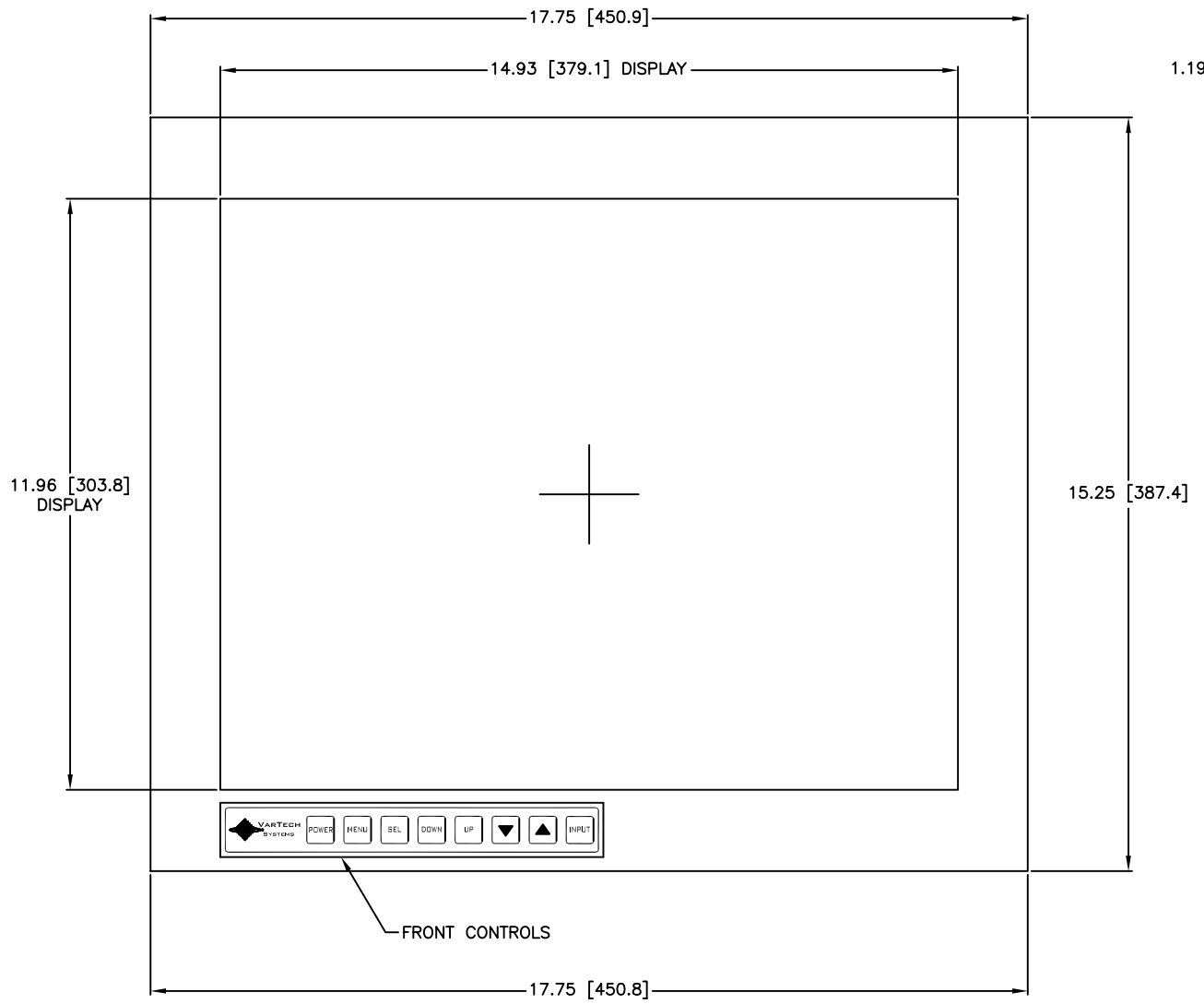
CHANGE HISTORY		
FILE INDEX	DESCRIPTION	APPROVAL INITIAL DATE
A	PRELIMINARY RELEASE	
B	REVISED PER CONNECTOR INSERT CHANGED	RVJ 02/23/05

D

C

B

A



- NOTES:
1. ALL DIMENSIONS ARE NOMINAL AND FOR REFERENCE ONLY. THIS DRAWING SHOULD NOT BE USED FOR DESIGN PURPOSES.
 2. WEIGHT OF UNIT IS 20 LBS.
 3. SHIPPING WEIGHT OF UNIT IS 30 LBS.

ITEM	QTY	MFR. PT.NO.	DESCRIPTION	SYM/NOTE
LIST OF MATERIALS				
UNLESS OTHERWISE SPECIFIED DIMENSIONS ARE IN INCHES AND APPLY BEFORE FINISH SURFACE ROUGHNESS .125/ TOLERANCE ON FRACTIONS DECIMALS ANGLES		DRAWN DATE RVJ 07/08/04		VARTECH SYSTEMS
± 1/64 ±.XX=.02 ± 1/2		CHECKED		
MATERIAL		DRAFTING		
FINISH		ENGINEER		
VT190W		MANUF		OUTLINE DRAWING VT190W
USED ON		APPROVED		
APPLICATION		QA		
SIZE		DWG NO.		REV
D		601-0115		B
SCALE 1 : 1.75		SHEET 1 OF 1		

FILE NUMBER: 6010115-RB

8 7 6 5 4 3 2 1