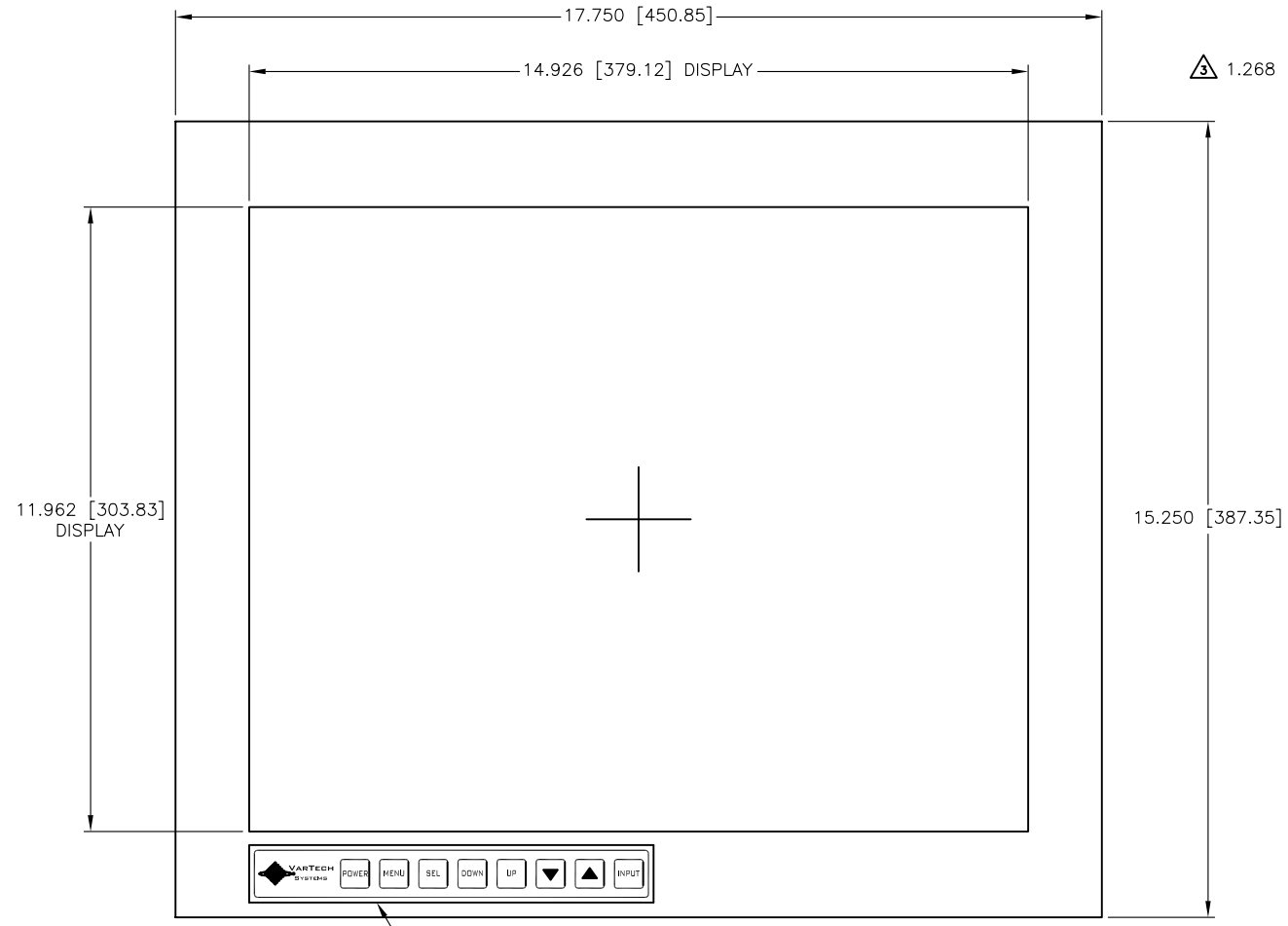
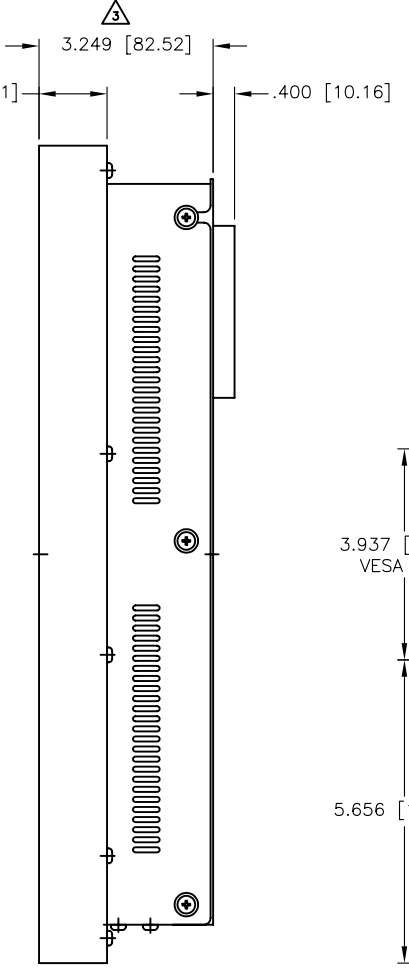


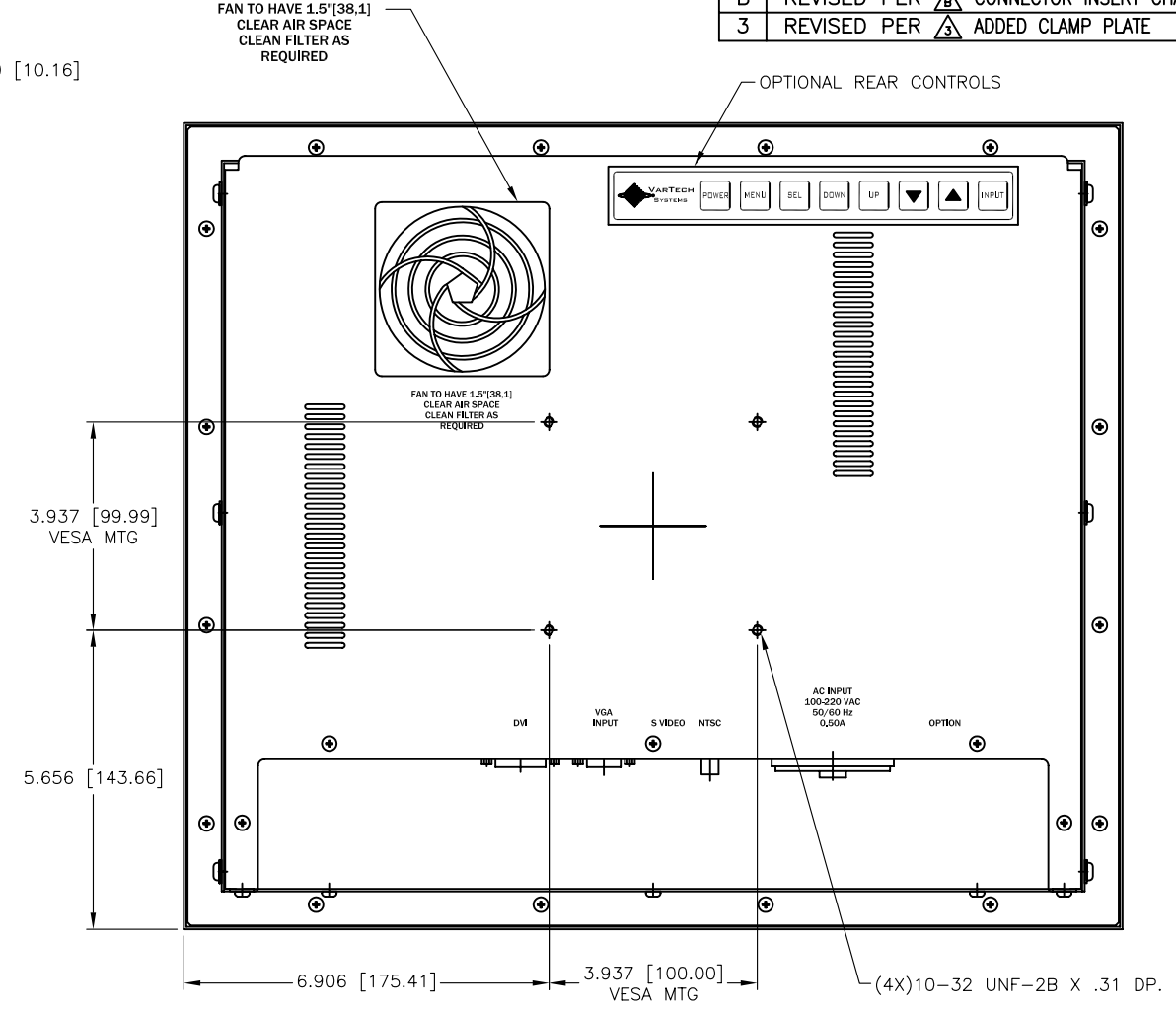
CHANGE HISTORY		
FILE INDEX	DESCRIPTION	APPROVAL INITIAL DATE
A	PRELIMINARY RELEASE	
B	REVISED PER $\Delta$ CONNECTOR INSERT CHANGED	RVJ 02/23/05
3	REVISED PER $\Delta$ ADDED CLAMP PLATE	RVJ 02/12/07



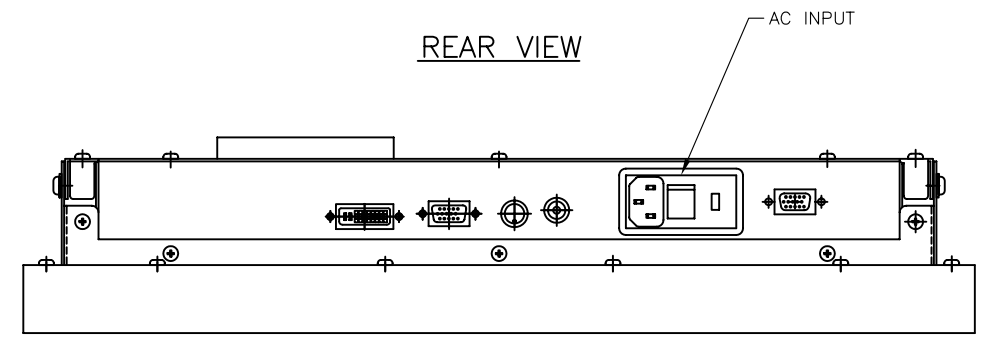
FRONT VIEW



SIDE VIEW



REAR VIEW



CONN VIEW

- NOTES:
- ALL DIMENSIONS ARE NOMINAL AND FOR REFERENCE ONLY. THIS DRAWING SHOULD NOT BE USED FOR DESIGN PURPOSES.
  - WEIGHT OF UNIT IS 20 LBS.
  - SHIPPING WEIGHT OF UNIT IS 30 LBS.

ITEM	QTY	MFR. PT.NO.	DESCRIPTION	SYM/NOTE
LIST OF MATERIALS				
UNLESS OTHERWISE SPECIFIED DIMENSIONS ARE IN INCHES AND APPLY BEFORE FINISH SURFACE ROUGHNESS .125/ TOLERANCE ON FRACTIONS   DECIMALS   ANGLES		DRAWN DATE RVJ 07/08/04		<b>VARTECH SYSTEMS</b>
± 1/64 ± .XX=.02 ± 1/2		CHECKED		
MATERIAL		DRAFTING		
FINISH		ENGINEER		
VT190W		MANUF		OUTLINE DRAWING VT190W
USED ON		APPROVED		
APPLICATION		QA		
SIZE D		DWG NO. 601-0115		REV 3
SCALE1 : 1.75			SHEET 1 OF 1	