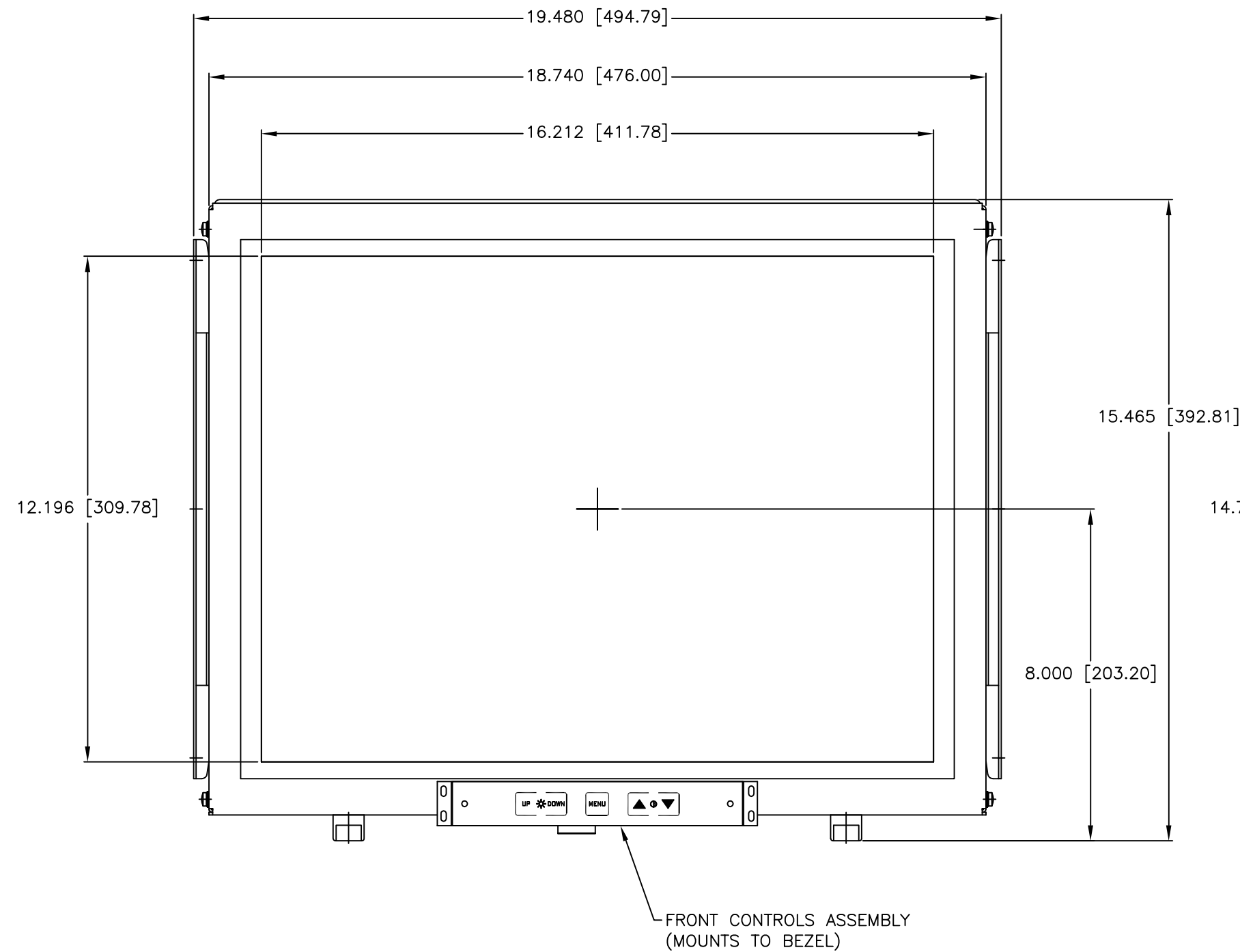


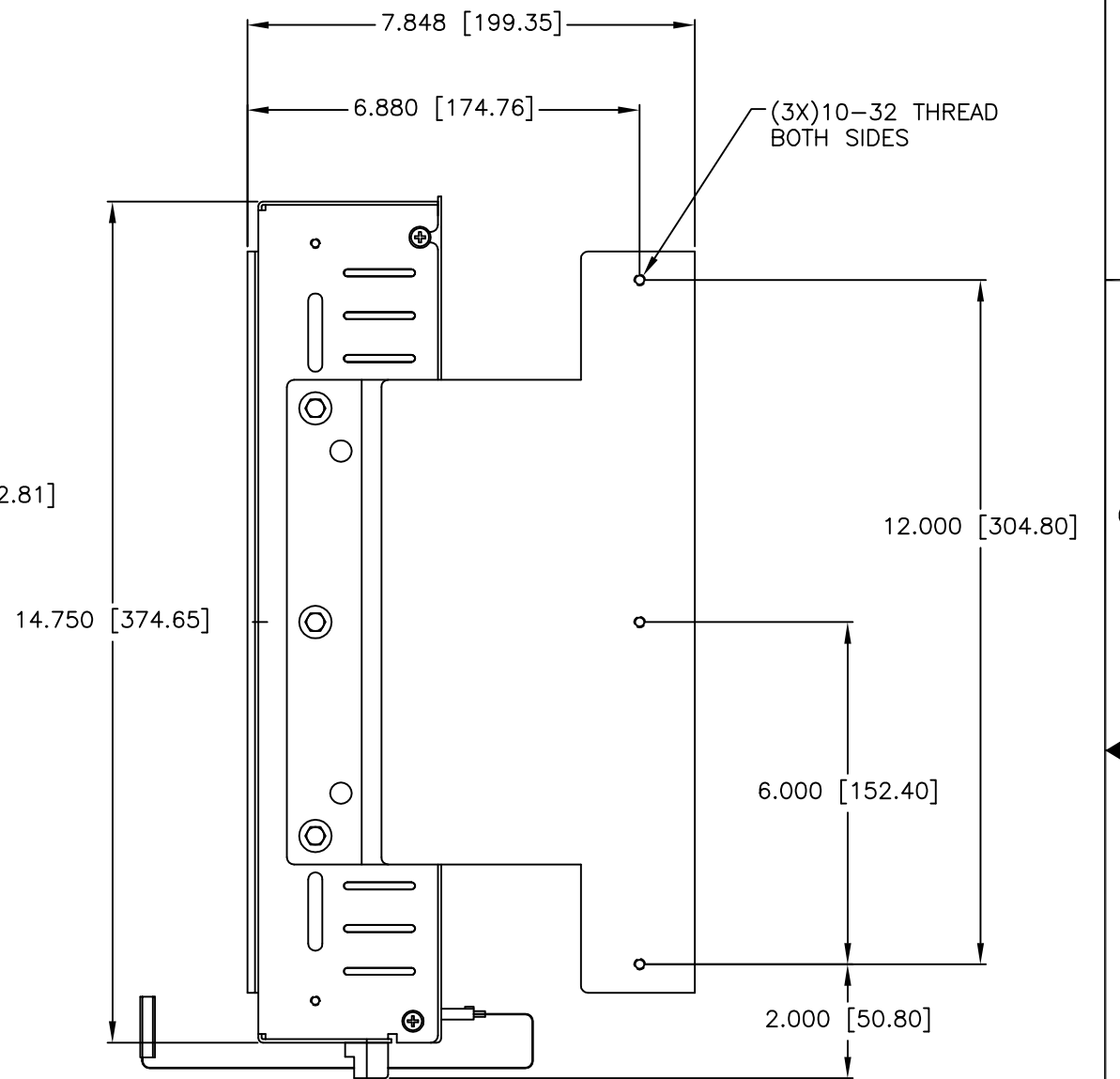
CHANGE HISTORY		
FILE INDEX	DESCRIPTION	APPROVAL INITIAL DATE
A	PRELIMINARY RELEASE	



FRONT VIEW

NOTES:

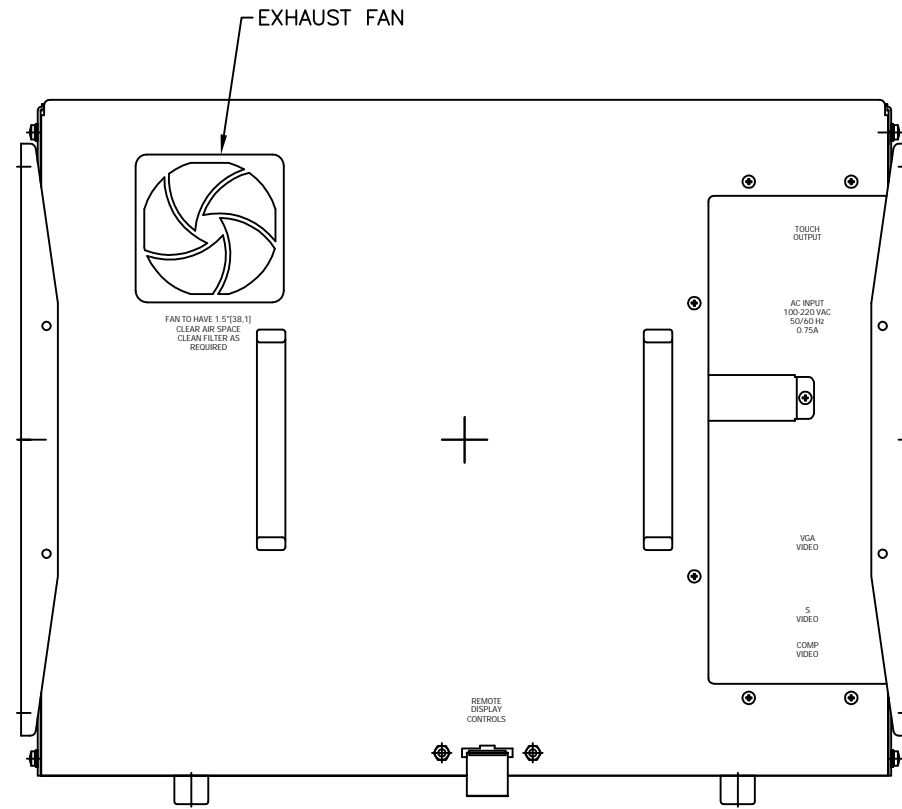
1. ALL DIMENSIONS ARE NOMINAL AND FOR REFERENCE ONLY. THIS DRAWING SHOULD NOT BE USE FOR DESIGN PURPOSES.
2. WEIGHT OF UNIT IS 28 LBS.
3. SHIPPING WEIGHT OF UNIT IS 38 LBS.
4. UNIT SHIPPED WITH MOUNTING BRACKETS REMOVED.



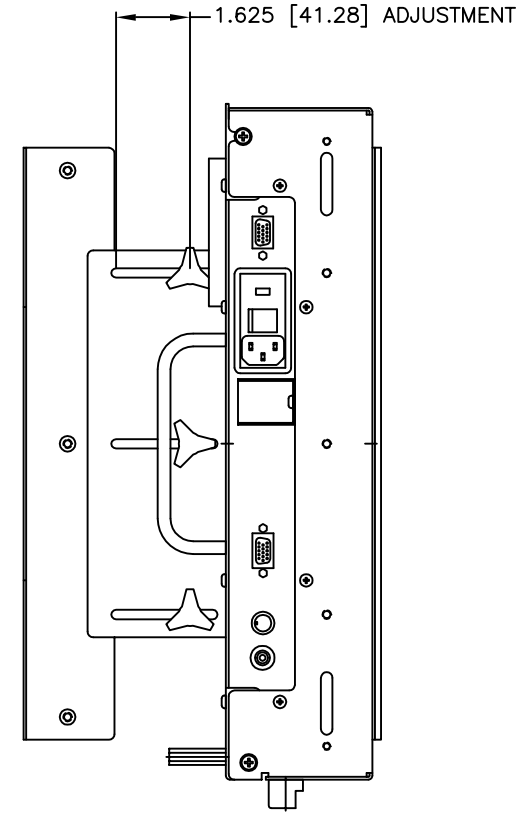
RIGHT SIDE VIEW

ITEM	QTY	MFR. PT.NO.	DESCRIPTION	SYM/NOTE
LIST OF MATERIALS				
UNLESS OTHERWISE SPECIFIED DIMENSIONS ARE IN INCHES AND APPLY BEFORE FINISH SURFACE ROUGHNESS .125/ TOLERANCE ON FRACTIONS DECIMALS ANGLES		DRAWN	DATE	 <b>VARTECH SYSTEMS</b> OUTLINE DRAWING VT201CHC FOR CURVED IR TOUCH
± 1/64 ±.XX=.02 ± 1/2		RVJ	10/20/04	
MATERIAL		CHECKED		
FINISH		DRAFTING		
APPLICATION		ENGINEER		SIZE D DWG NO. 601-0146 REV A
		MANUF		
		APPROVED		SCALE 1 : 1.5 SHEET 1 OF 2
		QA		

CHANGE HISTORY		
FILE INDEX	DESCRIPTION	APPROVAL INITIAL DATE
A		

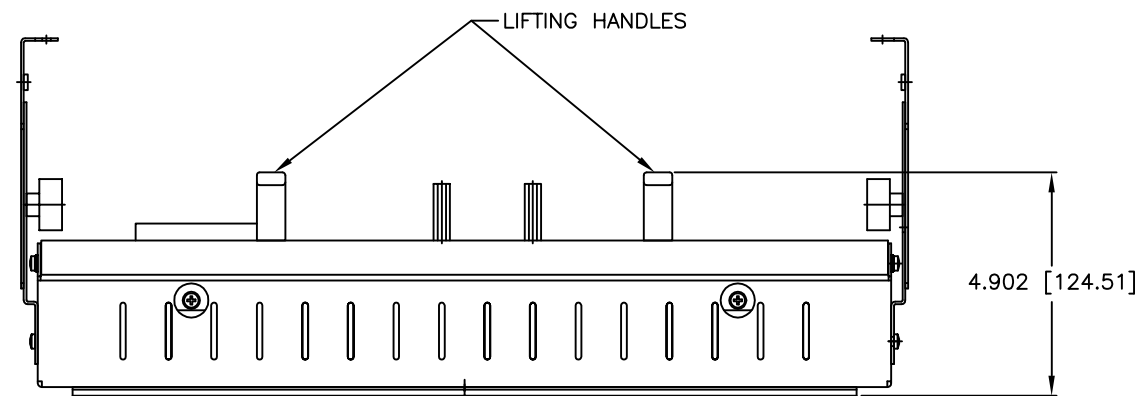


REAR VIEW



LEFT SIDE VIEW

NEARSIDE MTG BRKTS NOT SHOWN



BOTTOM VIEW

ITEM	QTY	MFR. PT.NO.	DESCRIPTION	SYM/NOTE
LIST OF MATERIALS				
UNLESS OTHERWISE SPECIFIED DIMENSIONS ARE IN INCHES AND APPLY BEFORE FINISH SURFACE ROUGHNESS .125/ TOLERANCE ON FRACTIONS DECIMALS ANGLES		DRAWN	DATE	 <b>VARTECH SYSTEMS</b> OUTLINE DRAWING VT201CHC FOR CURVED IR TOUCH
		RVJ	10/20/04	
		CHECKED		
		DRAFTING		
		ENGINEER		SIZE
MATERIAL		MANUF		DWG NO.
FINISH		APPROVED		601-0146
USED ON		QA		REV
APPLICATION				A
			SCALE 1 : 2	SHEET 2 OF 2