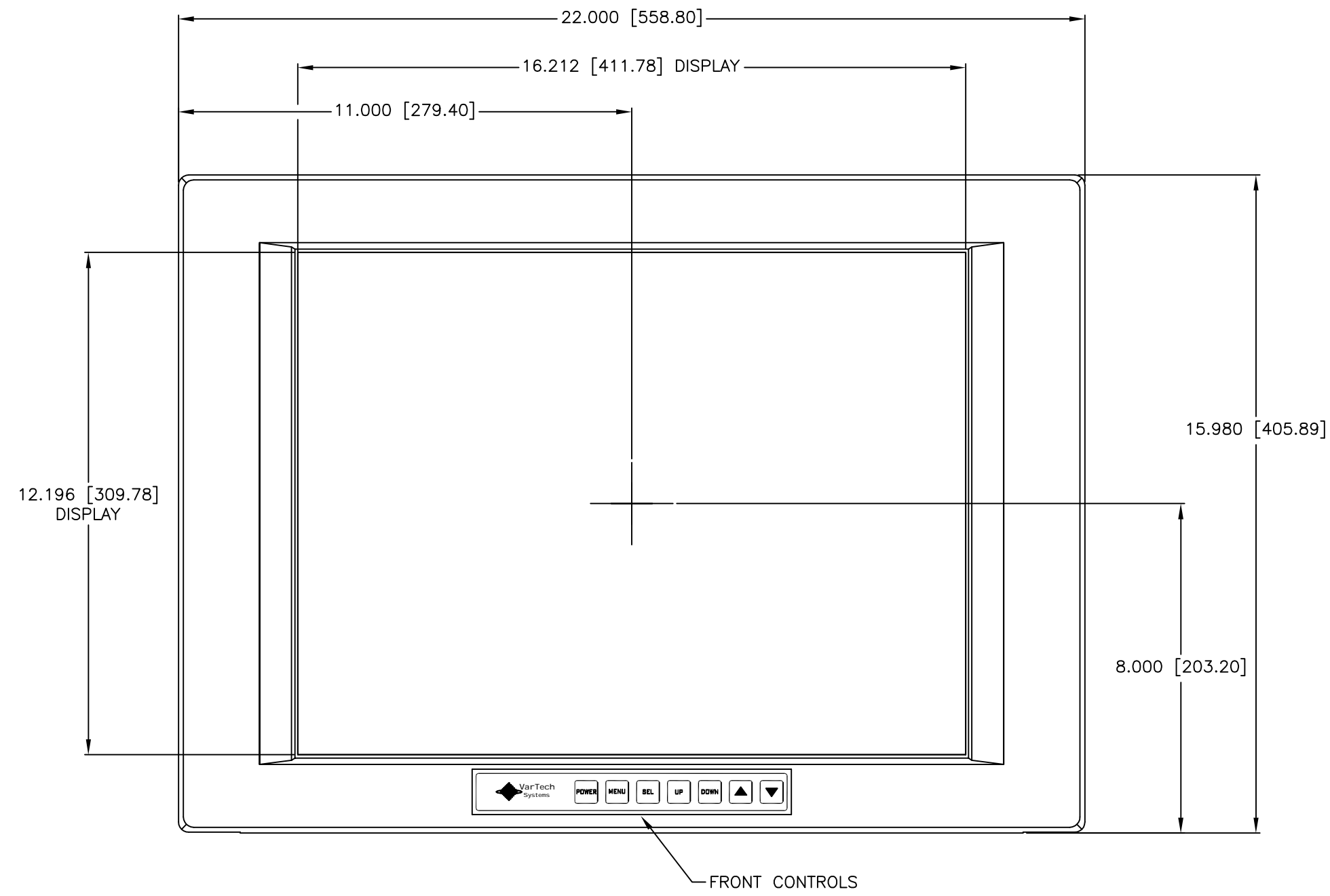
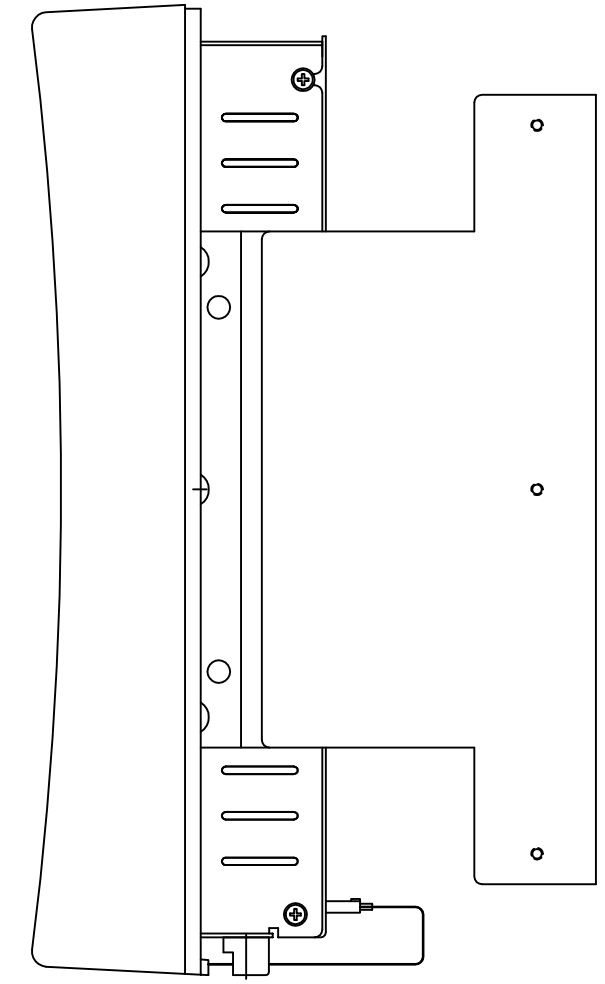


CHANGE HISTORY		
FILE INDEX	DESCRIPTION	APPROVAL INITIAL DATE
A	PRELIMINARY RELEASE	



FRONT VIEW



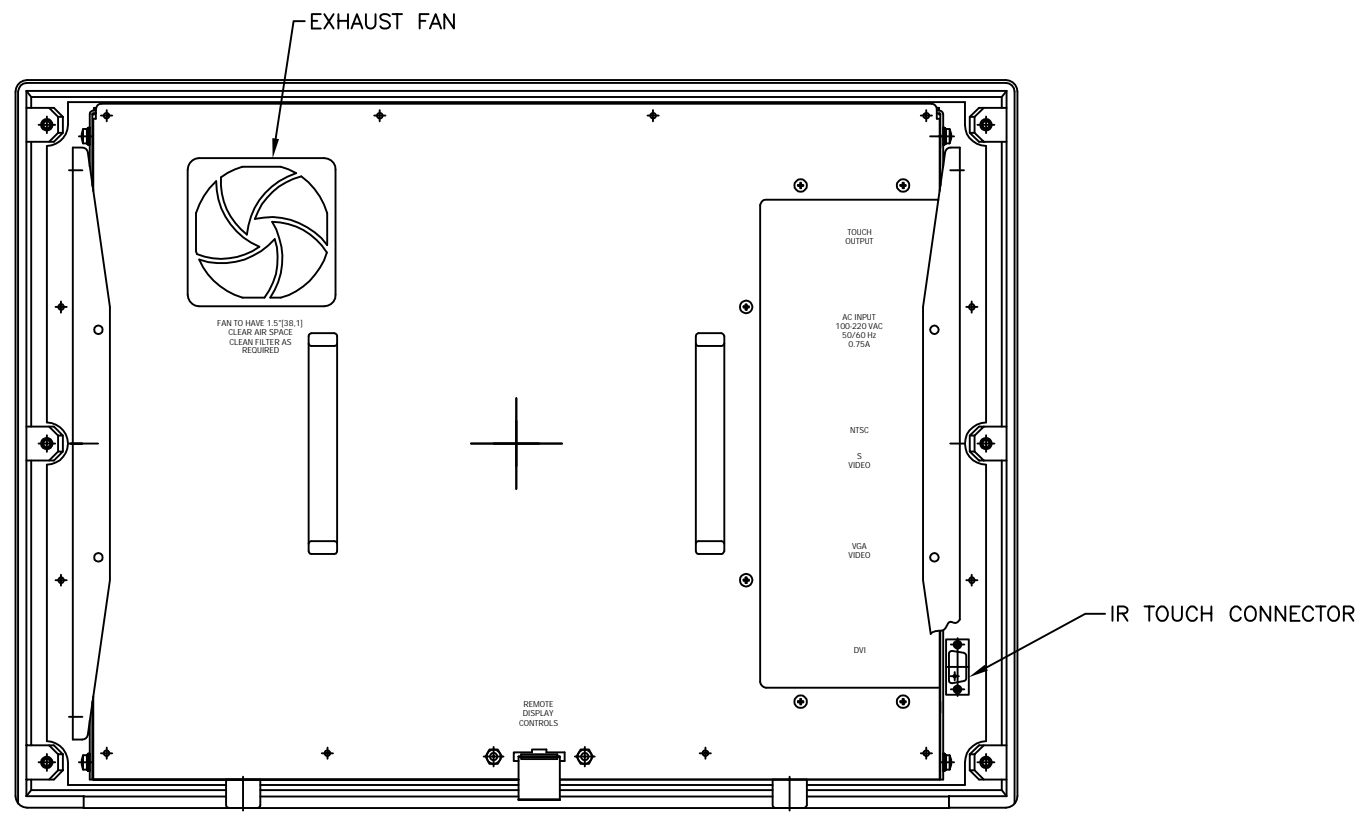
RIGHT SIDE VIEW

NOTES:

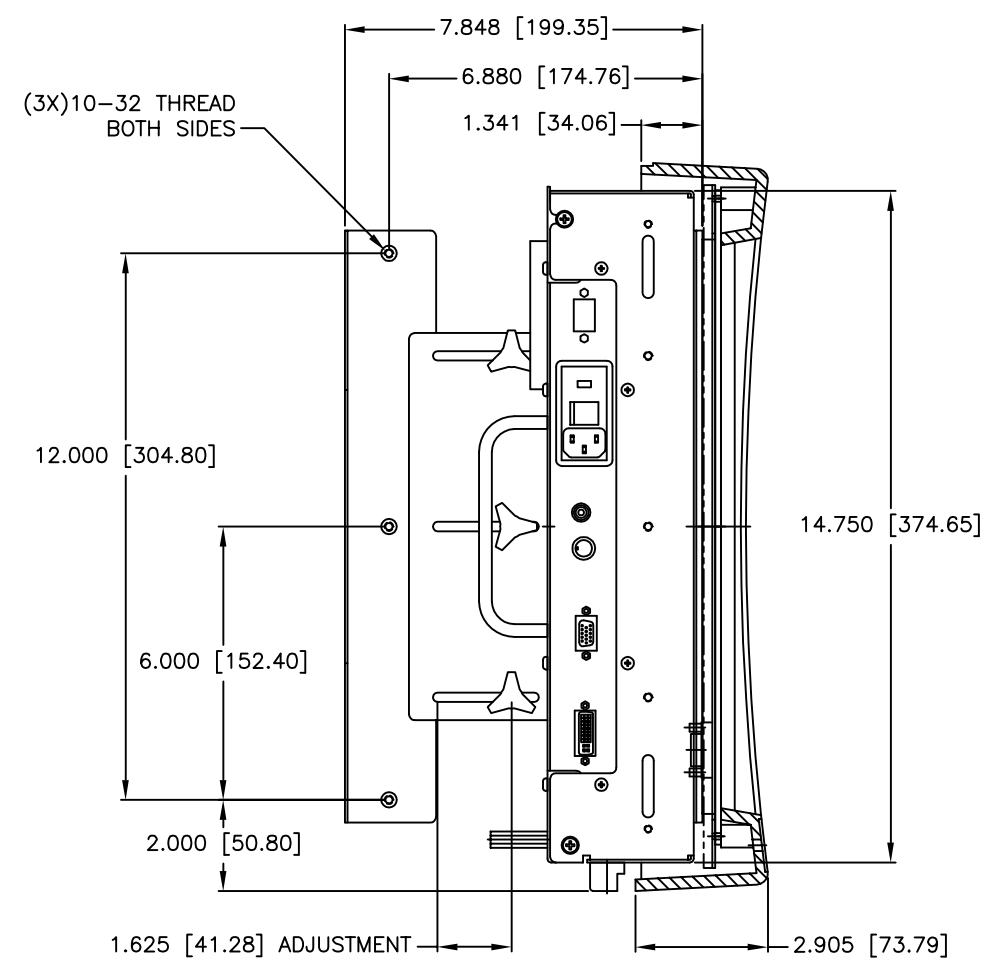
1. ALL DIMENSIONS ARE NOMINAL AND FOR REFERENCE ONLY. THIS DRAWING SHOULD NOT BE USE FOR DESIGN PURPOSES.
2. WEIGHT OF UNIT IS 31 LBS.
3. SHIPPING WEIGHT OF UNIT IS 41 LBS.
4. UNIT SHIPPED WITH MOUNTING BRACKETS REMOVED.

ITEM	QTY	MFR. PT.NO.	DESCRIPTION	SYM/NOTE
LIST OF MATERIALS				
UNLESS OTHERWISE SPECIFIED DIMENSIONS ARE IN INCHES AND APPLY BEFORE FINISH SURFACE ROUGHNESS .125/ TOLERANCE ON		DRAWN	DATE	 <b>VARTECH SYSTEMS</b> OUTLINE DRAWING VT201CH W/BEZEL & IR TOUCH
FRACTIONS   DECIMALS   ANGLES		DMS	01/31/05	
± 1/64   ±.XX=.02   ± 1/2		CHECKED		
± .XXX=.005		DRAFTING		
MATERIAL		ENGINEER		
FINISH		MANUF		
USED ON		APPROVED		
APPLICATION		QA		
SIZE			DWG NO.	REV
D			601-0145	A
SCALE 1 : 1.5			SHEET 1 OF 2	

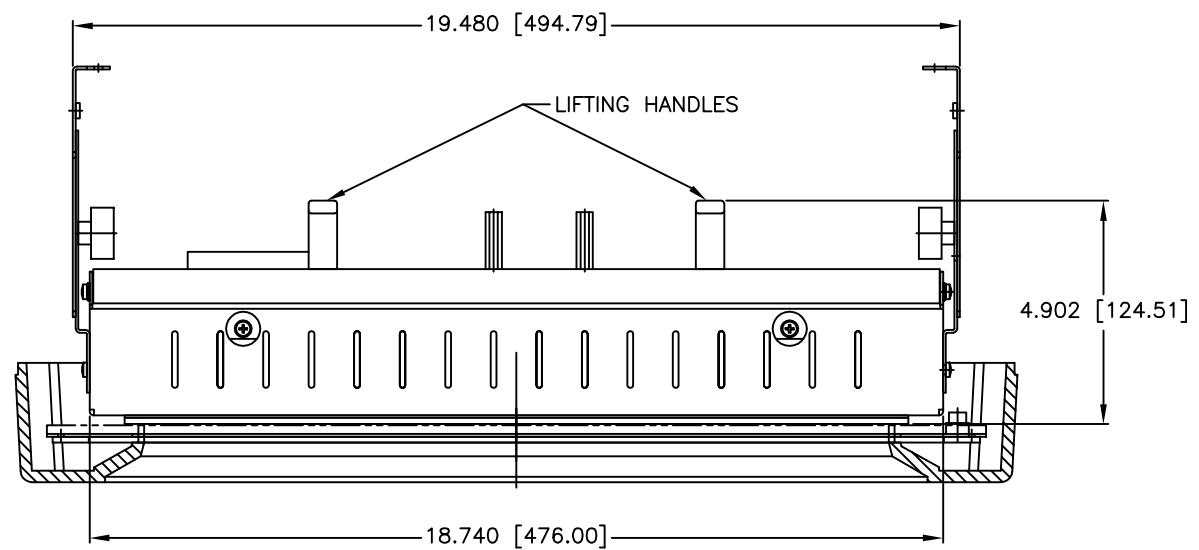
CHANGE HISTORY		
FILE INDEX	DESCRIPTION	APPROVAL INITIAL DATE
A		



REAR VIEW



LEFT SIDE VIEW  
NEARSIDE MTG BRKTS NOT SHOWN  
BEZEL BROKEN AWAY



BOTTOM VIEW  
BEZEL BROKEN AWAY

ITEM	QTY	MFR. PT.NO.	DESCRIPTION	SYM/NOTE
LIST OF MATERIALS				
UNLESS OTHERWISE SPECIFIED DIMENSIONS ARE IN INCHES AND APPLY BEFORE FINISH SURFACE ROUGHNESS .125/ TOLERANCE ON FRACTIONS   DECIMALS   ANGLES		DRAWN DATE DMS 01/31/05		<b>VARTECH SYSTEMS</b>
± 1/64 ± .XX=.02 ± 1/2		CHECKED		
MATERIAL		DRAFTING		
FINISH		ENGINEER		
VT201CH USED ON APPLICATION		MANUF		OUTLINE DRAWING VT201CH W/BEZEL & IR TOUCH
		APPROVED		
		QA		
SCALE 1 : 2			DWG NO. 601-0145	REV A
FILE NUMBER: 6010145B-RA			SHEET 2 OF 2	