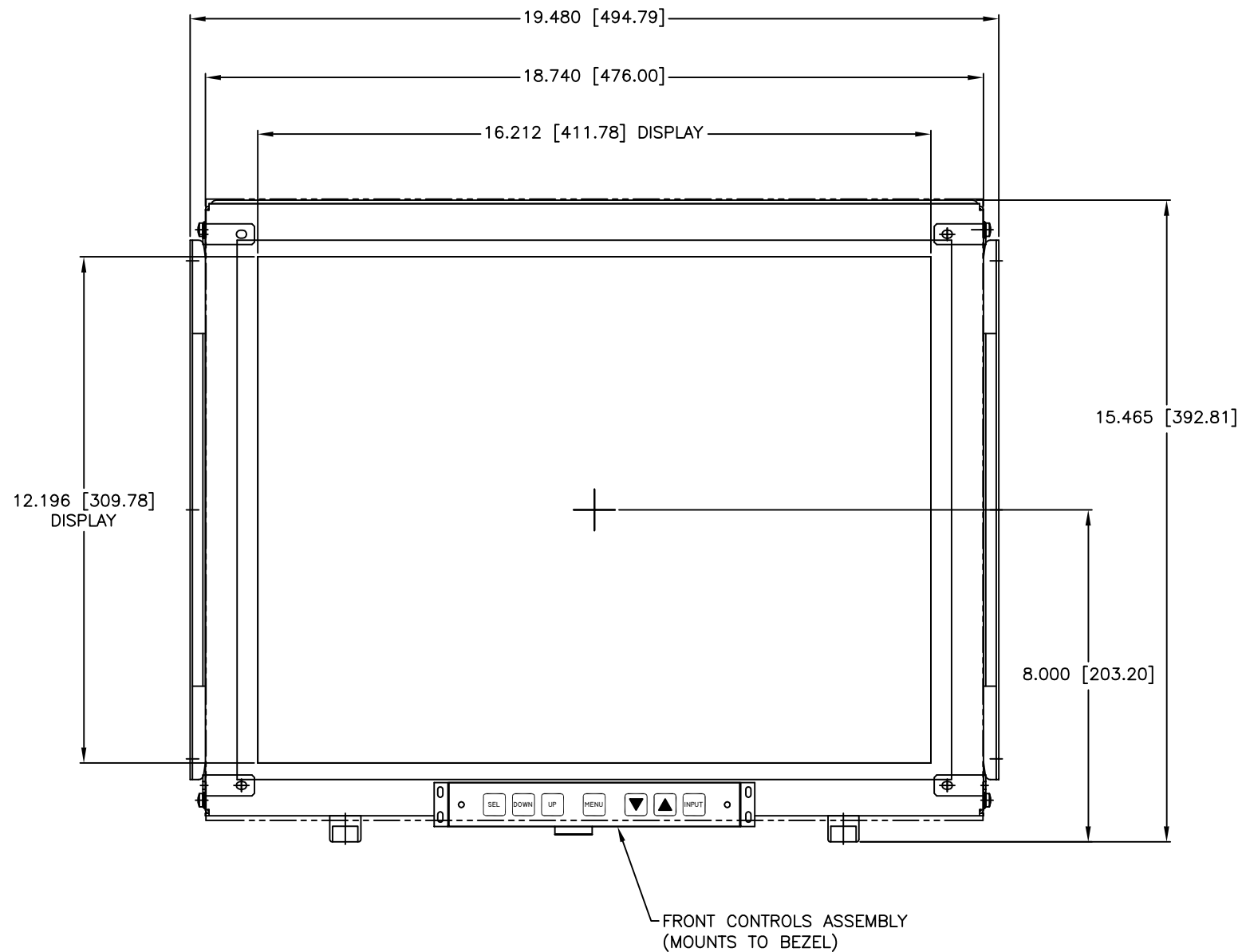
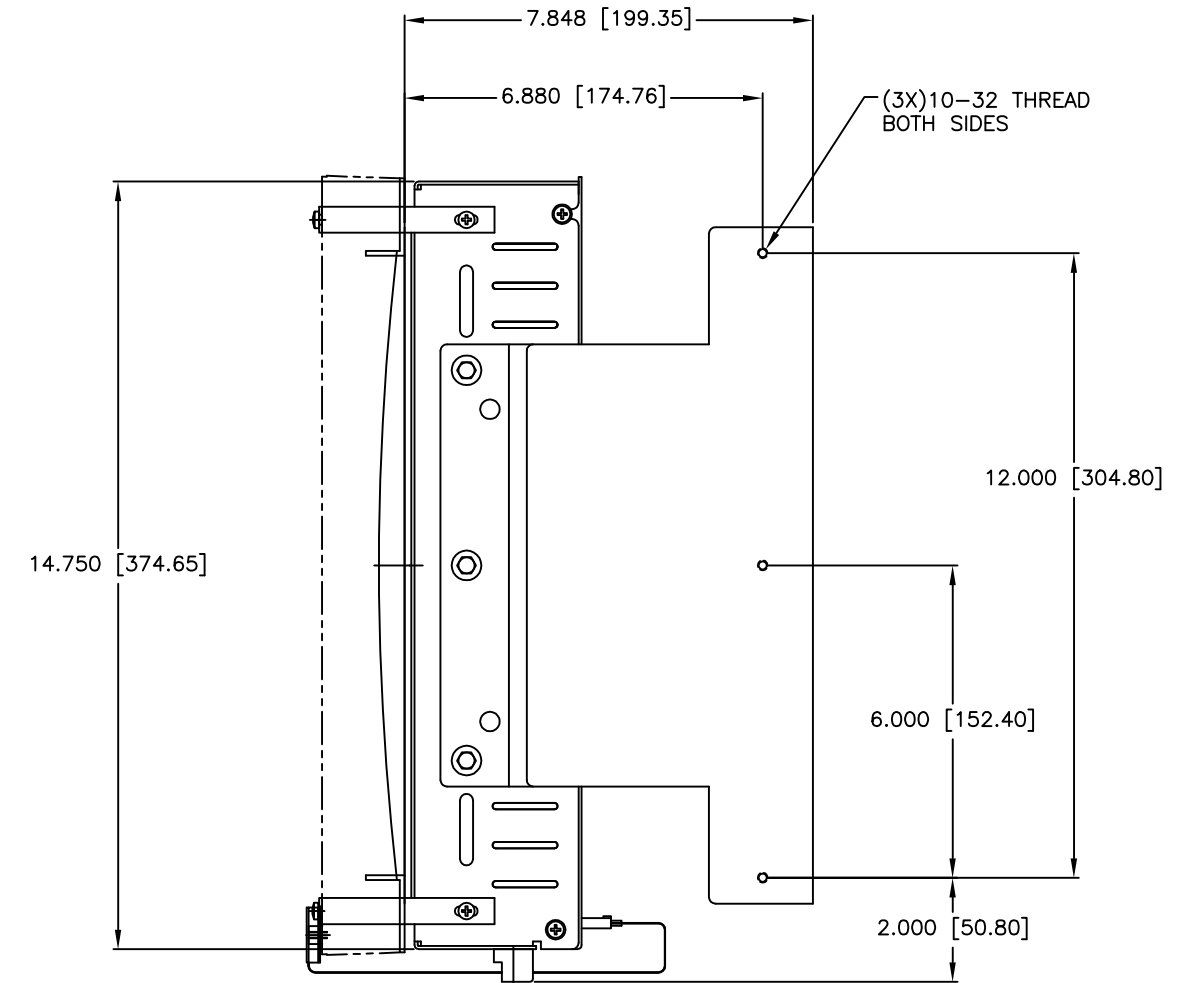


CHANGE HISTORY		
FILE INDEX	DESCRIPTION	APPROVAL INITIAL DATE
A	PRELIMINARY RELEASE	



FRONT VIEW



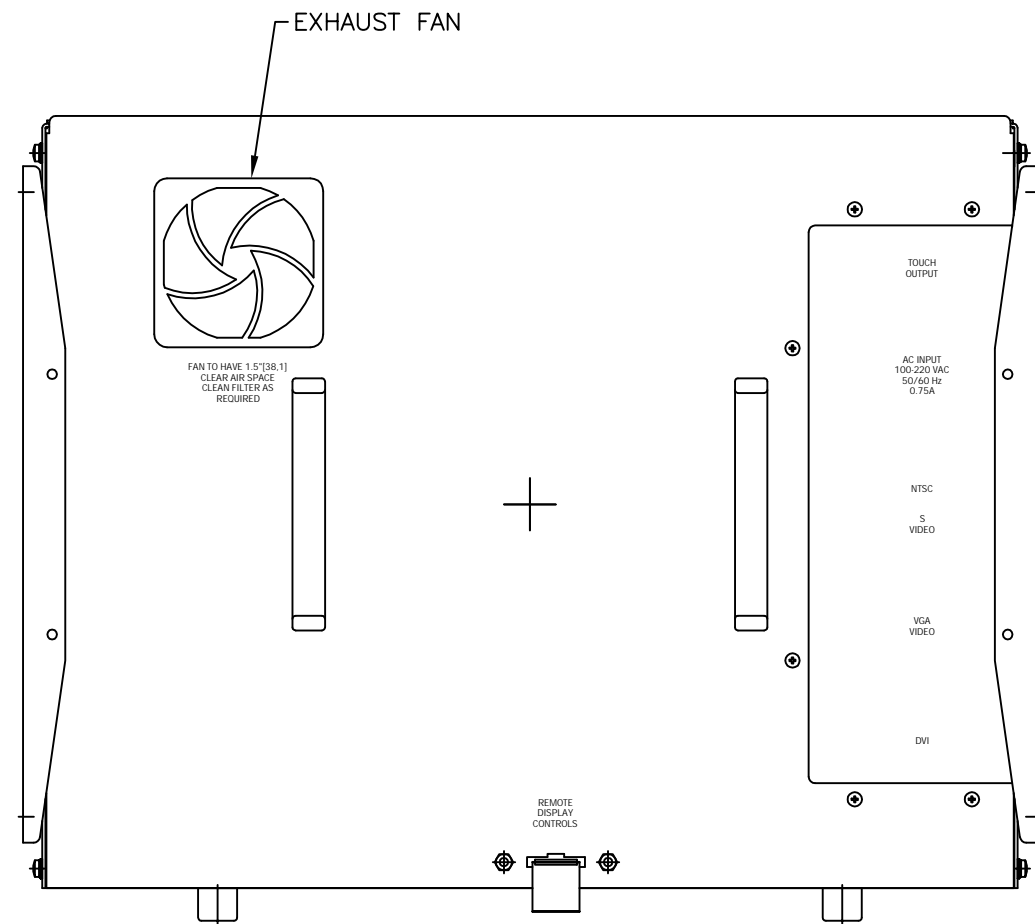
RIGHT SIDE VIEW

NOTES:

1. ALL DIMENSIONS ARE NOMINAL AND FOR REFERENCE ONLY. THIS DRAWING SHOULD NOT BE USE FOR DESIGN PURPOSES.
2. WEIGHT OF UNIT IS 28 LBS.
3. SHIPPING WEIGHT OF UNIT IS 38 LBS.
4. UNIT SHIPPED WITH MOUNTING BRACKETS REMOVED.

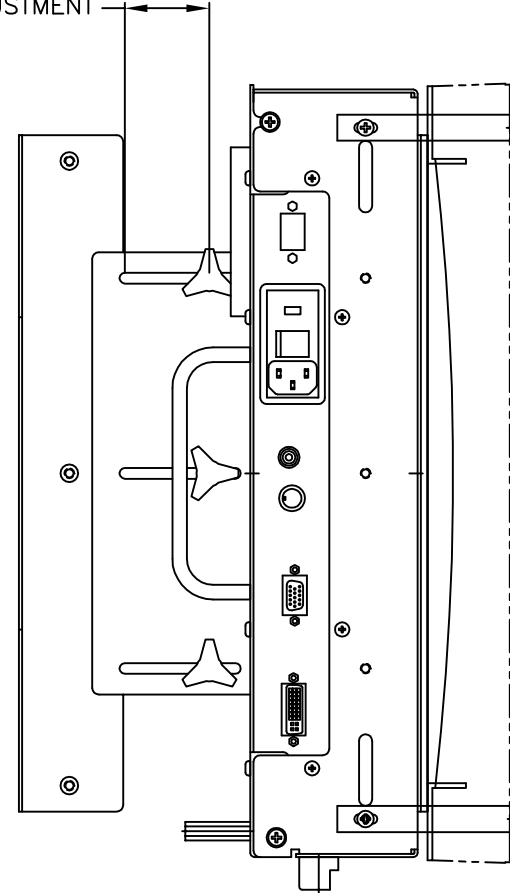
ITEM	QTY	MFR. PT.NO.	DESCRIPTION	SYM/NOTE
LIST OF MATERIALS				
UNLESS OTHERWISE SPECIFIED DIMENSIONS ARE IN INCHES AND APPLY BEFORE FINISH SURFACE ROUGHNESS .125/ TOLERANCE ON FRACTIONS   DECIMALS   ANGLES ± 1/64   ±.XX=.02   ± 1/2		DRAWN DMS	DATE 02/01/05	 <b>VARTECH SYSTEMS</b>  OUTLINE DRAWING VT201CH WITH CURVED IR ADAPTER KIT
MATERIAL		CHECKED	DRAFTING	
FINISH		ENGINEER	MANUF	
APPLICATION		APPROVED	QA	
VT201CH USED ON				
		SIZE D	DWG NO. 601-0155	REV A
		SCALE 1 : 1.75		SHEET 1 OF 2

CHANGE HISTORY		
FILE INDEX	DESCRIPTION	APPROVAL INITIAL DATE
A		



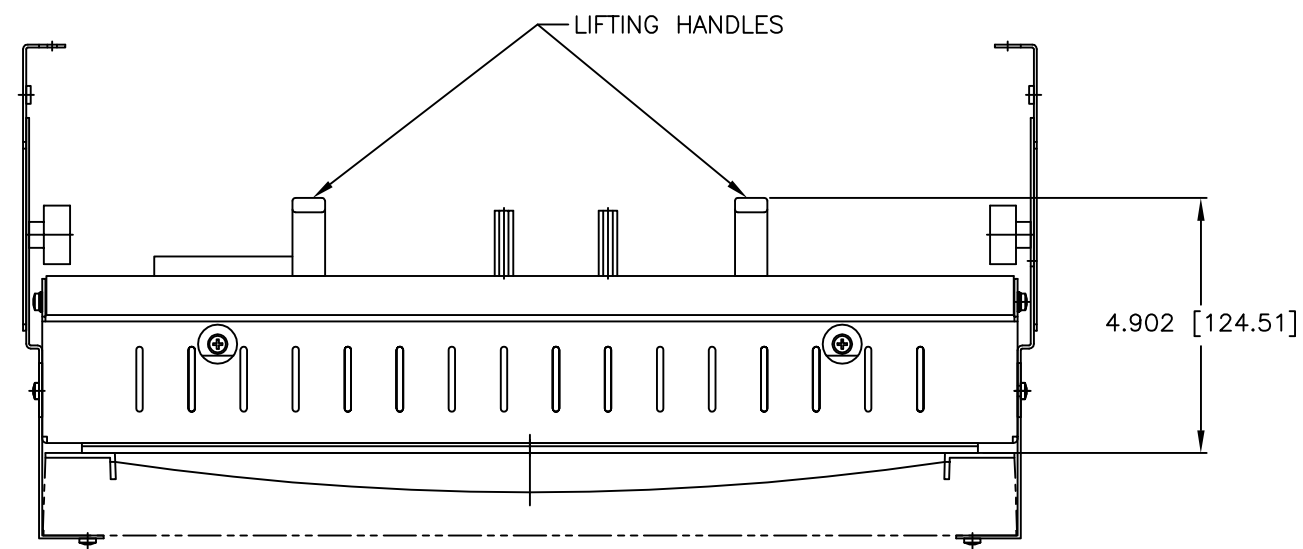
REAR VIEW

1.625 [41.28] ADJUSTMENT



LEFT SIDE VIEW

NEAR SIDE MTG BRKTS NOT SHOWN



BOTTOM VIEW

ITEM	QTY	MFR. PT.NO.	DESCRIPTION	SYM/NOTE
LIST OF MATERIALS				
UNLESS OTHERWISE SPECIFIED DIMENSIONS ARE IN INCHES AND APPLY BEFORE FINISH SURFACE ROUGHNESS .125/ TOLERANCE ON FRACTIONS DECIMALS ANGLES		DATE	 <b>VARTECH SYSTEMS</b> OUTLINE DRAWING VT201CH WITH CURVED IR ADAPTER KIT	
		02/01/05		
		CHECKED		
		DRAFTING		
		ENGINEER		
		MANUF		
		APPROVED		
		QA		
VT201CH	FINISH		SIZE	REV
USED ON			D	A
APPLICATION			DWG NO.	
			601-0155	
			SCALE 1 : 1.75	SHEET 2 OF 2