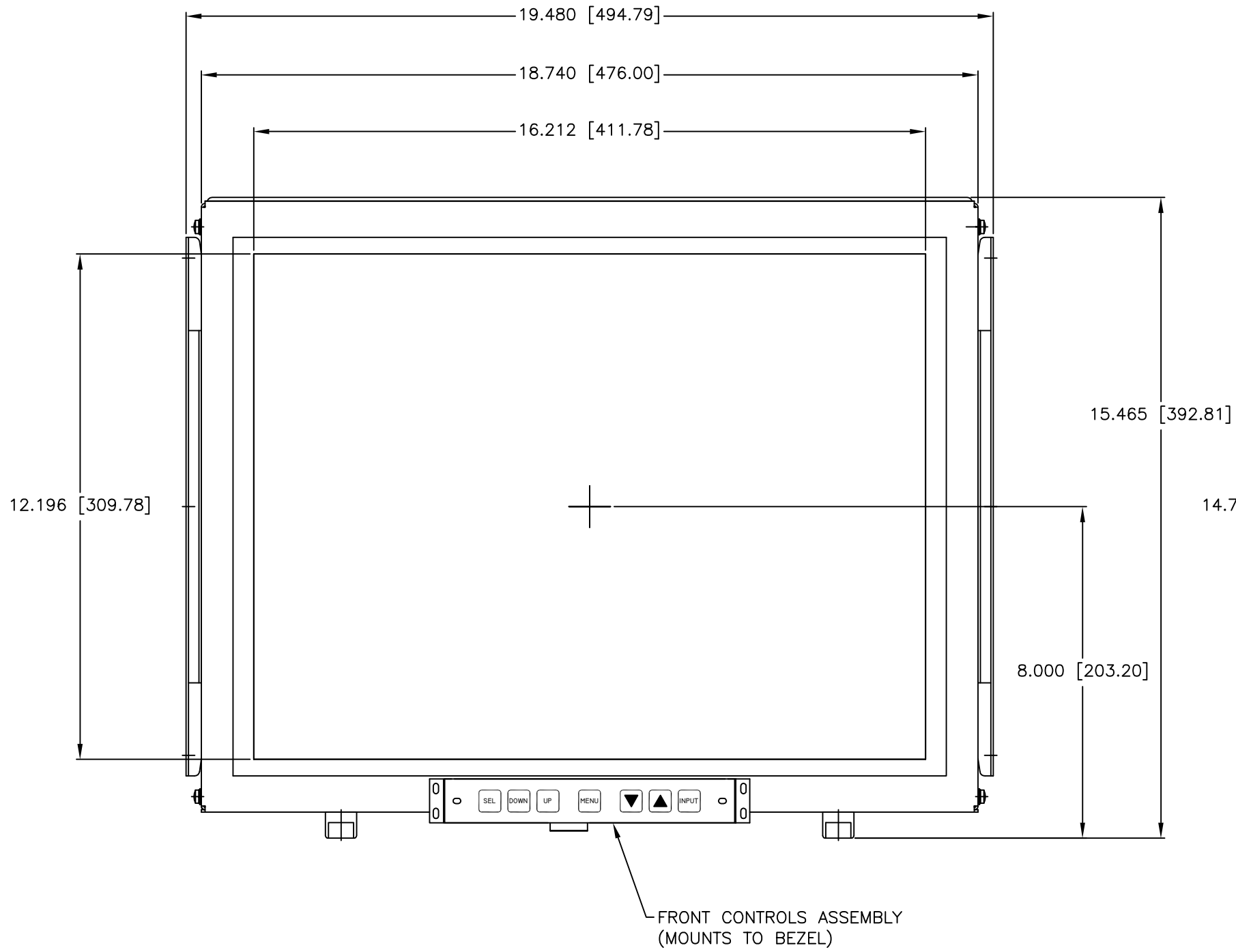
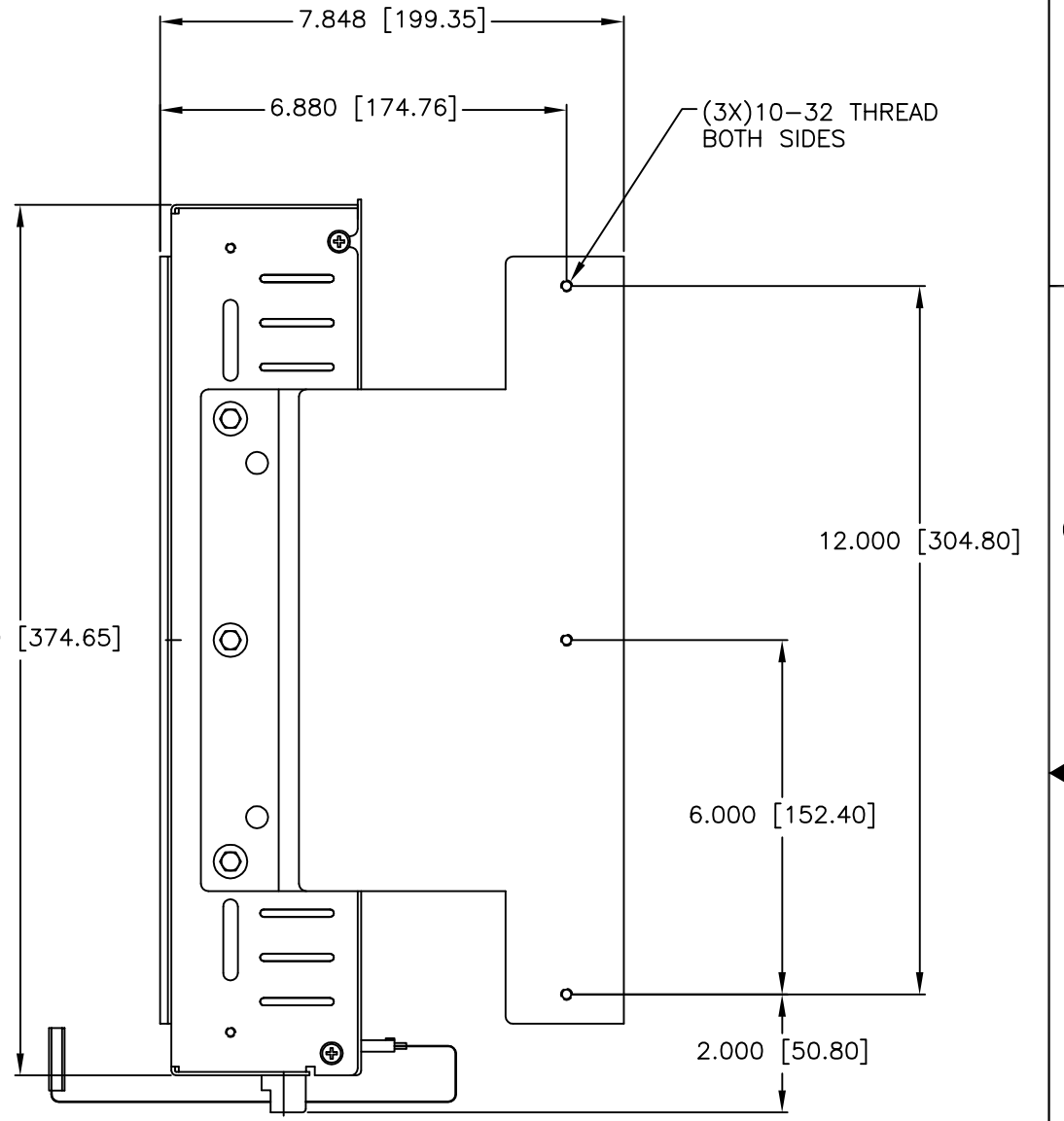


CHANGE HISTORY		
FILE INDEX	DESCRIPTION	APPROVAL INITIAL DATE
1	PRELIMINARY RELEASE	
2	REVISED PER Δ ADDED SILKSCREEN SHT 2	RVJ 10/19/04



FRONT VIEW



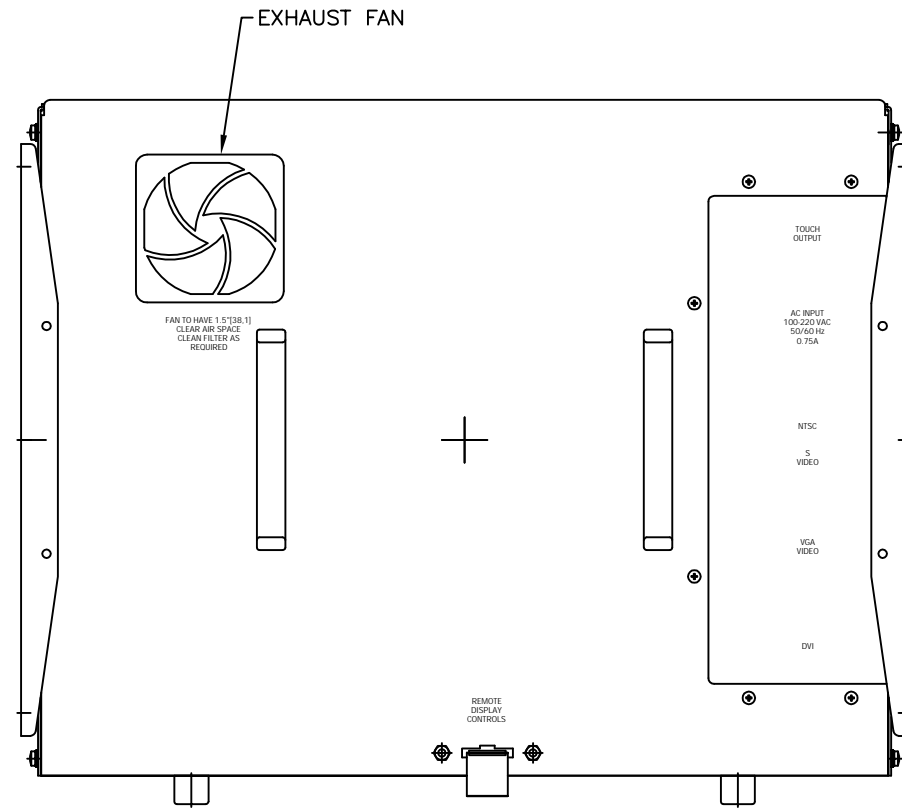
RIGHT SIDE VIEW

NOTES:

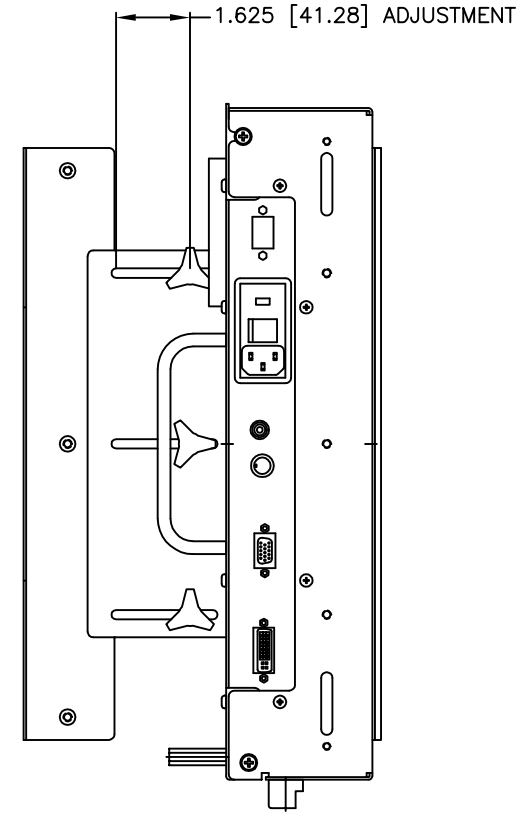
1. ALL DIMENSIONS ARE NOMINAL AND FOR REFERENCE ONLY. THIS DRAWING SHOULD NOT BE USE FOR DESIGN PURPOSES.
2. WEIGHT OF UNIT IS 28 LBS.
3. SHIPPING WEIGHT OF UNIT IS 38 LBS.
4. UNIT SHIPPED WITH MOUNTING BRACKETS REMOVED.

ITEM	QTY	MFR. PT.NO.	DESCRIPTION	SYM/NOTE
LIST OF MATERIALS				
UNLESS OTHERWISE SPECIFIED DIMENSIONS ARE IN INCHES AND APPLY BEFORE FINISH SURFACE ROUGHNESS .125/ TOLERANCE ON FRACTIONS DECIMALS ANGLES		DRAWN DATE RVJ 08/05/03		 VARTECH SYSTEMS OUTLINE DRAWING VT201CH FOR CURVED IR TOUCH
± 1/64 ±.XX=.02 ± 1/2		CHECKED		
MATERIAL		DRAFTING		
FINISH		ENGINEER		
VT201CH USED ON APPLICATION		MANUF		SIZE D
		APPROVED		DWG NO. 601-0074
		QA		REV 2
			SCALE 1 : 1.5	SHEET 1 OF 2

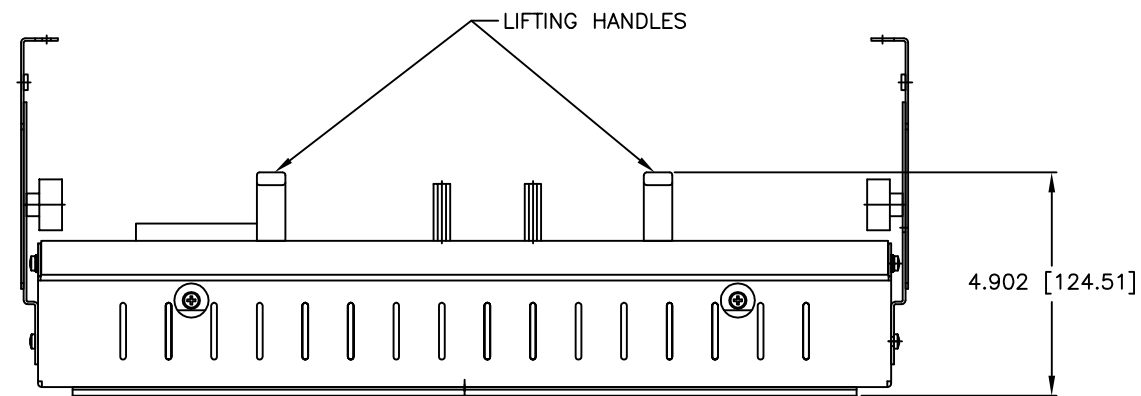
CHANGE HISTORY		
FILE INDEX	DESCRIPTION	APPROVAL INITIAL DATE
2		



REAR VIEW



LEFT SIDE VIEW
NEARSIDE MTG BRKTS NOT SHOWN



BOTTOM VIEW

ITEM	QTY	MFR. PT.NO.	DESCRIPTION	SYM/NOTE
LIST OF MATERIALS				
UNLESS OTHERWISE SPECIFIED DIMENSIONS ARE IN INCHES AND APPLY BEFORE FINISH SURFACE ROUGHNESS .125/ TOLERANCE ON FRACTIONS DECIMALS ANGLES ± 1/64 ±.XX=.02 ± 1/2		DRAWN RVJ	DATE 08/05/03	 VARTECH SYSTEMS OUTLINE DRAWING VT201CH FOR CURVED IR TOUCH
MATERIAL		CHECKED	DRAFTING	
FINISH		ENGINEER	MANUF	
APPLICATION		APPROVED	QA	
VT201CH		SIZE	DWG NO.	REV
USED ON		D	601-0074	2
SCALE 1 : 2		SHEET 2 OF 2		