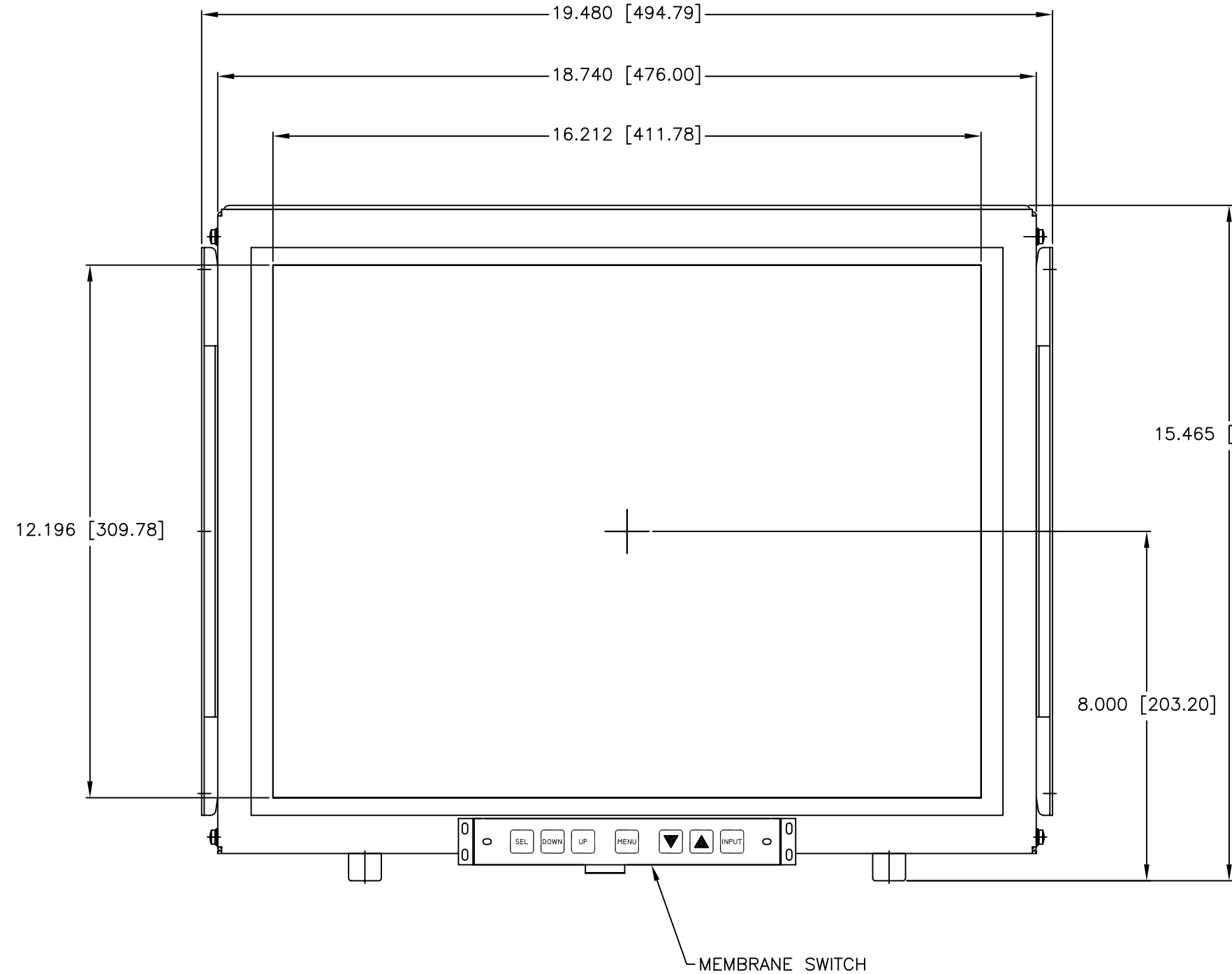
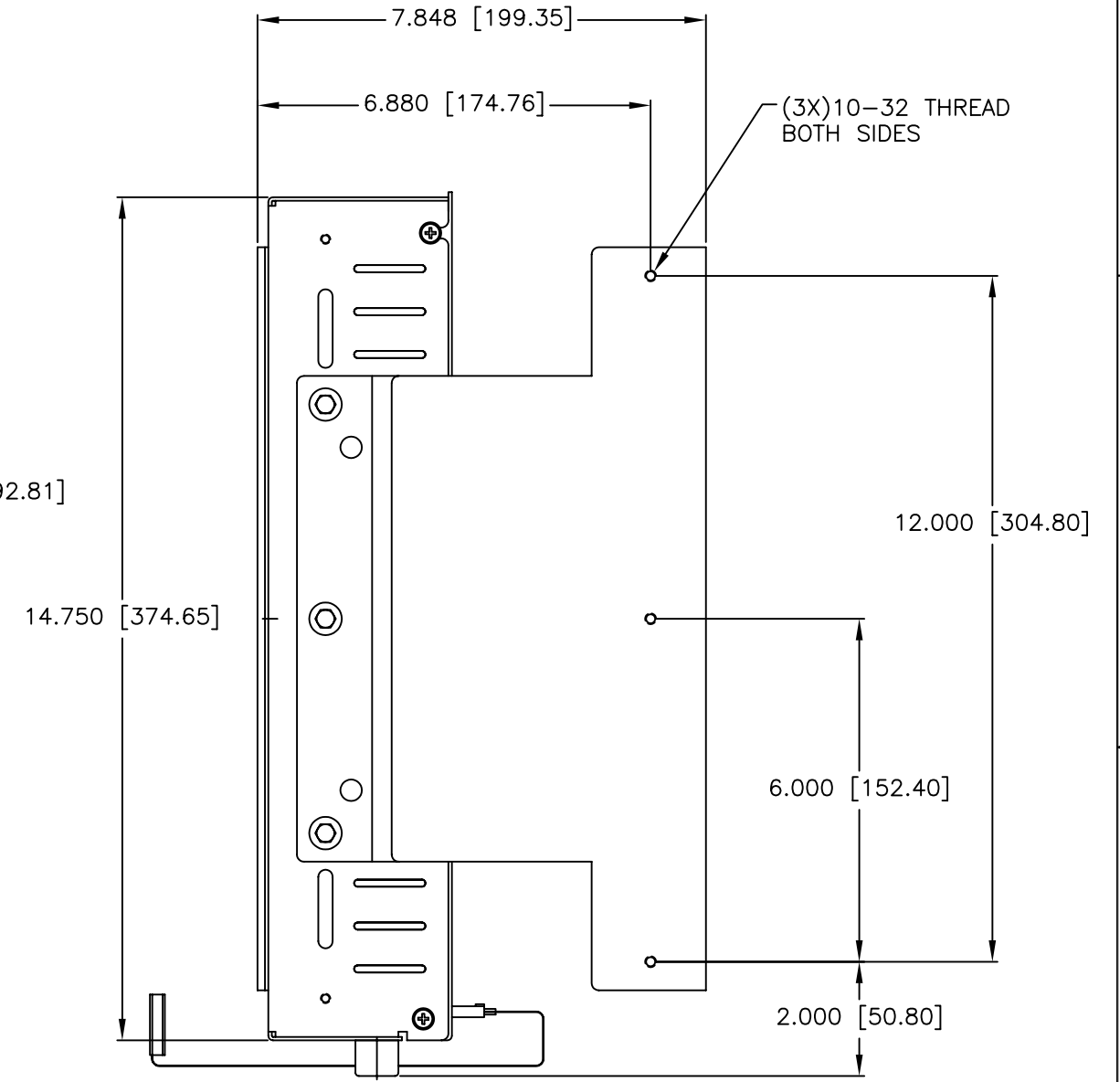


CHANGE HISTORY		
FILE INDEX	DESCRIPTION	APPROVAL INITIAL DATE
1	PRELIMINARY RELEASE	



FRONT VIEW



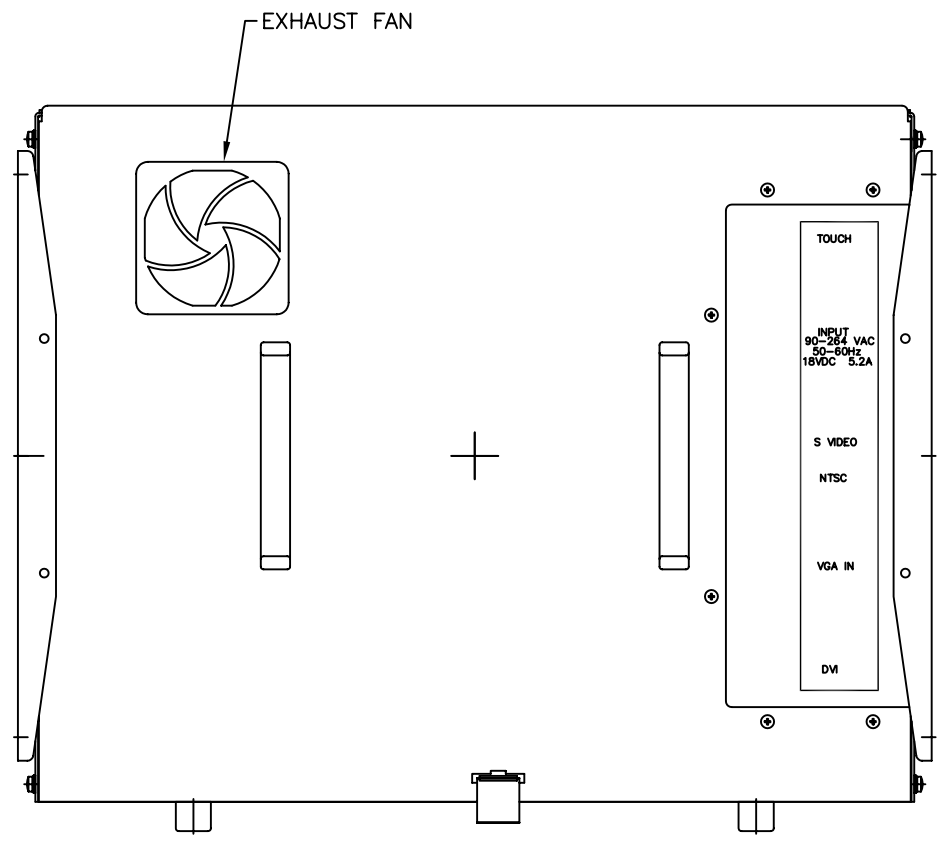
RIGHT SIDE VIEW

- NOTES:
1. ALL DIMENSIONS ARE NOMINAL AND FOR REFERENCE ONLY. THIS DRAWING SHOULD NOT BE USE FOR DESIGN PURPOSES.
 2. WEIGHT OF UNIT IS XX LBS.
 3. SHIPPING WEIGHT OF UNIT IS XX LBS.
 4. UNIT SHIPPED WITH MOUNTING BRACKETS REMOVED.

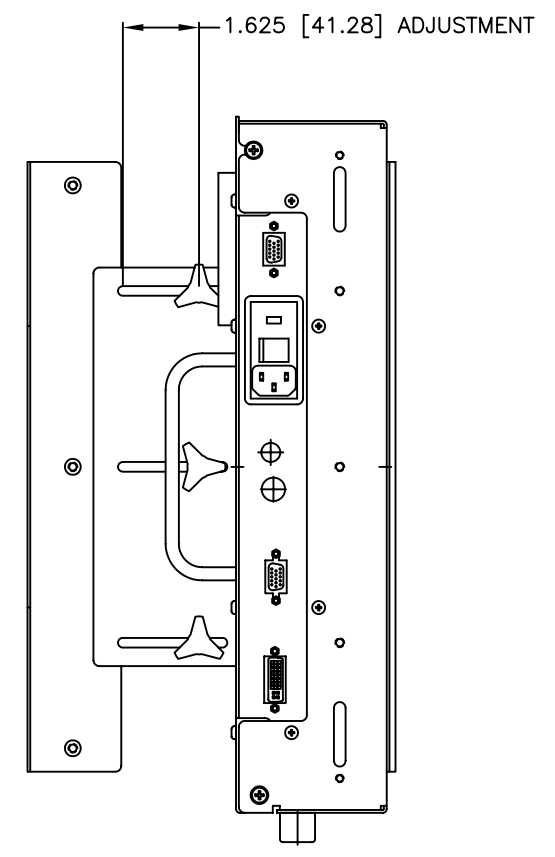
ITEM	QTY	MFR. PT.NO.	DESCRIPTION	SYM/NOTE
LIST OF MATERIALS				
UNLESS OTHERWISE SPECIFIED DIMENSIONS ARE IN INCHES AND APPLY BEFORE FINISH SURFACE ROUGHNESS .125/ TOLERANCE ON FRACTIONS DECIMALS ANGLES ± 1/64 ± .XX=.02 ± 1/2		DRAWN RVJ	DATE 08/05/03	 VARTECH SYSTEMS OUTLINE DRAWING VT201CH
		CHECKED		
		DRAFTING ENGINEER		
		MANUF		
		APPROVED		SIZE D
		QA		DWG NO. 601-0074
VT201CH				REV 1
USED ON				
APPLICATION				
SCALE 1 : 1.5			SHEET 1 OF 2	

8 7 6 5 4 3 2 1

CHANGE HISTORY		
FILE INDEX	DESCRIPTION	APPROVAL INITIAL DATE
1	PRELIMINARY RELEASE	

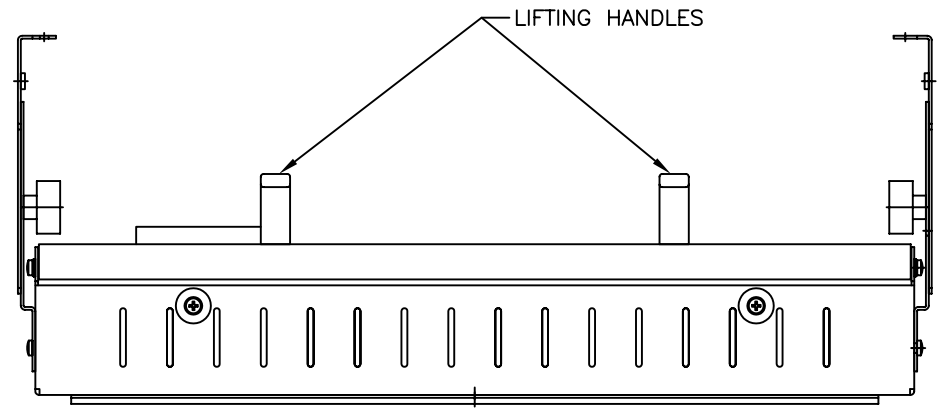


REAR VIEW



LEFT SIDE VIEW

MTG BRKTS NOT SHOWN



BOTTOM VIEW

ITEM	QTY	MFR. PT.NO.	DESCRIPTION	SYM/NOTE
LIST OF MATERIALS				
UNLESS OTHERWISE SPECIFIED DIMENSIONS ARE IN INCHES AND APPLY BEFORE FINISH SURFACE ROUGHNESS .125/ TOLERANCE ON FRACTIONS DECIMALS ANGLES ± 1/64 ± .XX=.02 ± 1/2		DRAWN RVJ	DATE 08/05/03	 VARTECH SYSTEMS OUTLINE DRAWING VT201CH
		CHECKED		
		DRAFTING		
		ENGINEER		
		MANUF		
		APPROVED		SIZE D
		QA		DWG NO. 601-0074
VT201CH				REV 1
USED ON				
APPLICATION				
SCALE 1 : 2			SHEET 2 OF 2	

8 7 6 5 4 3 2 1