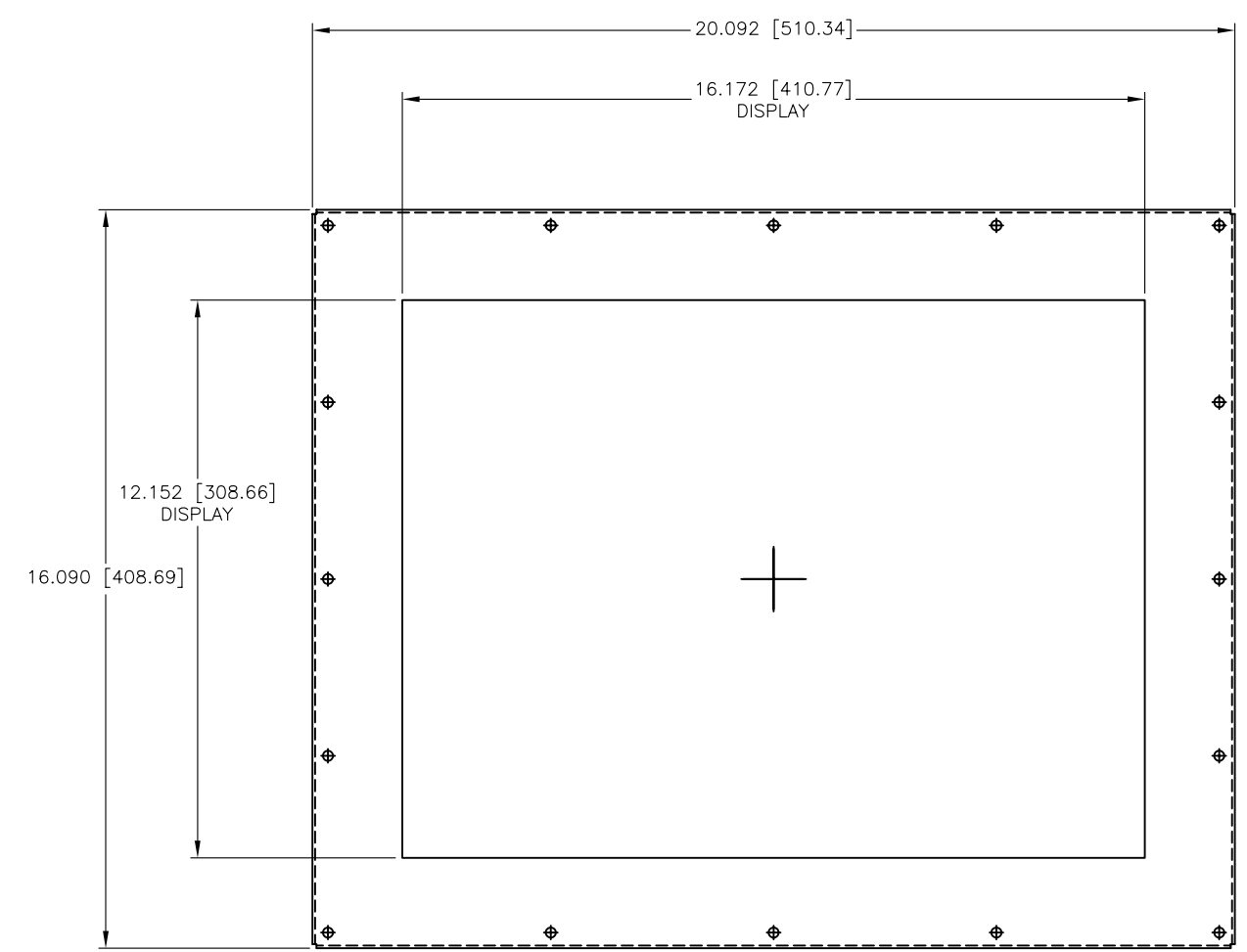
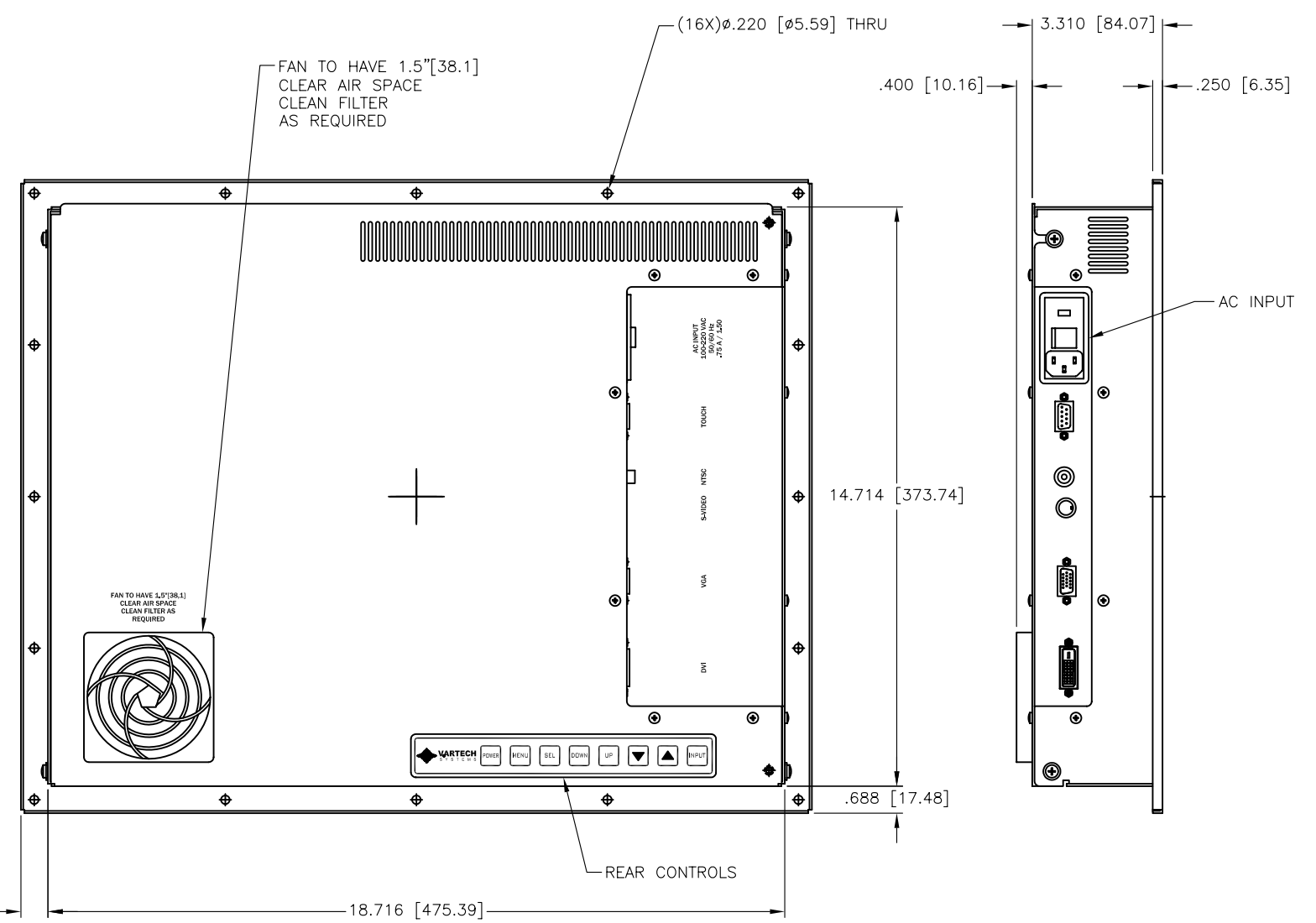


CHANGE HISTORY		
FILE INDEX	DESCRIPTION	APPROVAL INITIAL DATE
1	PRELIMINARY RELEASE	



FRONT VIEW



REAR VIEW

CONNECTOR VIEW

NOTES:

1. ALL DIMENSIONS ARE NOMINAL AND FOR REFERENCE ONLY. THIS DRAWING SHOULD NOT BE USED FOR DESIGN PURPOSES.
2. WEIGHT OF UNIT IS XXX LBS.
3. SHIPPING WEIGHT OF UNIT IS XXX LBS.

ITEM	QTY	MFR. PT.NO.	DESCRIPTION	SYM/NOTE
LIST OF MATERIALS				
UNLESS OTHERWISE SPECIFIED DIMENSIONS ARE IN INCHES AND APPLY BEFORE FINISH SURFACE ROUGHNESS .125/ TOLERANCE ON FRACTIONS   DECIMALS   ANGLES ± 1/64   ± .XX=.02   ± 1/2		DRAWN TAM	DATE 09/25/06	 <b>VARTECH SYSTEMS</b>
		CHECKED		
		DRAFTING ENGINEER		
		MANUF		
		APPROVED		<b>OUTLINE DRAWING</b> <b>VT201C</b>
		QA		
VT201C		FINISH	SIZE D	DWG NO. 601-0232
USED ON				REV 1
APPLICATION			SCALE 1 : 2	SHEET 1 OF 2

8 7 6 5 4 3 2 1

CHANGE HISTORY		
FILE INDEX	DESCRIPTION	APPROVAL INITIAL DATE
1	PRELIMINARY RELEASE	

D

D

C

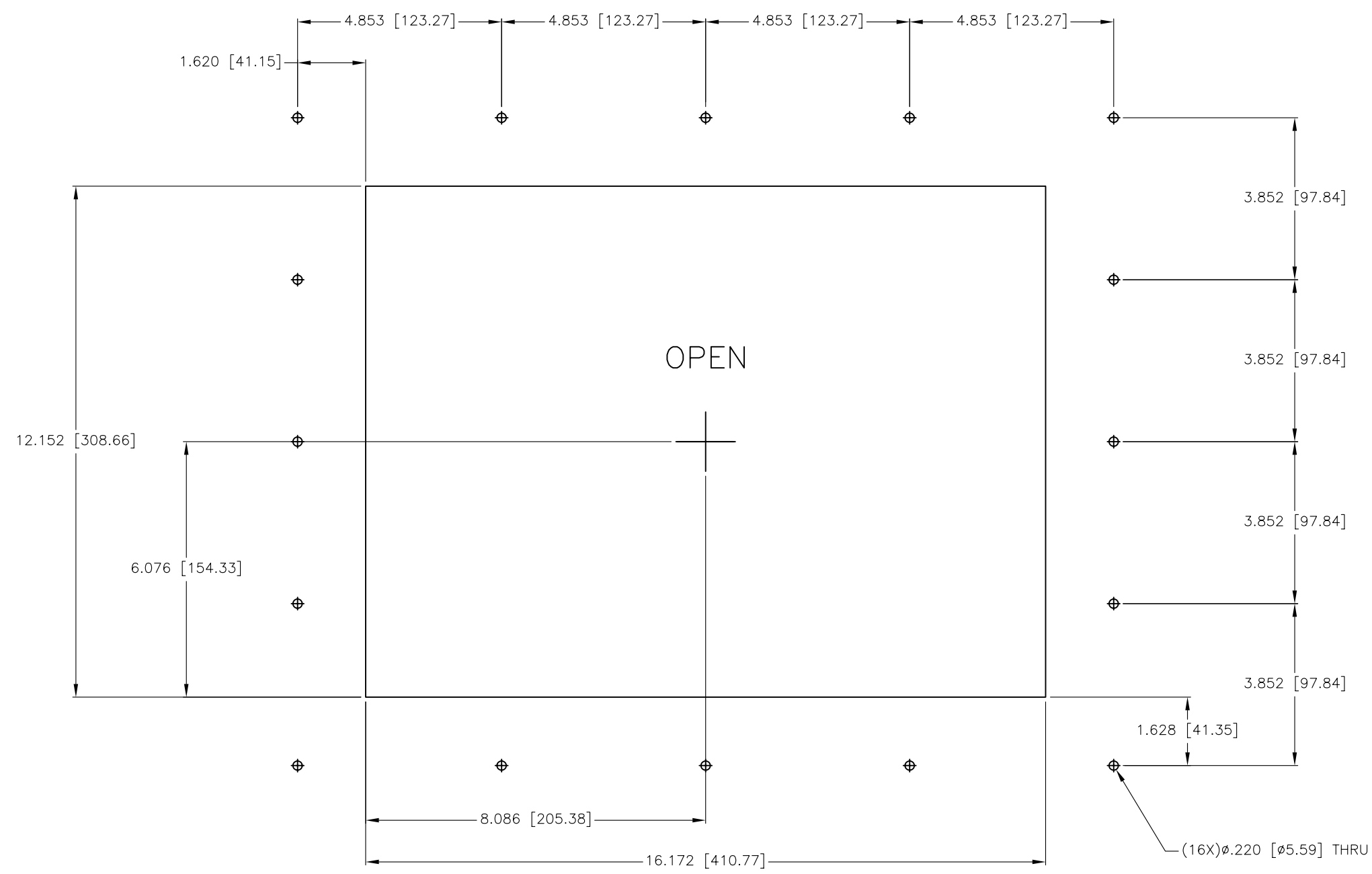
C

B

B

A

A



CONSOLE CUTOUT PATTERN

ITEM	QTY	MFR. PT.NO.	DESCRIPTION	SYM/NOTE
LIST OF MATERIALS				
UNLESS OTHERWISE SPECIFIED DIMENSIONS ARE IN INCHES AND APPLY BEFORE FINISH SURFACE ROUGHNESS .125/ TOLERANCE ON		DRAWN	DATE	 <b>VARTECH SYSTEMS</b> OUTLINE DRAWING VT201C
FRACTIONS   DECIMALS   ANGLES		TAM	09/25/06	
± 1/64   ±.XX=.02   ± 1/2		CHECKED		
± .XXX=.005		DRAFTING		
MATERIAL		ENGINEER		SIZE
FINISH		MANUF		DWG NO.
VT201C		APPROVED		REV
USED ON		QA		1
APPLICATION				SCALE 1 : 1.50
				SHEET 2 OF 2

8 7 6 5 4 3 2 1

FILE NUMBER: 6010232B-R1