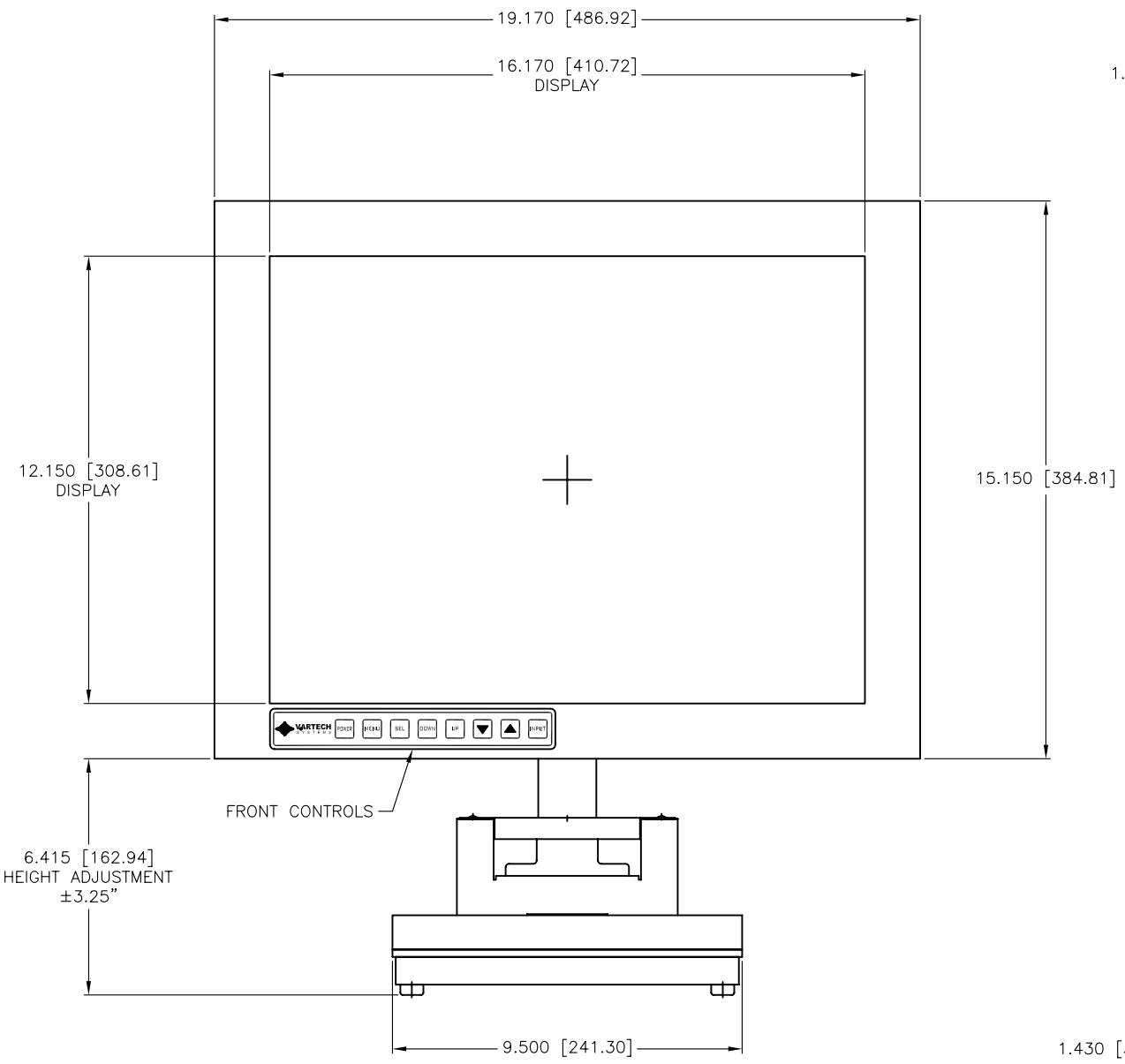
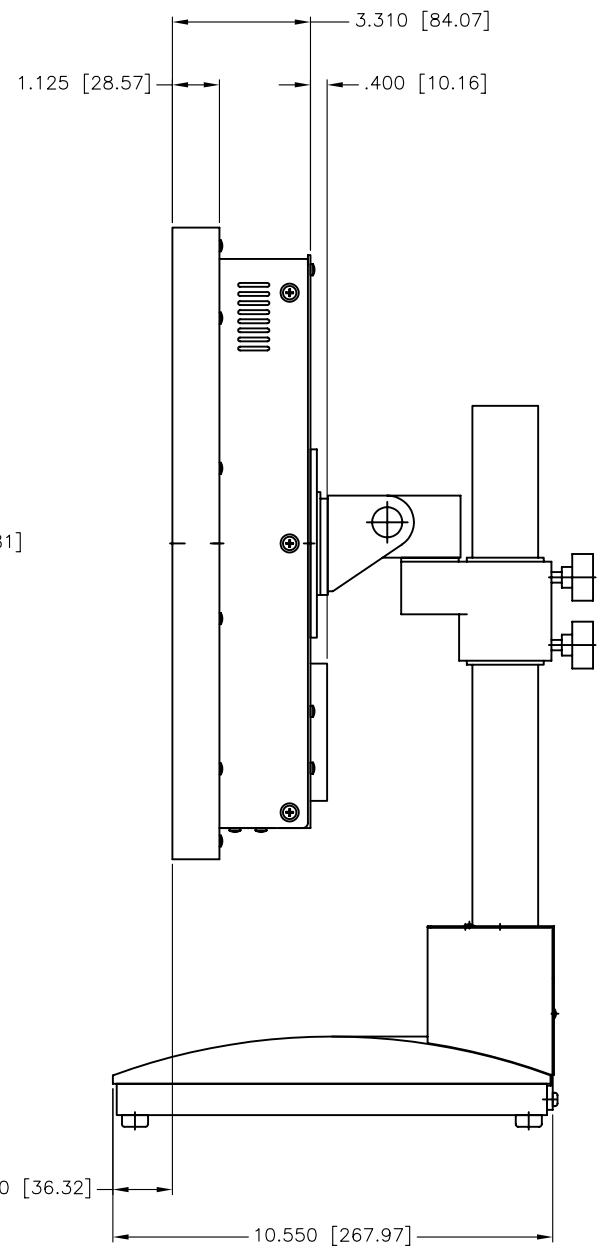


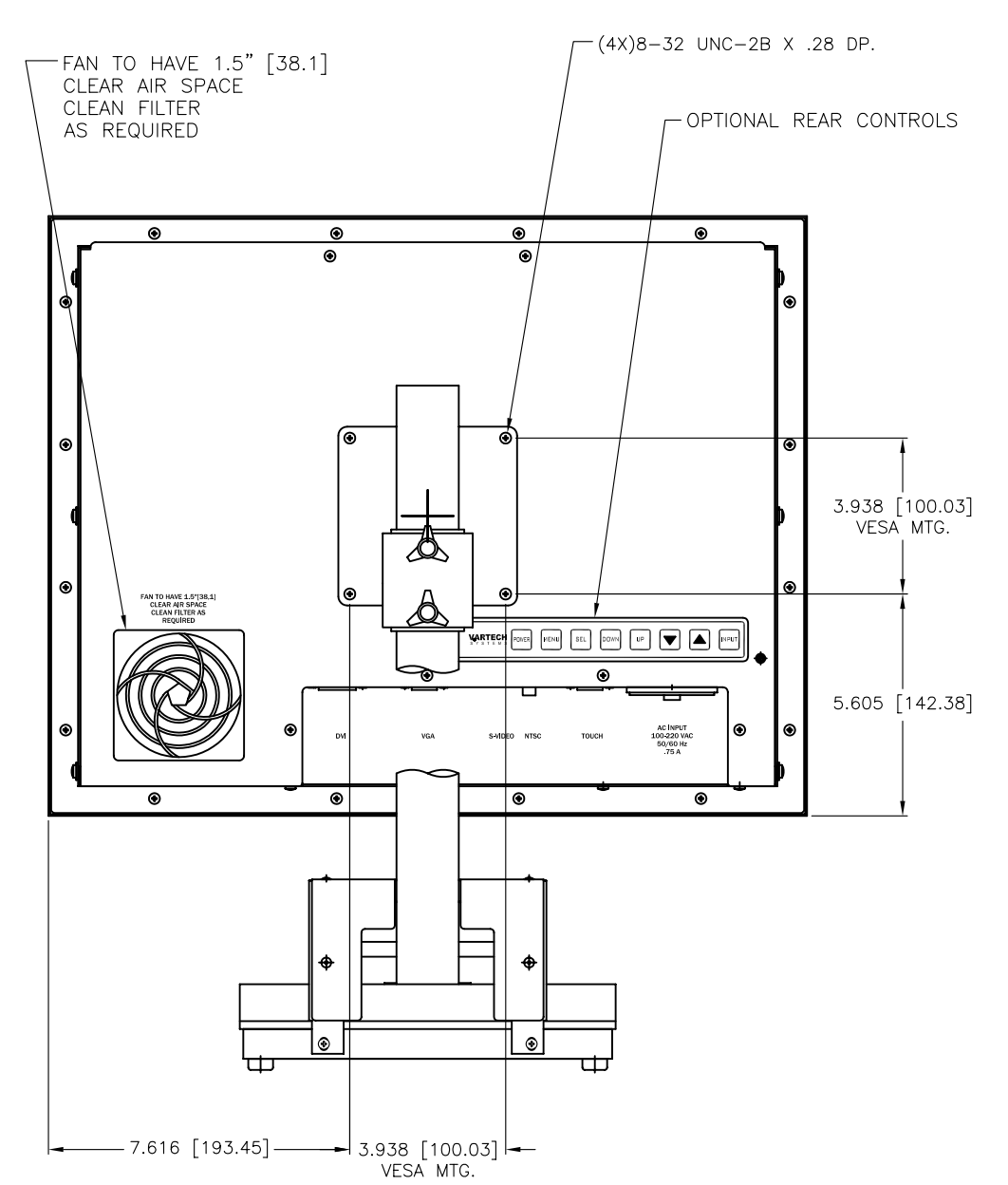
CHANGE HISTORY		
FILE INDEX	DESCRIPTION	APPROVAL INITIAL DATE
1	PRELIMINARY RELEASE	



FRONT VIEW

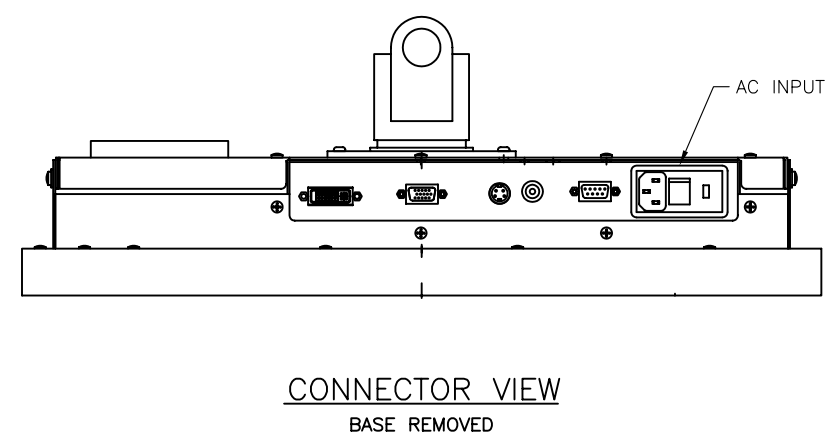


SIDE VIEW



REAR VIEW

NOTES:
1- ALL DIMENSIONS ARE NOMINAL AND FOR REFERENCE ONLY. THIS DRAWING SHOULD NOT BE USED FOR DESIGN PURPOSES.
2- WEIGHT OF UNIT IS XX LBS TOTAL
3- UNIT WILL BE SHIPPED IN TWO BOXES. SHIPPING WEIGHT.
MONITOR - XX LBS
BASE - 34 LBS



ITEM	QTY	MFR. PT.NO.	DESCRIPTION	SYM/NOTE
LIST OF MATERIALS				
UNLESS OTHERWISE SPECIFIED DIMENSIONS ARE IN INCHES AND APPLY BEFORE FINISH SURFACE ROUGHNESS .125/ TOLERANCE ON FRACTIONS DECIMALS ANGLES ± 1/64 ±.XX=.02 ± 1/2 ±.XXX=.005		DRAWN TAM	DATE 09/26/06	VARTECH SYSTEMS
		CHECKED		
		DRAFTING		
		ENGINEER		
MATERIAL		MANUF		OUTLINE DRAWING VT201M / VT201MHB
VT201M		APPROVED		
VT201MHB		QA		
FINISH				SIZE D
USED ON				DWG NO. 601-0238
APPLICATION				REV 1
			SCALE 1 : 2.25	SHEET 1 OF 1