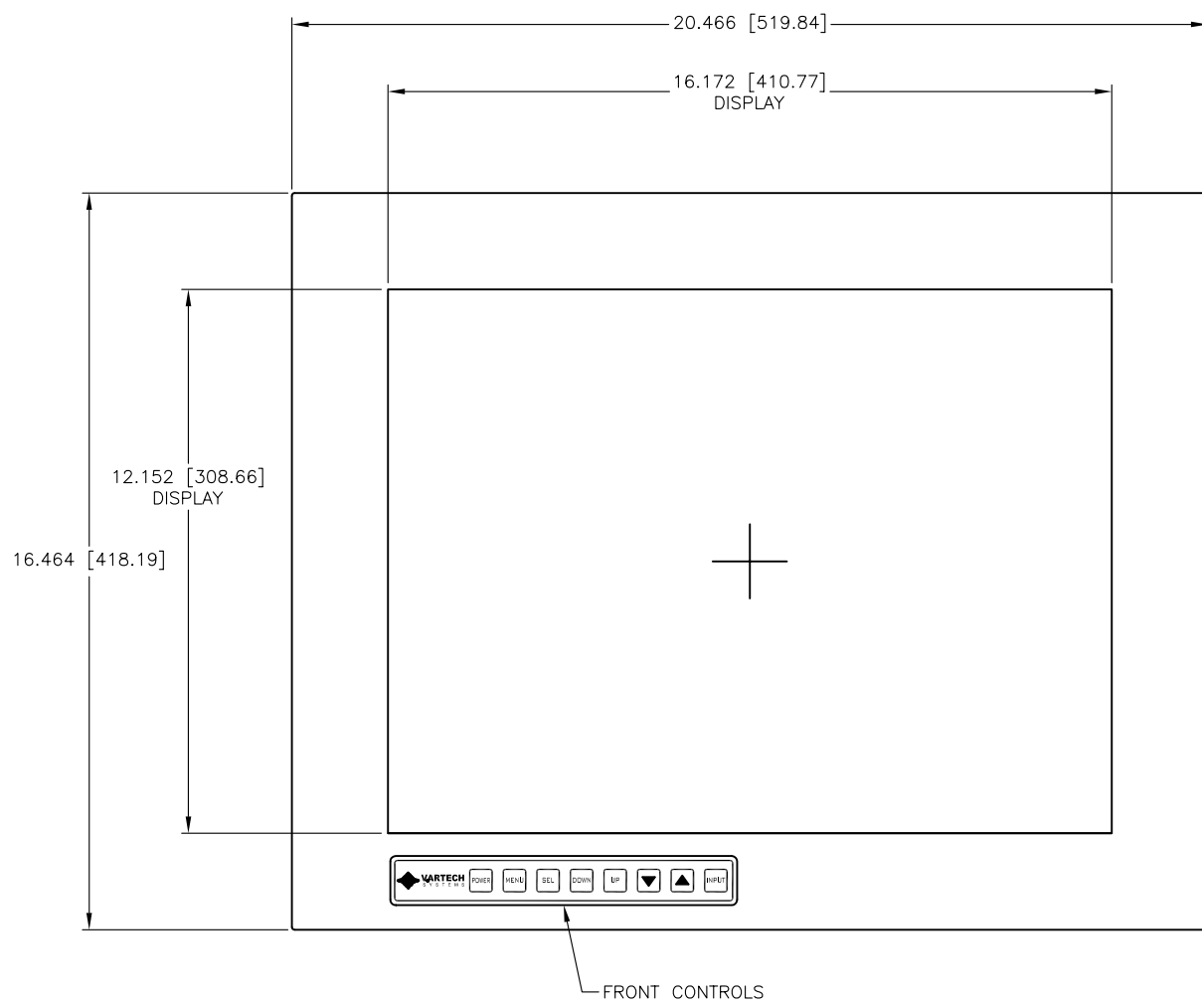
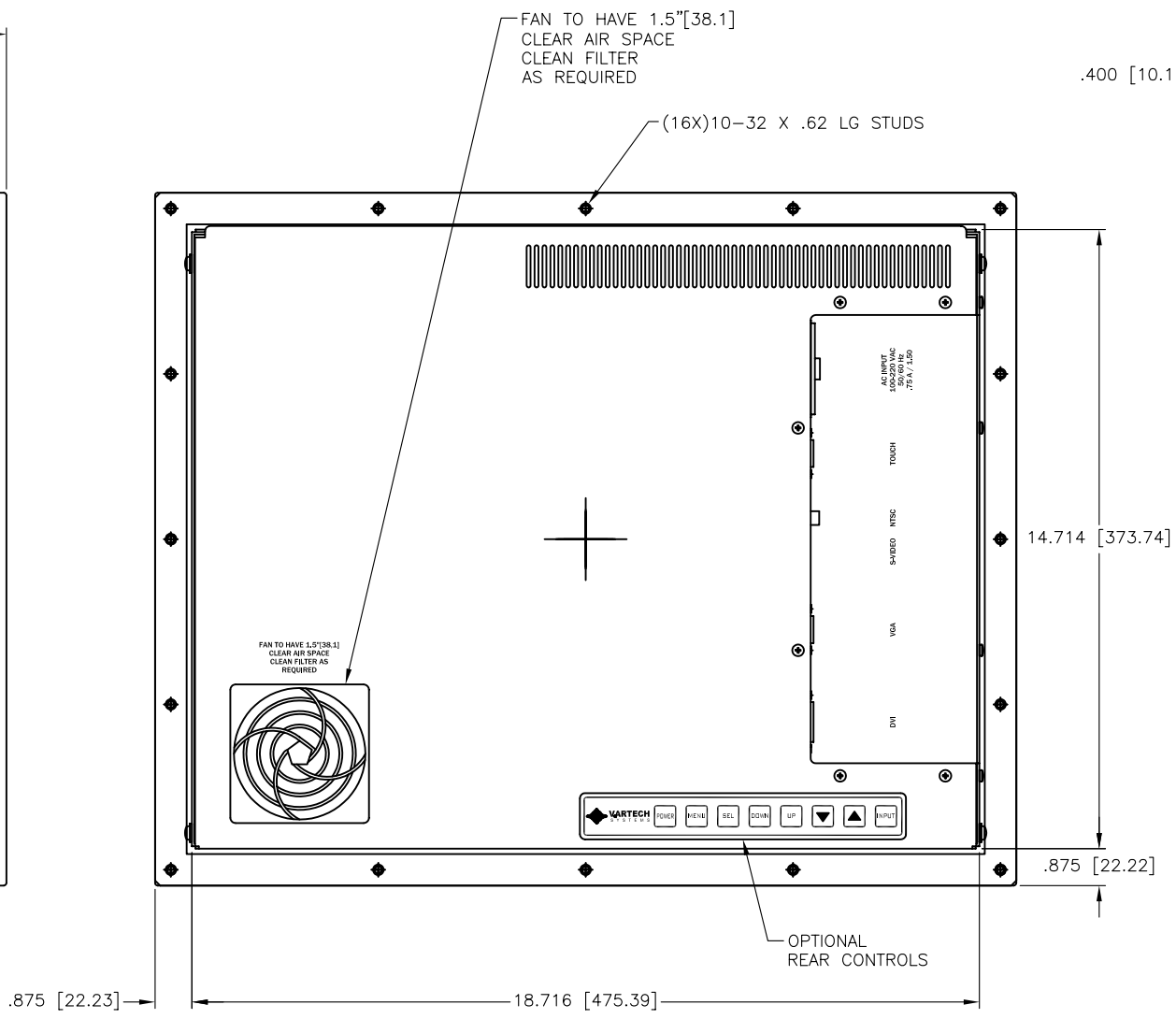


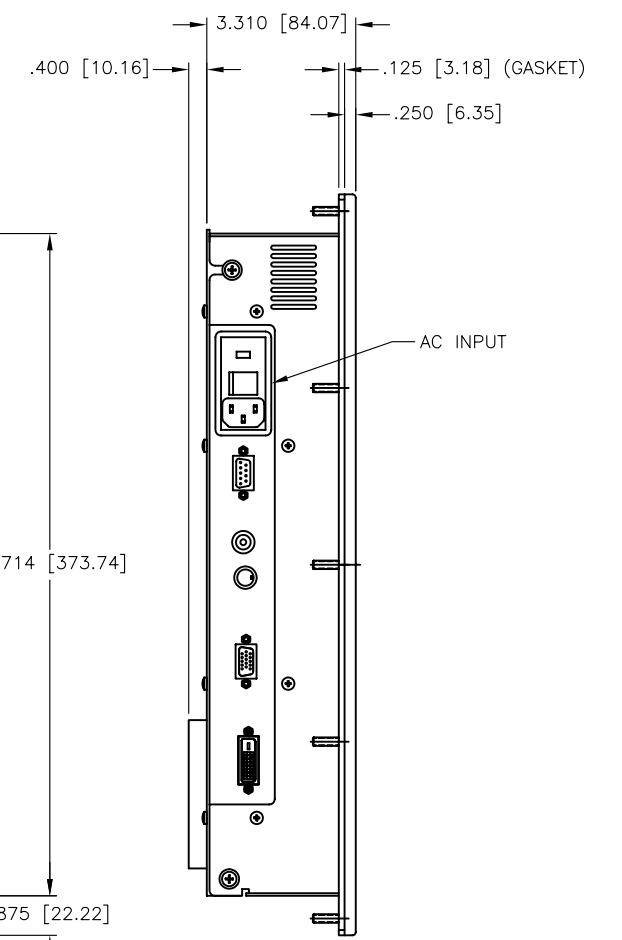
CHANGE HISTORY		
FILE INDEX	DESCRIPTION	APPROVAL INITIAL DATE
1	PRELIMINARY RELEASE	



FRONT VIEW



REAR VIEW



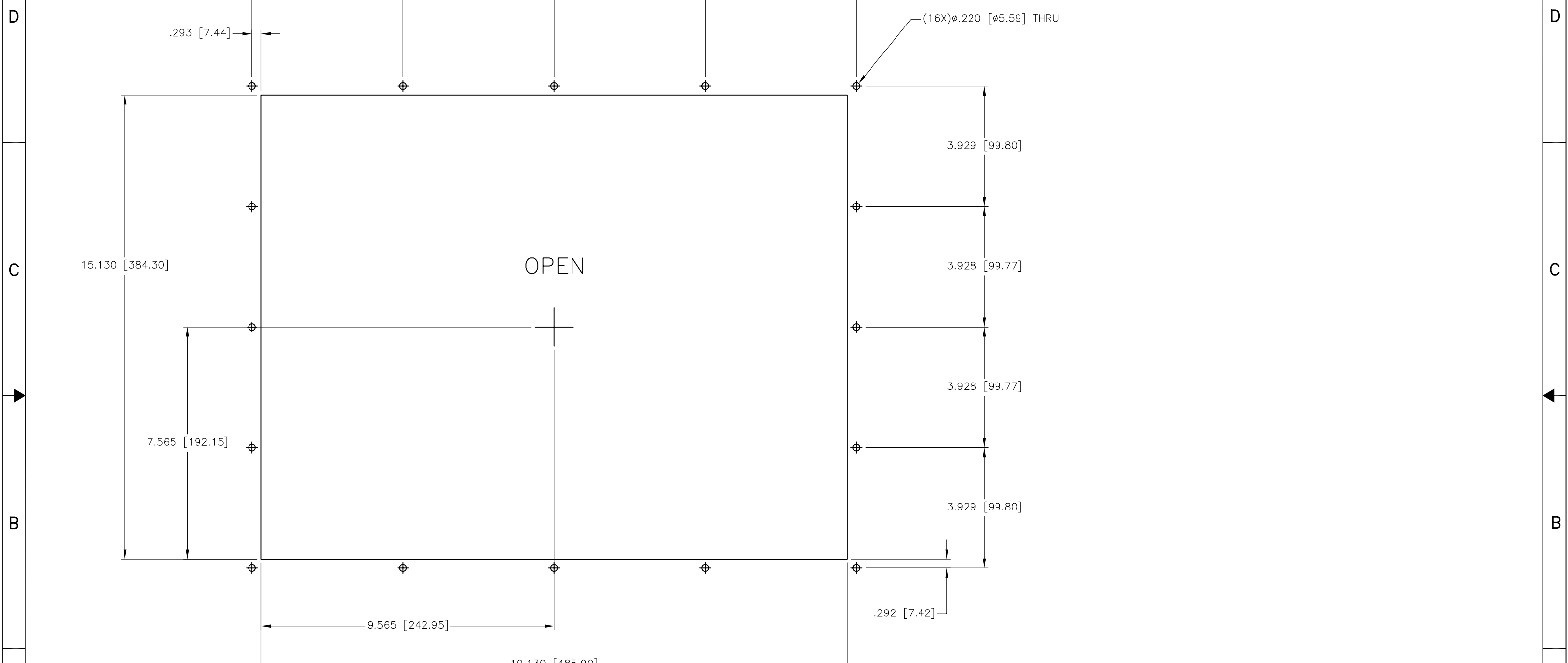
CONNECTOR VIEW

- NOTES:
- ALL DIMENSIONS ARE NOMINAL AND FOR REFERENCE ONLY. THIS DRAWING SHOULD NOT BE USED FOR DESIGN PURPOSES.
 - WEIGHT OF UNIT IS XXX LBS.
 - SHIPPING WEIGHT OF UNIT IS XXX LBS.


ITEM	QTY	MFR. PT.NO.	DESCRIPTION	SYM/NOTE						
LIST OF MATERIALS										
UNLESS OTHERWISE SPECIFIED DIMENSIONS ARE IN INCHES AND APPLY BEFORE FINISH SURFACE ROUGHNESS .125/ TOLERANCE ON FRACTIONS DECIMALS ANGLES		DRAWN DATE TAM 11/13/06		 VARTECH SYSTEMS						
± 1/64 ±.002 ± 1/2		CHECKED								
MATERIAL		DRAFTING								
FINISH		ENGINEER								
VT201P USED ON APPLICATION		MANUF APPROVED		<table border="1"> <tr> <td>SIZE</td> <td>DWG NO.</td> <td>REV</td> </tr> <tr> <td>D</td> <td>601-0236</td> <td>1</td> </tr> </table>	SIZE	DWG NO.	REV	D	601-0236	1
SIZE	DWG NO.	REV								
D	601-0236	1								
SCALE 1 : 2			SHEET 1 OF 2							
FILE NUMBER: 6010236A-R1										

8 7 6 5 4 3 2 1

CHANGE HISTORY		
FILE INDEX	DESCRIPTION	APPROVAL INITIAL DATE
1	PRELIMINARY RELEASE	



PANEL CUTOUT PATTERN

ITEM	QTY	MFR. PT.NO.	DESCRIPTION	SYM/NOTE
LIST OF MATERIALS				
UNLESS OTHERWISE SPECIFIED DIMENSIONS ARE IN INCHES AND APPLY BEFORE FINISH SURFACE ROUGHNESS .125/ TOLERANCE ON FRACTIONS DECIMALS ANGLES ± 1/64 ±.XX=.02 ± 1/2		DRAWN TAM	DATE 11/13/06	 VARTECH SYSTEMS OUTLINE DRAWING VT201P
		CHECKED		
		DRAFTING		
		ENGINEER		
		MANUF		
		APPROVED		SIZE D
		QA		DWG NO. 601-0236
				REV 1
				SCALE1 : 1.50
				SHEET 2 OF 2

8 7 6 5 4 3 2 1

FILE NUMBER: 6010236B-R1