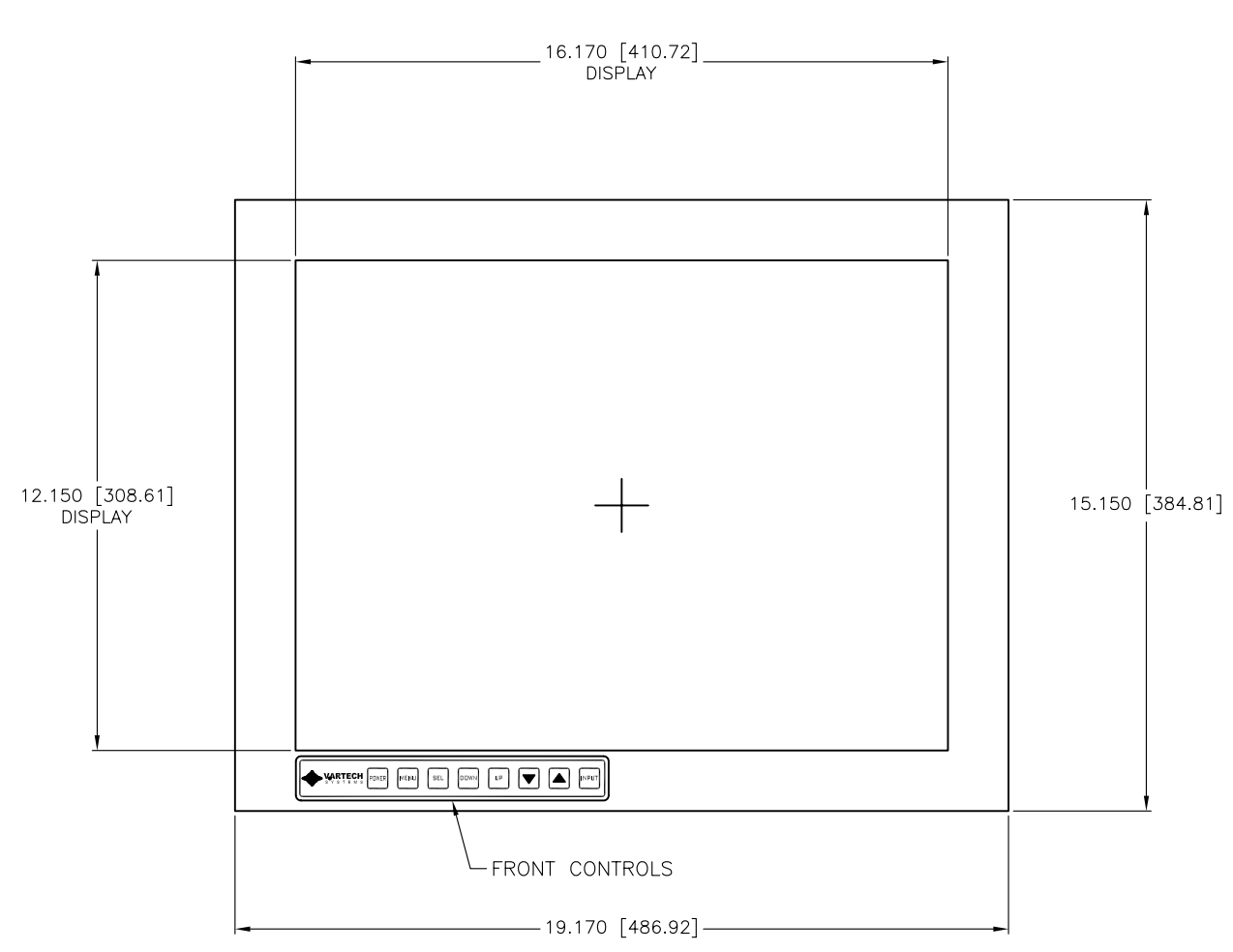
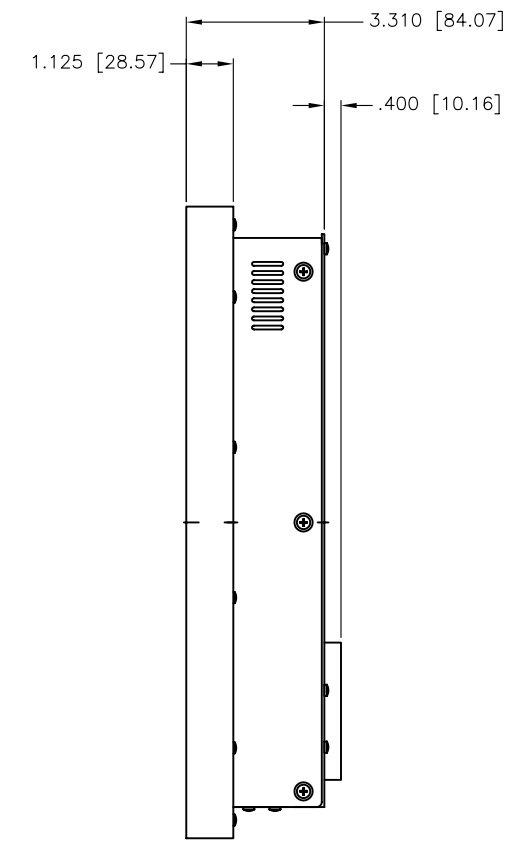


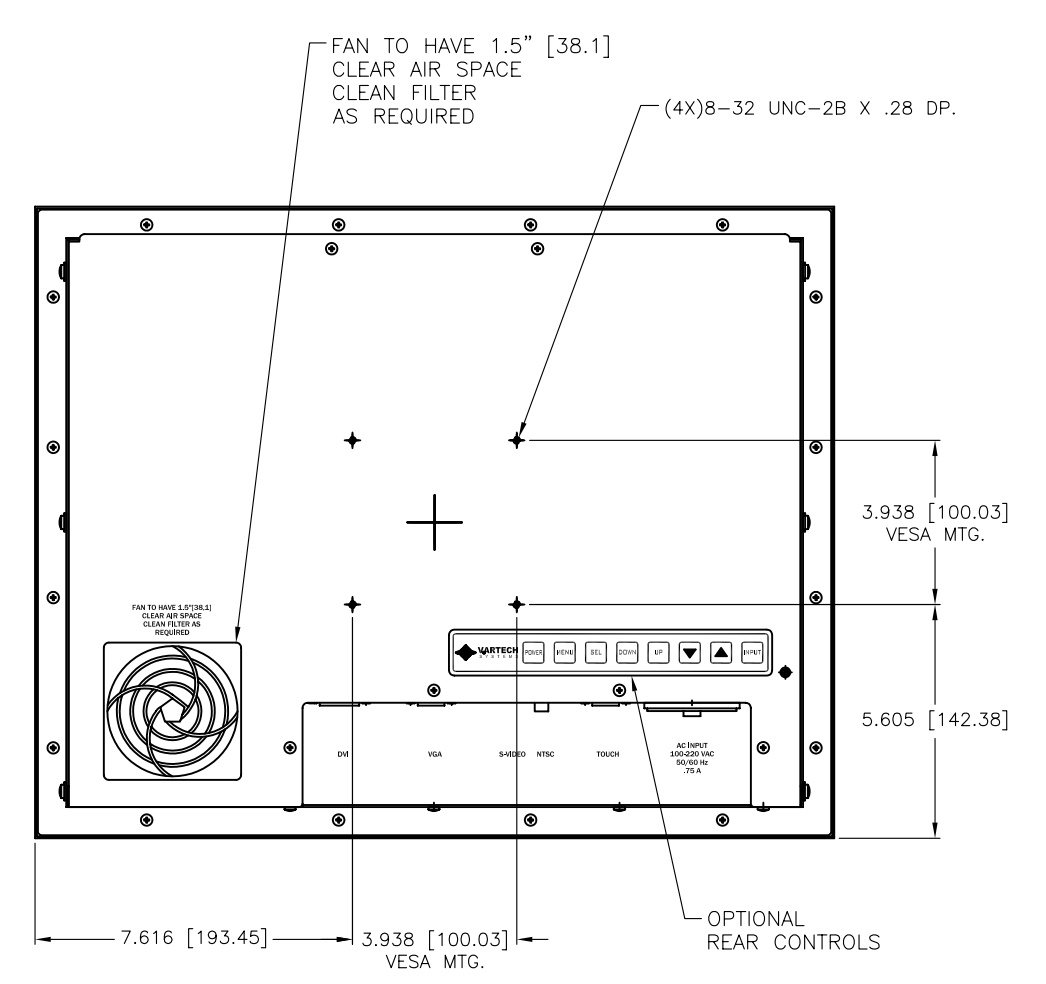
CHANGE HISTORY		
FILE INDEX	DESCRIPTION	APPROVAL INITIAL DATE
1	PRELIMINARY RELEASE	



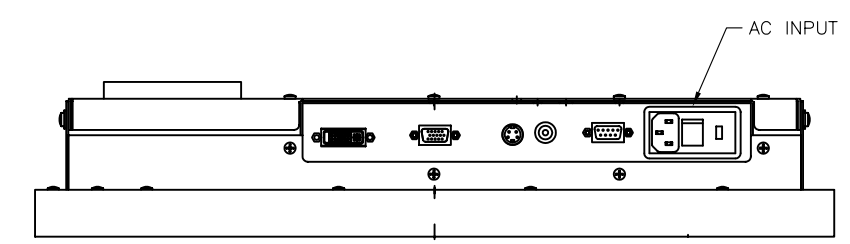
FRONT VIEW



SIDE VIEW



REAR VIEW



CONNECTOR VIEW

NOTES:

1. ALL DIMENSIONS ARE NOMINAL AND FOR REFERENCE ONLY. THIS DRAWING SHOULD NOT BE USED FOR DESIGN PURPOSES.
2. WEIGHT OF UNIT IS XXX LBS.
3. SHIPPING WEIGHT OF UNIT IS XXX LBS.

ITEM	QTY	MFR. PT.NO.	DESCRIPTION	SYM/NOTE
LIST OF MATERIALS				
UNLESS OTHERWISE SPECIFIED DIMENSIONS ARE IN INCHES AND APPLY BEFORE FINISH SURFACE ROUGHNESS .125/ TOLERANCE ON FRACTIONS DECIMALS ANGLES ± 1/64 ±.XX=.02 ± 1/2 ±.XXX=.005		DRAWN TAM	DATE 09/26/06	 VARTECH SYSTEMS OUTLINE DRAWING VT201W / VT201WHB
		CHECKED		
		DRAFTING		
		ENGINEER		
MATERIAL		MANUF		
VT201W		APPROVED		
VT201WHB		QA		
FINISH				
USED ON				
APPLICATION				
		SIZE D	DWG NO. 601-0233	REV 1
		SCALE1 : 2.25	SHEET 1 OF 1	