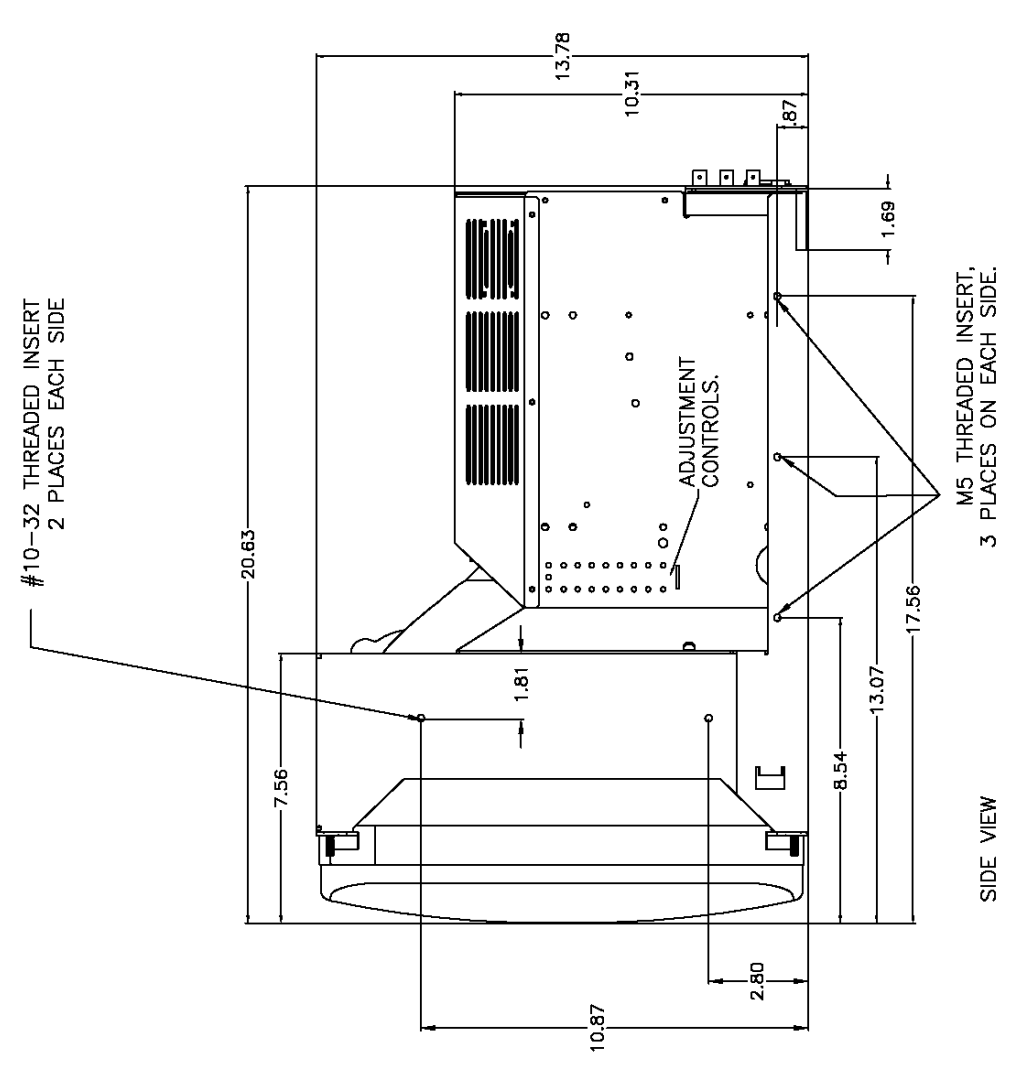
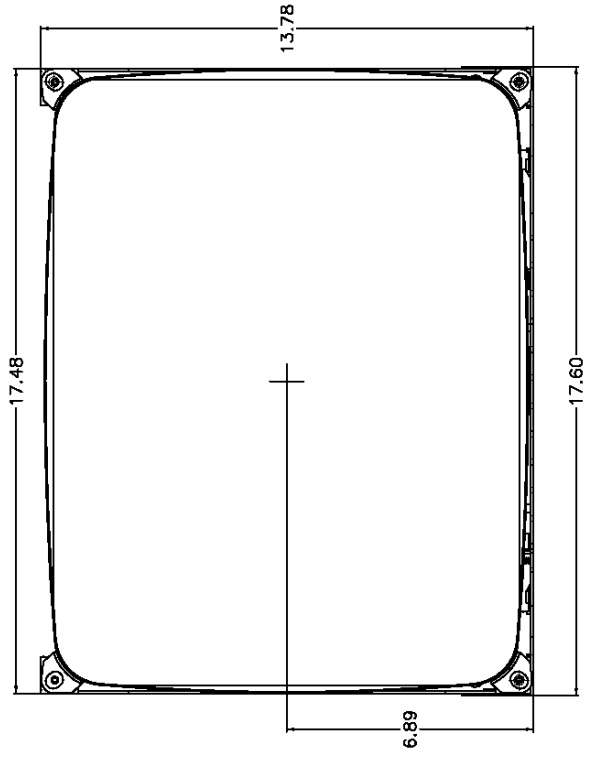
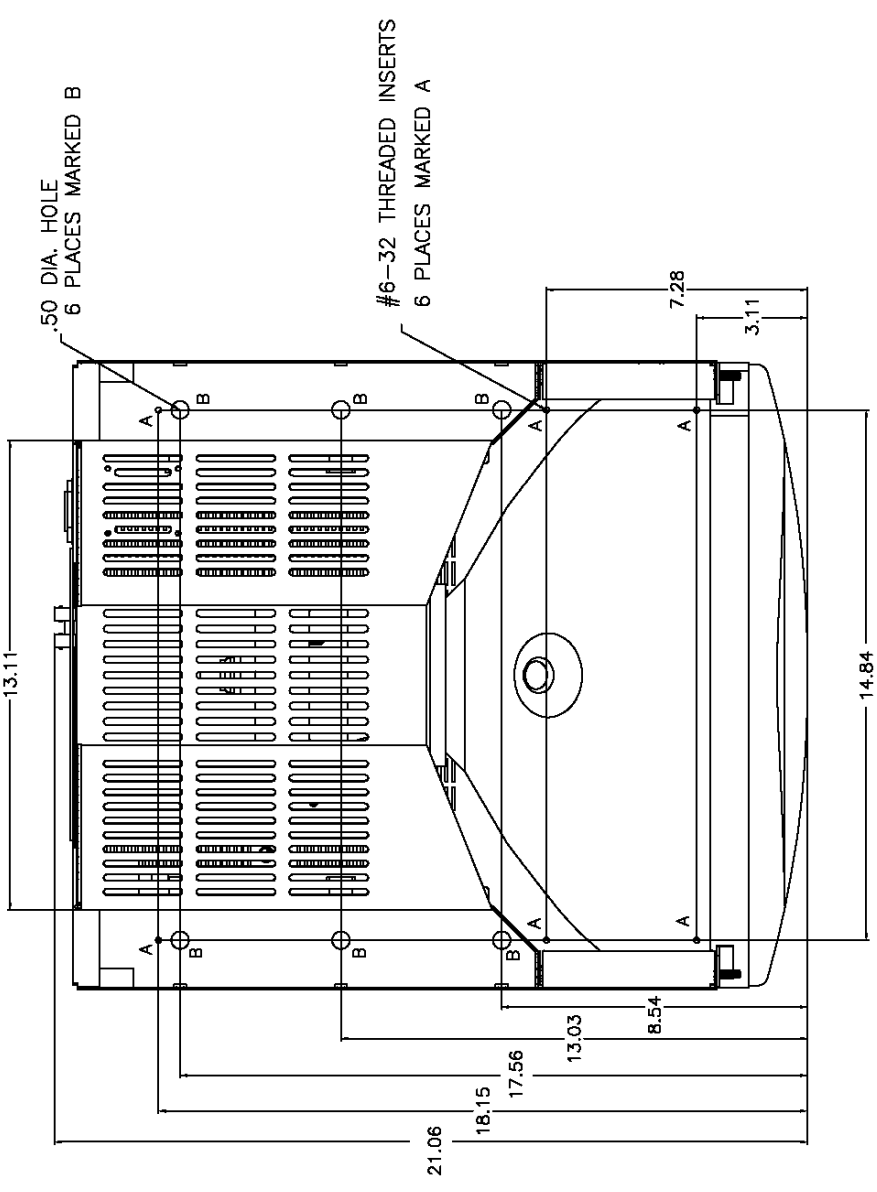


CHANGE HISTORY		INCORPORATED INITIAL	DATE	APPROVAL INITIAL	DATE
1	PRELIMINARY RELEASE			KR	10/01



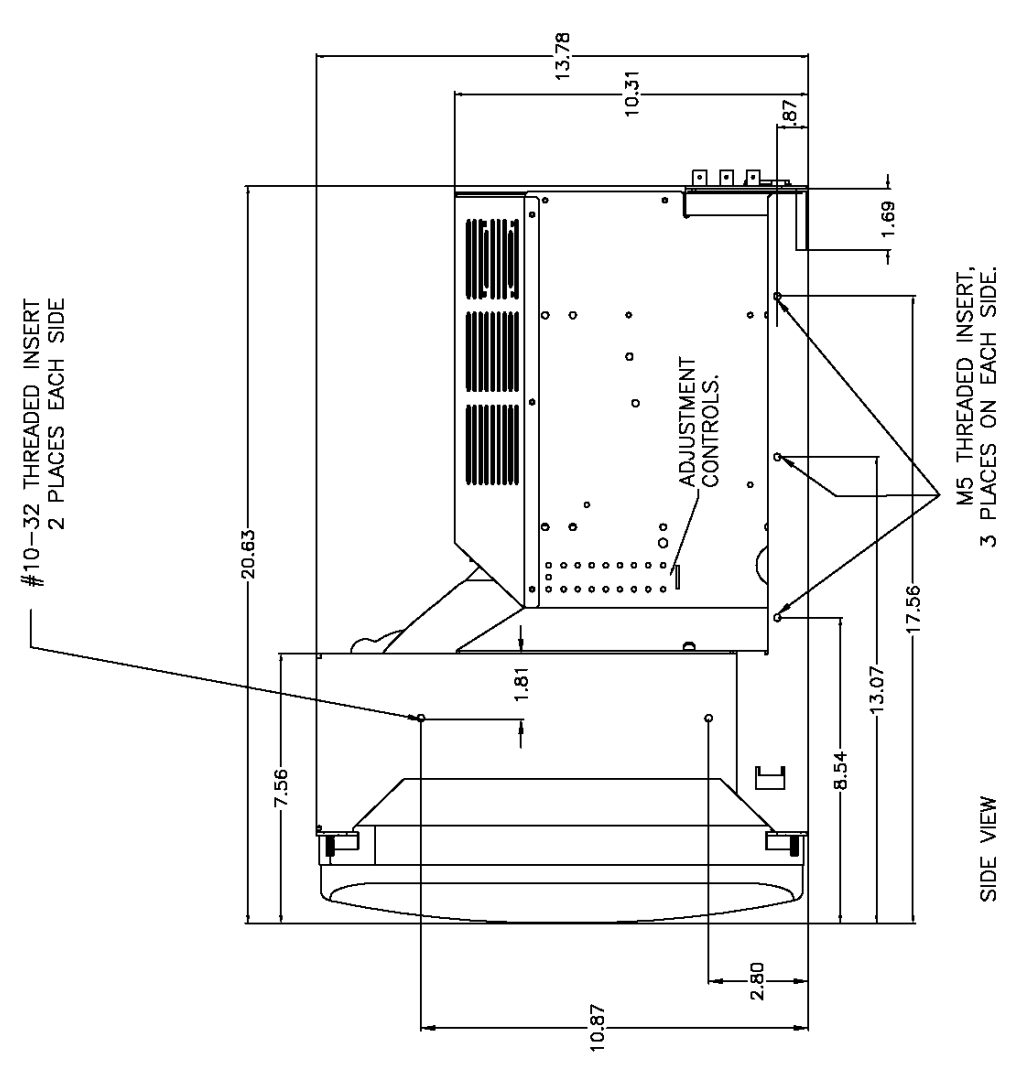
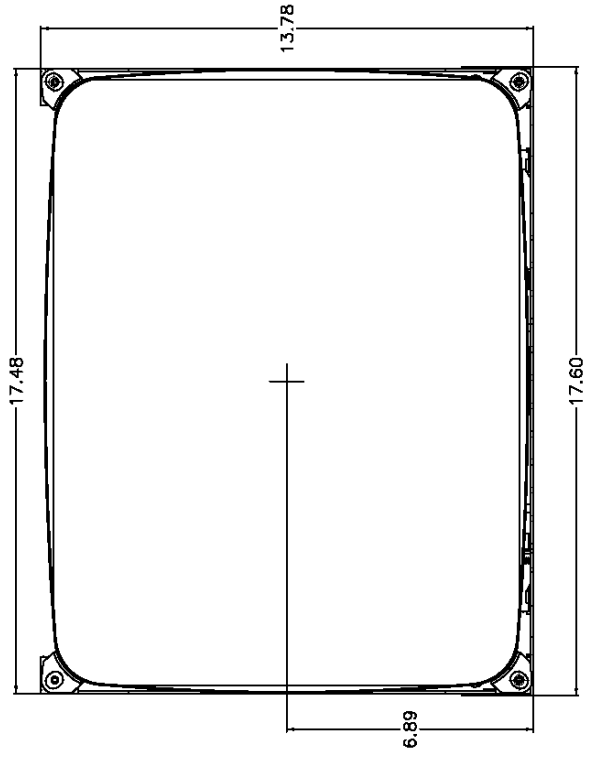
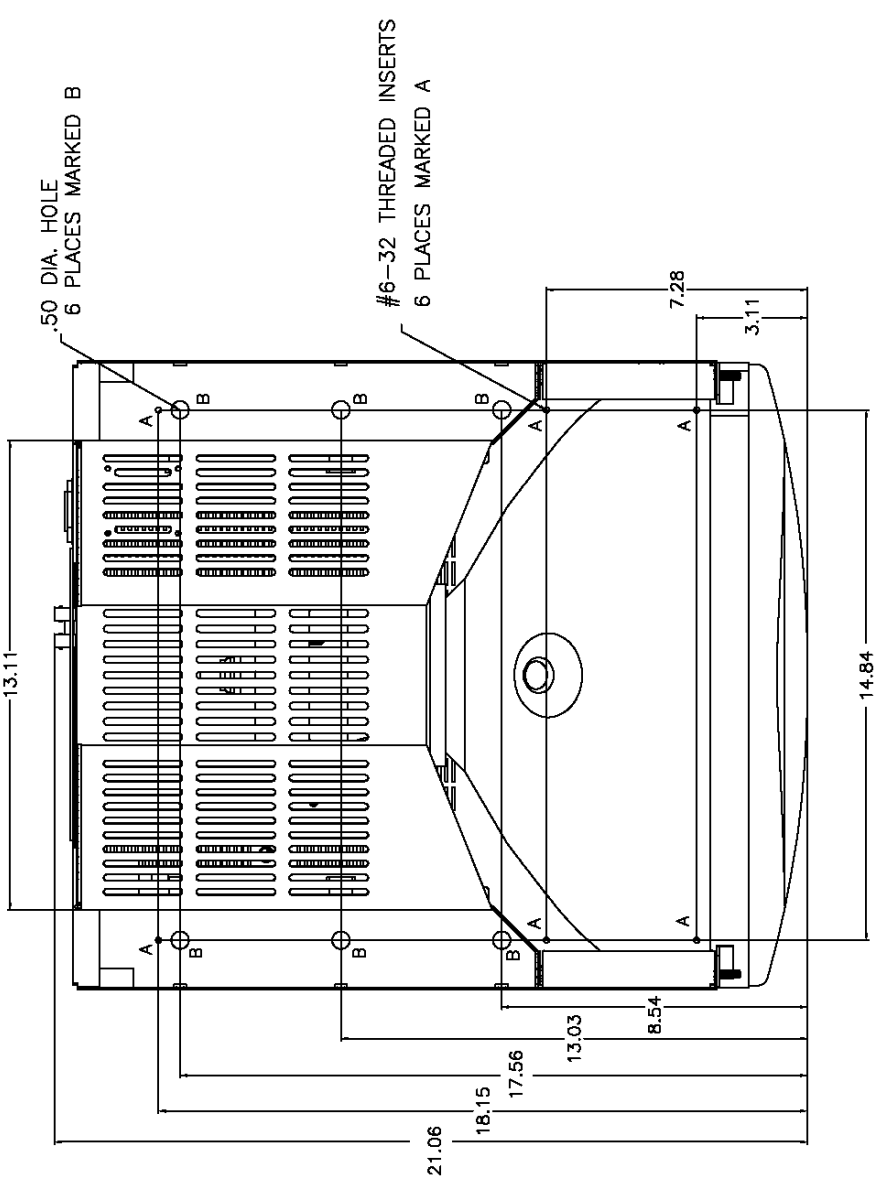
1. ALL DIMENSIONS ARE NOMINAL AND FOR REFERENCE ONLY. THIS DRAWING SHOULD NOT BE USED FOR DESIGN PURPOSES.

2. WEIGHT: APPROX 55 LBS AS SHOWN

DRAWN		JHD	VarTech Systems Inc.	
CHECKED			OUTLINE DRAWING	
PROJECT MANAGER			20" Console Mount CRT	
QUALITY ASSURANCE			SIZE	D
MATERIAL			SCALE	
MODEL(S) USED ON		VT20A-C	REV	2
FINISH			SHEET 1 OF 2	

VT20A-C

CHANGE HISTORY		INCORPORATED INITIAL	DATE	APPROVAL INITIAL	DATE
1	PRELIMINARY RELEASE			KR	10/01



1. ALL DIMENSIONS ARE NOMINAL AND FOR REFERENCE ONLY. THIS DRAWING SHOULD NOT BE USED FOR DESIGN PURPOSES.

2. WEIGHT: APPROX 55 LBS AS SHOWN

DRAWN		JHD	VarTech Systems Inc.	
CHECKED			OUTLINE DRAWING	
PROJECT MANAGER			20" Console Mount CRT	
QUALITY ASSURANCE			SIZE	D
MATERIAL			SCALE	
FINISH			MODEL(S) USED ON	VT20A-C
			REV	2
			600-2022	
				SHEET 1 OF 2

VT20A-C