

8

7

6

5

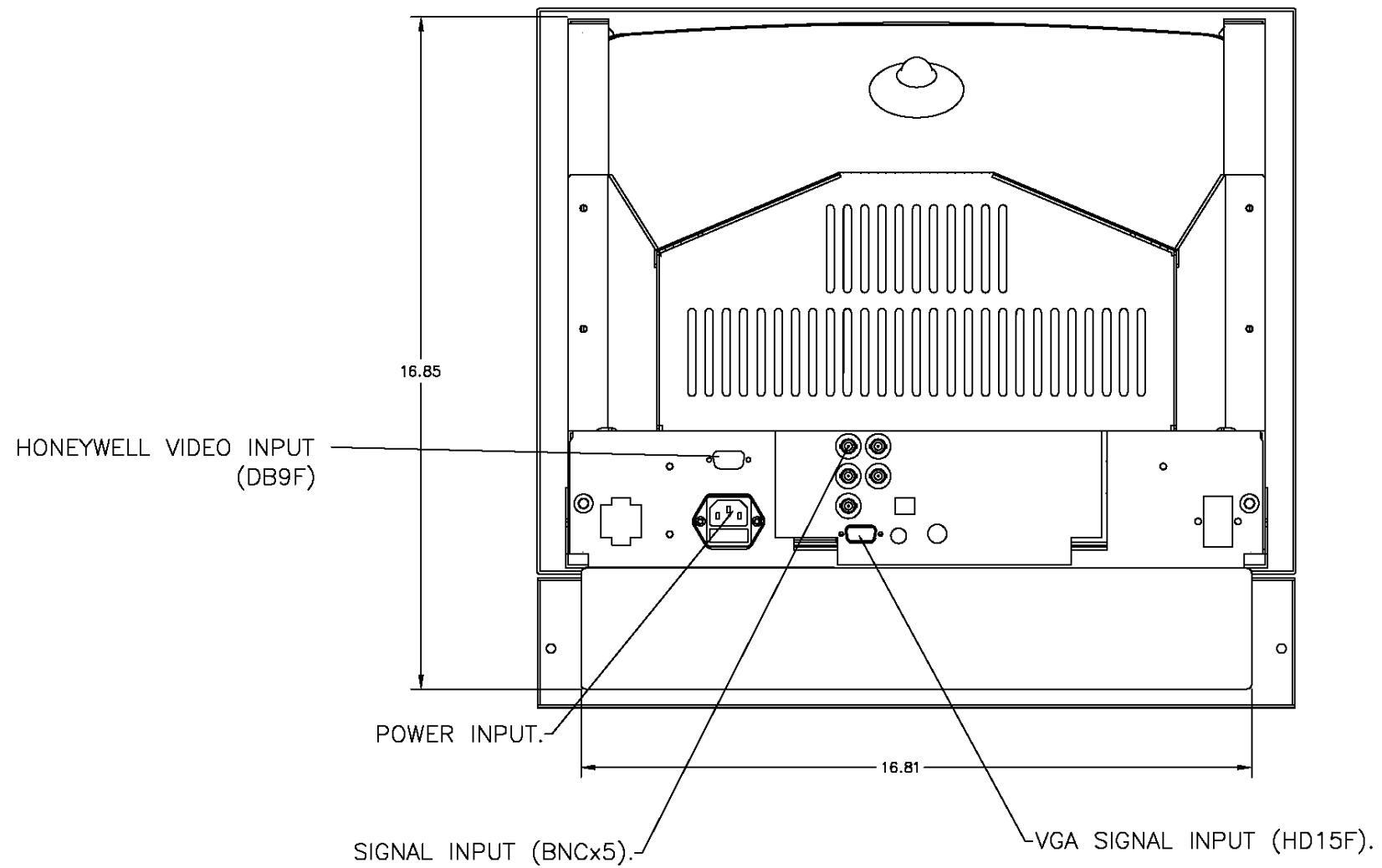
4

3

2

1

| FILE INDEX | DESCRIPTION | INCORPORATED INITIAL | DATE | APPROVAL INITIAL | DATE |
|------------|-------------|----------------------|------|------------------|------|
|------------|-------------|----------------------|------|------------------|------|



REAR VIEW

WAS MODEL VT2121RH

|                                                                                                                                                                                                                                          |                                                                                             |                                     |                          |
|------------------------------------------------------------------------------------------------------------------------------------------------------------------------------------------------------------------------------------------|---------------------------------------------------------------------------------------------|-------------------------------------|--------------------------|
| <small>UNLESS OTHERWISE SPECIFIED<br/>DIMENSIONS ARE IN INCHES<br/>AND APPLY BEFORE FINISH<br/>SURFACE ROUGHNESS 125/<br/>TOLERANCE ON<br/>FRACTIONS   DECIMALS   ANGLES<br/>± 1/32   ± .005   ± 1/2<br/>± 1/64   ± .001   ± 1/4</small> | <small>DRAWN</small> KAH 2/01/02                                                            | VarTech Systems Inc.                |                          |
|                                                                                                                                                                                                                                          | <small>CHECKED</small>                                                                      | OUTLINE DRAWING                     |                          |
|                                                                                                                                                                                                                                          | <small>PROJECT<br/>MANAGER<br/>MANUFACTURING<br/>ENGINEER<br/>QUALITY<br/>ASSURANCE</small> | Model VT20A-RH                      |                          |
|                                                                                                                                                                                                                                          | <small>MATERIAL</small><br>VT20A-RH                                                         | <small>MODEL(S)<br/>USED ON</small> | <small>SIZE</small><br>D |
| <small>FINISH</small>                                                                                                                                                                                                                    | <small>SCALE</small>                                                                        | 600-2031                            | SHEET 2 of 2             |