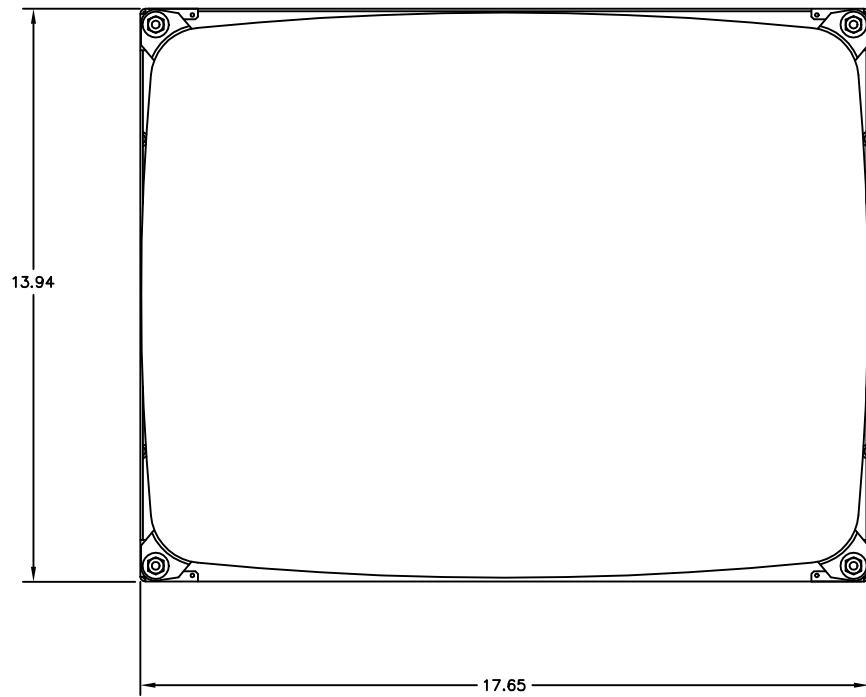
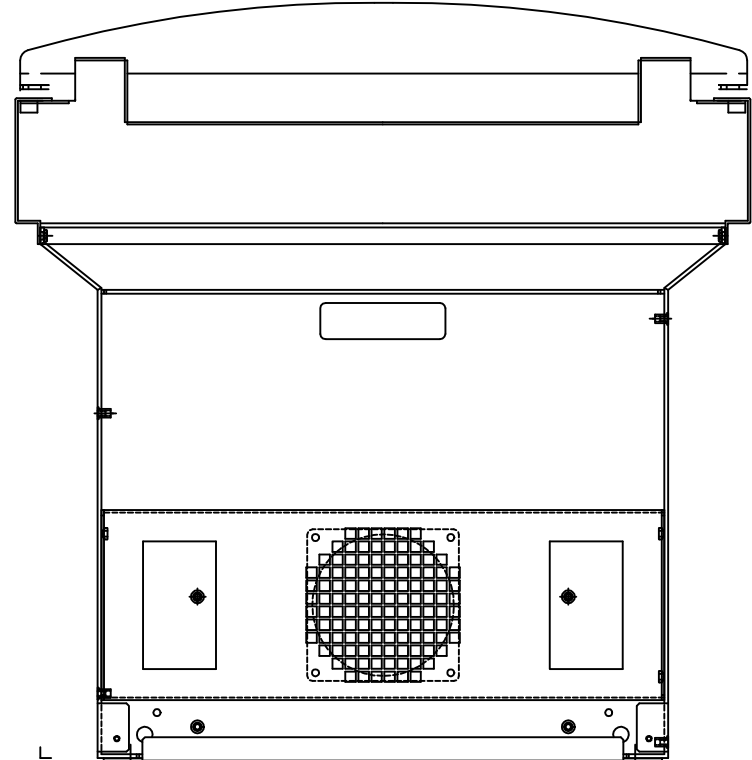


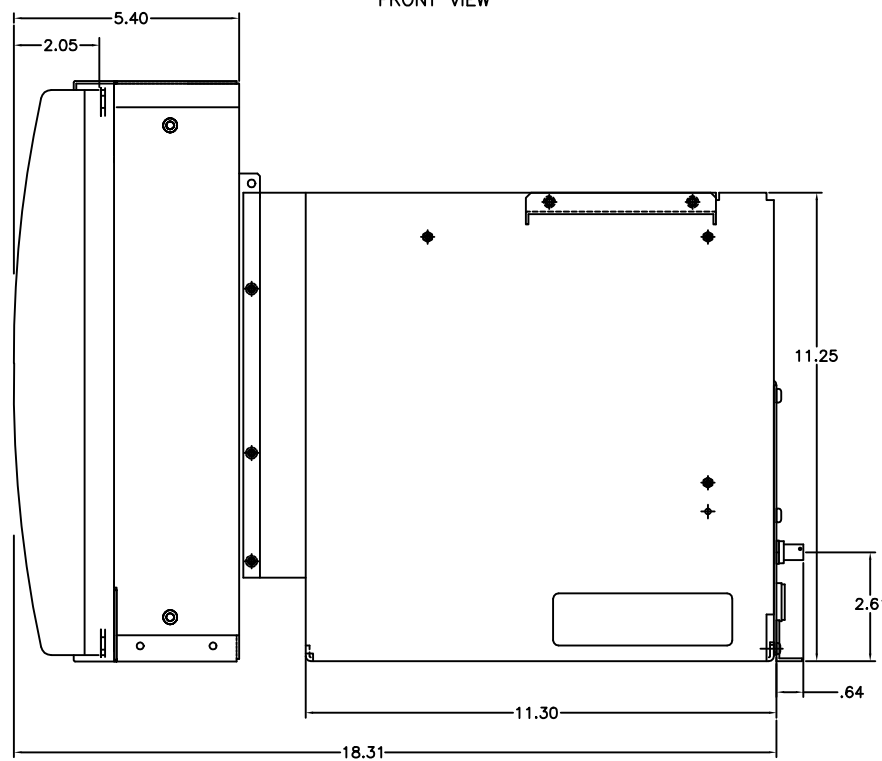
CHANGE HISTORY		
FILE INDEX	DESCRIPTION	APPROVAL INITIAL DATE
1	PRELIMINARY RELEASE	



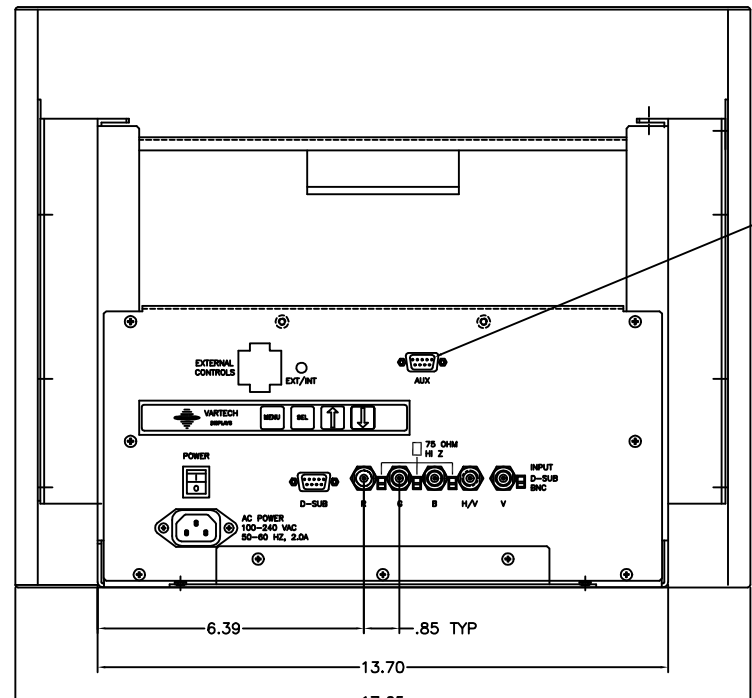
FRONT VIEW



REAR VIEW



SIDE VIEW



REMOTE CONTROLS CABLE CONNECTION

- NOTES:
1. ALL DIMENSIONS ARE NOMINAL AND FOR REFERENCE ONLY. THIS DRAWING SHOULD NOT BE USED FOR DESIGN PURPOSES.
 2. UNIT WEIGHT: APPROX. 54 LBS (CONFIGURED AS SHOWN)

QTY	ITEM	MFR. PT.NO.	DESCRIPTION	SYM/NOTE
LIST OF MATERIALS				
DDI	UNLESS OTHERWISE SPECIFIED DIMENSIONS ARE IN INCHES AND APPLY BEFORE FINISH SURFACE ROUGHNESS .125/ TOLERANCE ON FRACTIONS DECIMALS ANGLES ± 1/64 ± .XX=.02 ± 1/2 ± .XXX=.005	DRAWN RKH	DATE 29MAY02	VARTECH DISPLAYS INC
		CHECKED		OUTLINE DRAWING VT20B-CB
		DRAFTING		
		ENGINEER		
		MANUF		
		APPROVED		
		QA		
VT20B-CB	FINISH		SIZE D	DWG NO. 600-2048
USED ON			SCALE 1 : 2	REV 1
APPLICATION				SHEET 1 OF 1