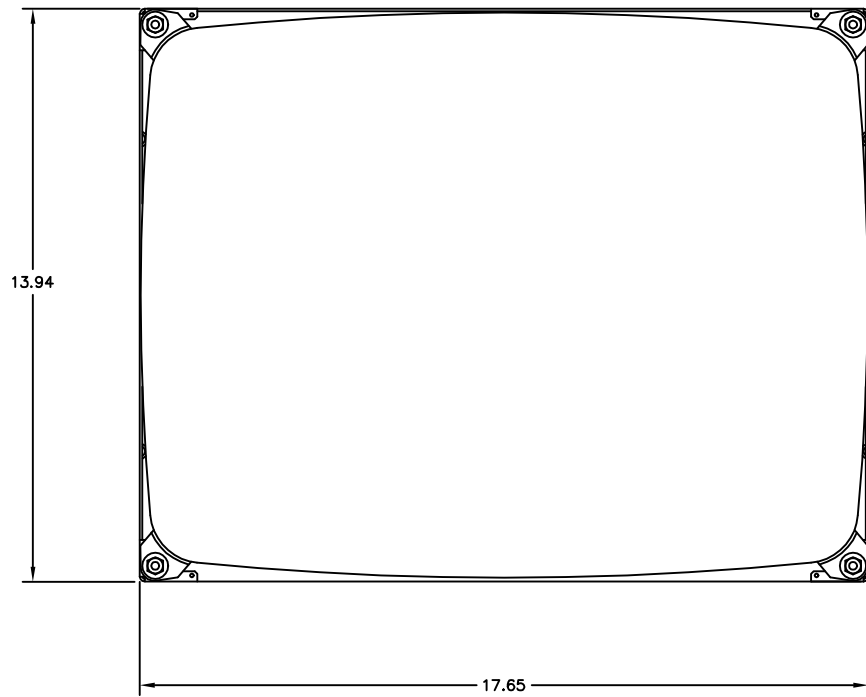
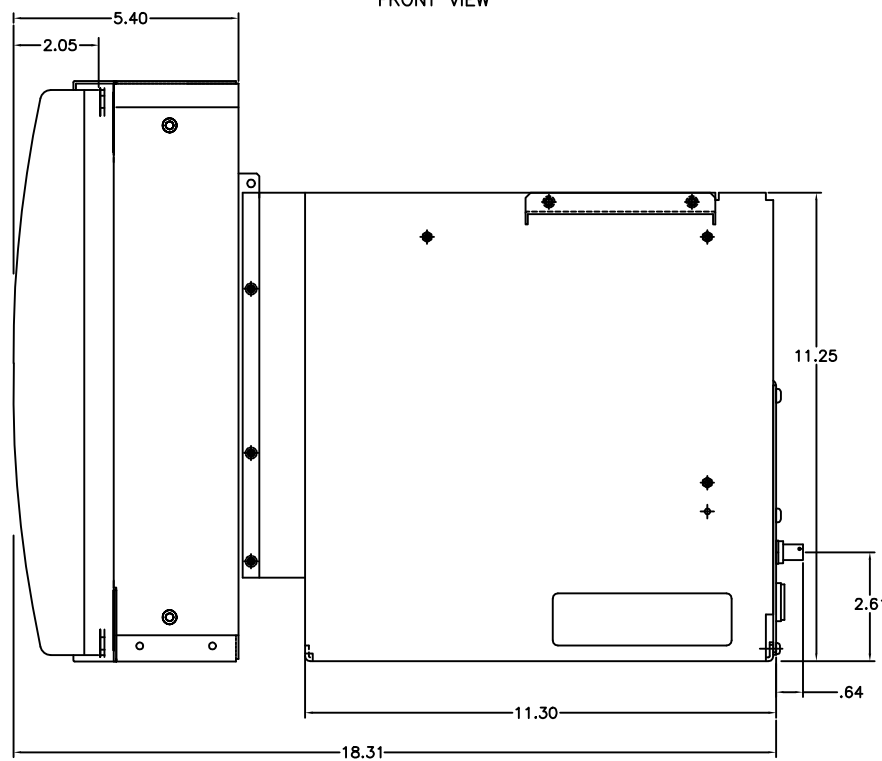
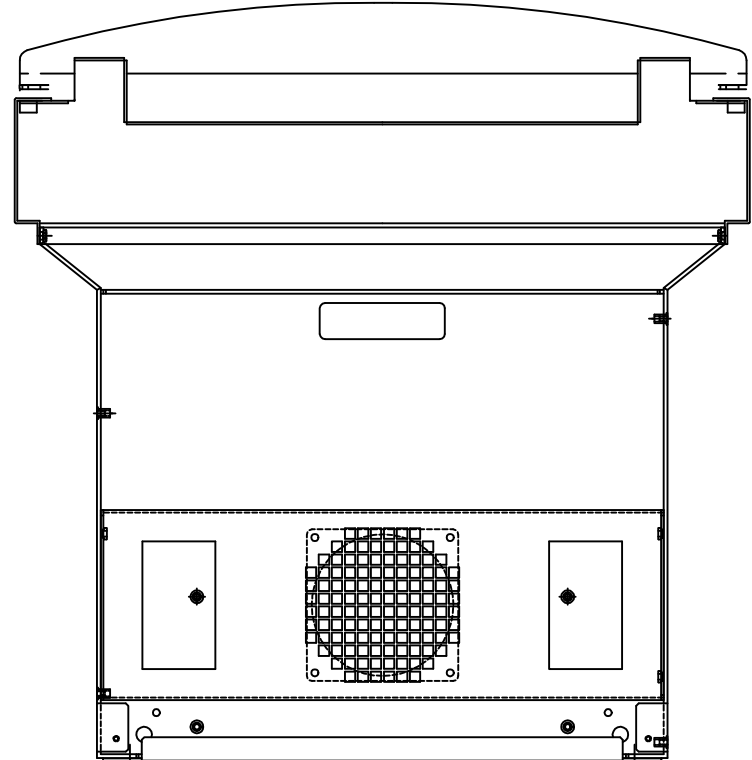


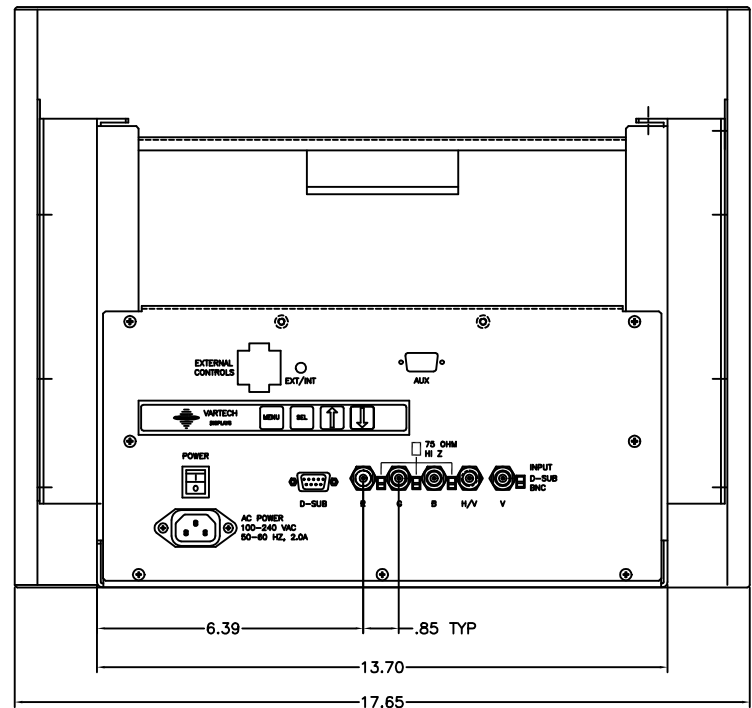
CHANGE HISTORY		
FILE INDEX	DESCRIPTION	APPROVAL INITIAL DATE
1	PRELIMINARY RELEASE	



FRONT VIEW



SIDE VIEW



REAR VIEW

- NOTES:
1. ALL DIMENSIONS ARE NOMINAL AND FOR REFERENCE ONLY. THIS DRAWING SHOULD NOT BE USED FOR DESIGN PURPOSES.
 2. UNIT WEIGHT: APPROX. 54 LBS (CONFIGURED AS SHOWN)

QTY	ITEM	MFR. PT.NO.	DESCRIPTION	SYM/NOTE
LIST OF MATERIALS				
DDI	UNLESS OTHERWISE SPECIFIED DIMENSIONS ARE IN INCHES AND APPLY BEFORE FINISH		DRAWN RKH	DATE 12JUN02
	SURFACE ROUGHNESS .125/ TOLERANCE ON		CHECKED	VARTECH DISPLAYS INC
	FRACTIONS	DECIMALS	DRAFTING	
	± 1/64	± .XX=.02	ENGINEER	
	ANGLES	MANUF	APPROVED	SIZE D
	± 1/2	FINISH	QA	DWG NO. 600-2051
VT20B-CI	USED ON			REV 1
APPLICATION				SCALE 1 : 2