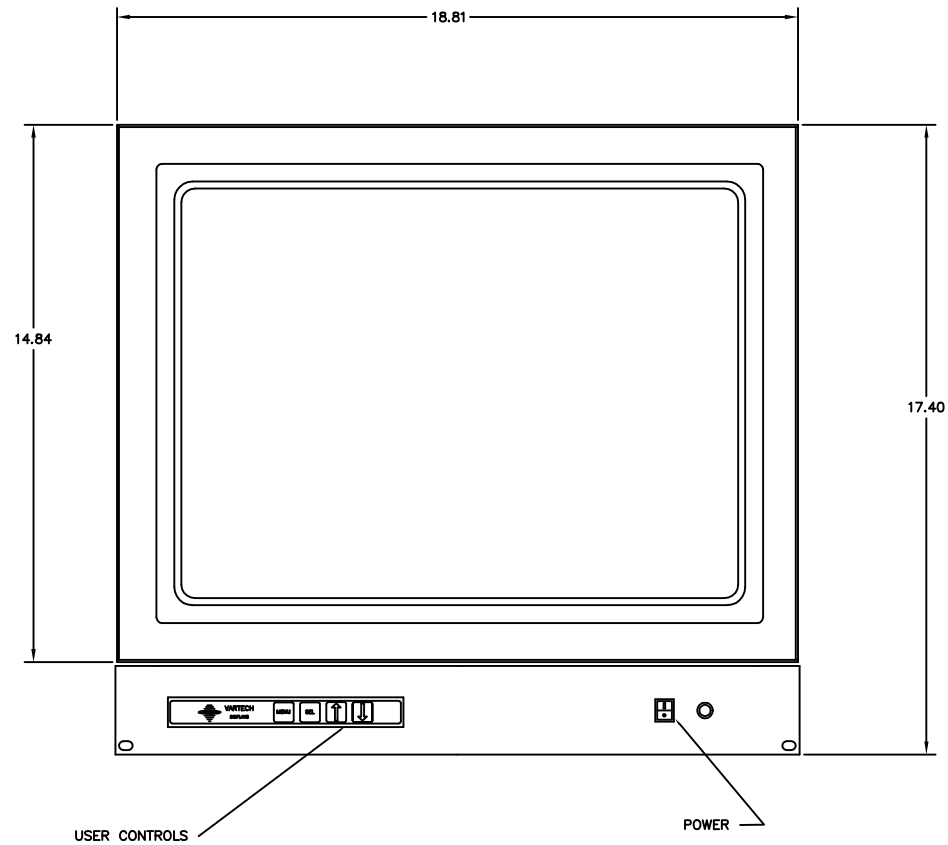
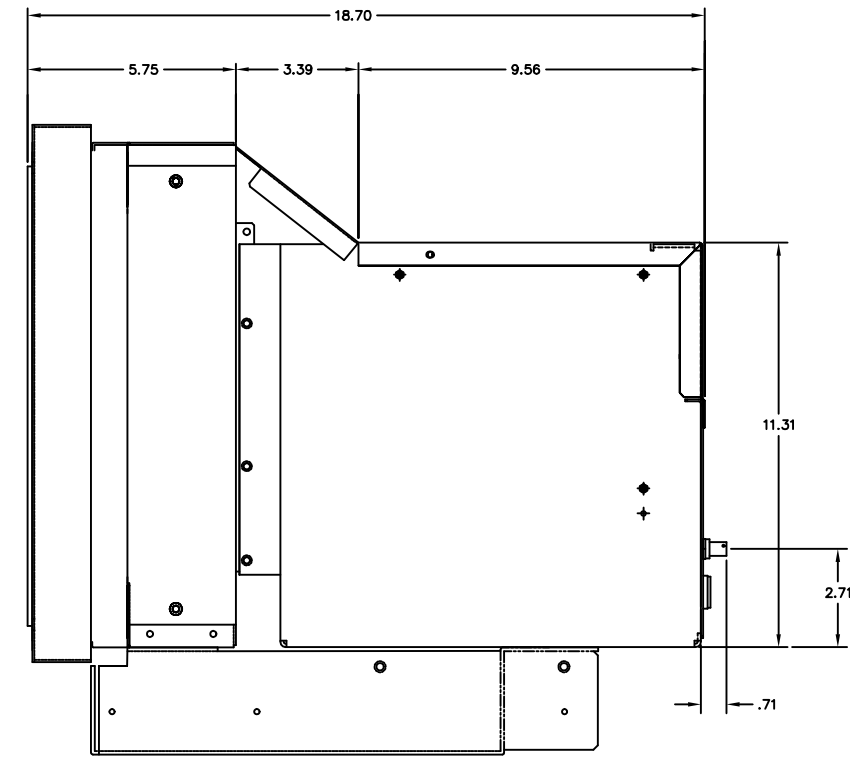


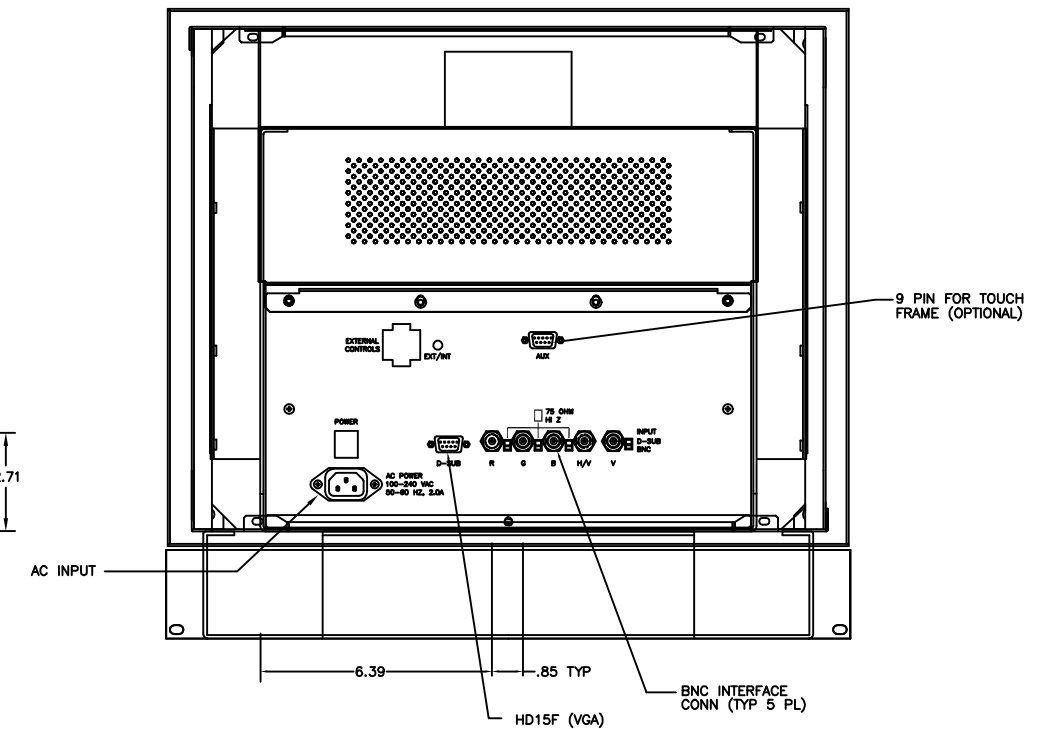
CHANGE HISTORY		
FILE INDEX	DESCRIPTION	APPROVAL INITIAL DATE
1	PRELIMINARY RELEASE	



FRONT VIEW



RIGHT SIDE VIEW



REAR VIEW

- NOTES:
1. ALL DIMENSIONS ARE NOMINAL AND FOR REFERENCE ONLY. THIS DRAWING SHOULD NOT BE USED FOR DESIGN PURPOSES.
  2. UNIT WEIGHT: APPROX. 59 LBS (CONFIGURED AS SHOWN)

QTY	ITEM	MFR. PT.NO.	DESCRIPTION	SYM/NOTE
LIST OF MATERIALS				
DDI	UNLESS OTHERWISE SPECIFIED DIMENSIONS ARE IN INCHES AND APPLY BEFORE FINISH SURFACE ROUGHNESS .125/ TOLERANCE ON FRACTIONS DECIMALS ANGLES	DRAWN RKH	DATE 12JUN02	VARTECH DISPLAYS INC
	$\pm \frac{1}{64}$ $\pm .XX = .02$ $\pm .XXX = .005$ $\pm \frac{1}{2}$	CHECKED		OUTLINE DRAWING
		DRAFTING		VT20B-PW
		ENGINEER		
		MANUF		
		APPROVED		
		QA		
VT20B-PW	FINISH		SIZE D	DWG NO. 600-2052
USED ON			SCALE 1 : 2.15	REV 1
APPLICATION				SHEET 1 OF 1