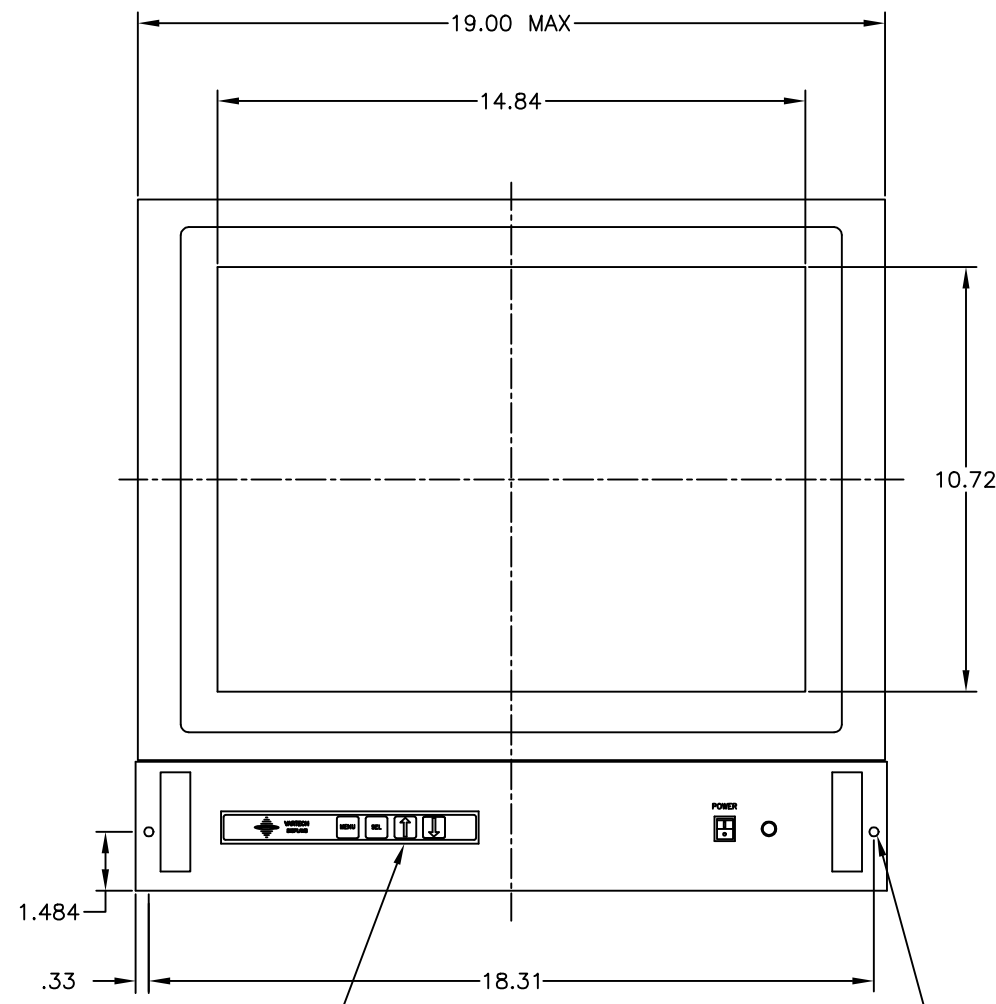
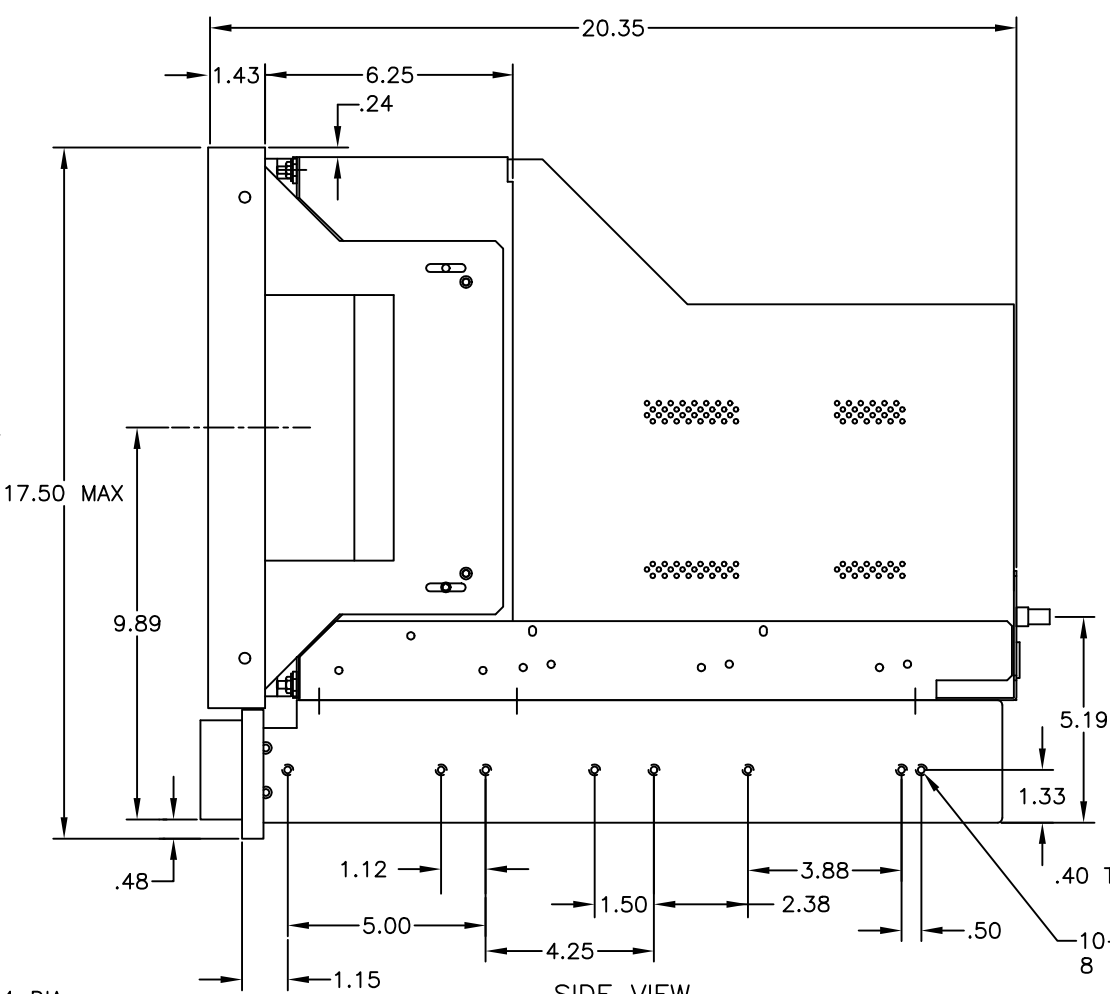


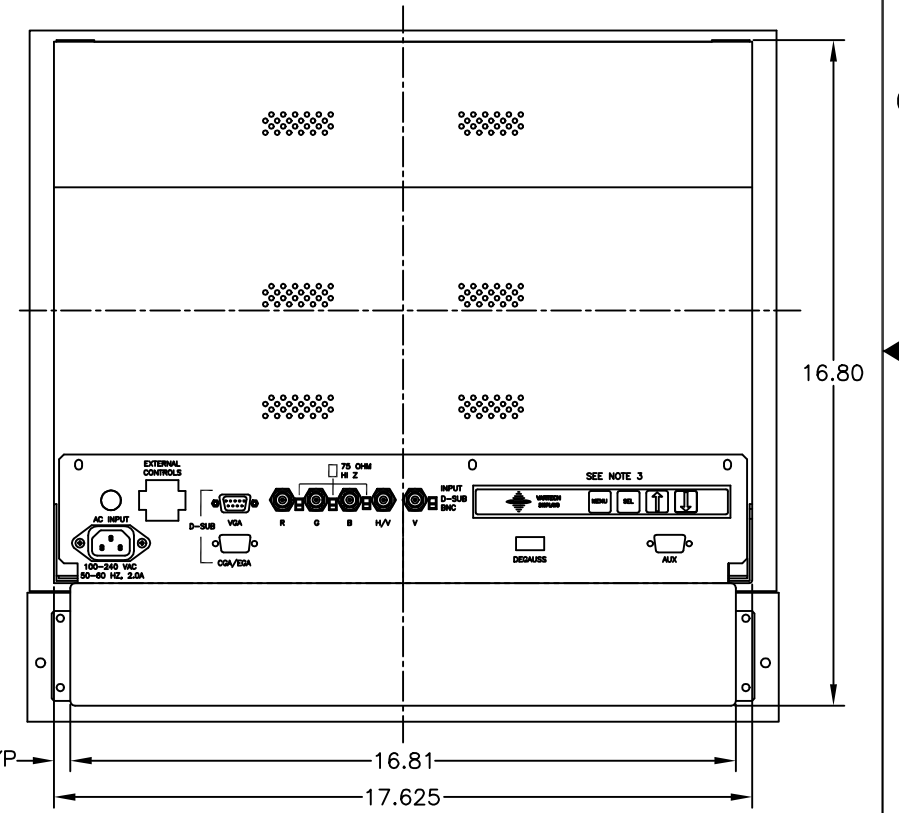
CHANGE HISTORY		
FILE INDEX	DESCRIPTION	APPROVAL INITIAL DATE
1	PRELIMINARY RELEASE	



FRONT VIEW



SIDE VIEW



REAR VIEW

- NOTES:
- 1- ALL DIMENSIONS ARE NOMINAL AND FOR REFERENCE ONLY. THIS DRAWING SHOULD NOT BE USED FOR DESIGN PURPOSES.
 - 2- UNIT WEIGHT: APPROX. 67 LBS (CONFIGURED AS SHOWN)
 - 3- REAR CONTROLS NOT ACTIVE ON VT20B-R

QTY	ITEM	MFR. PT.NO.	DESCRIPTION	SYM/NOTE
LIST OF MATERIALS				
UNLESS OTHERWISE SPECIFIED DIMENSIONS ARE IN INCHES AND APPLY BEFORE FINISH SURFACE ROUGHNESS .125/ TOLERANCE ON		DRAWN RKH	DATE 19JUN02	VARTECH DISPLAYS INC
		CHECKED		
		DRAFTING		
DD1	FRACTIONS ± 1/64	DECIMALS ± .XX= .02 ± .XXX= .005	ANGLES ± 1/2	ENGINEER
USED ON		ED		
APPLICATION		QA		
SIZE D	DWG NO. 600-2057	REV 1		
SCALE 1 : 1/4			SHEET 1 OF 1	