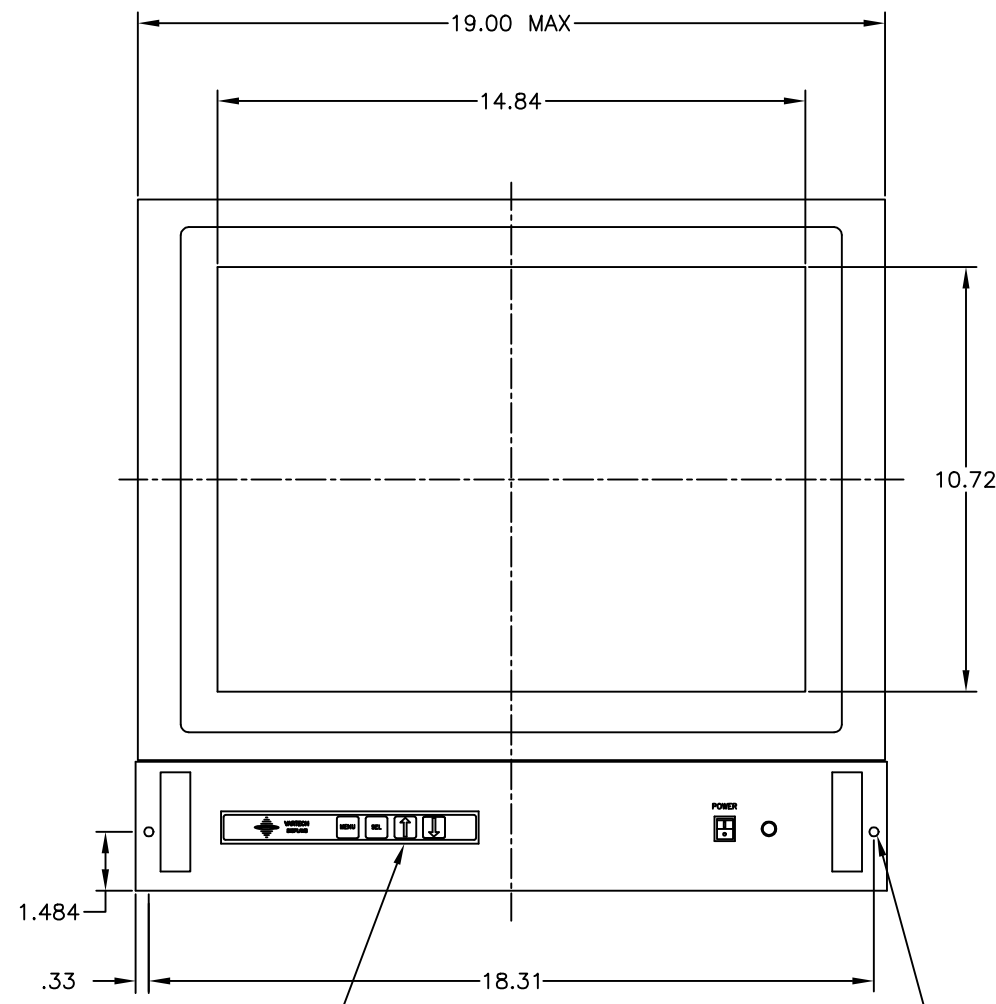
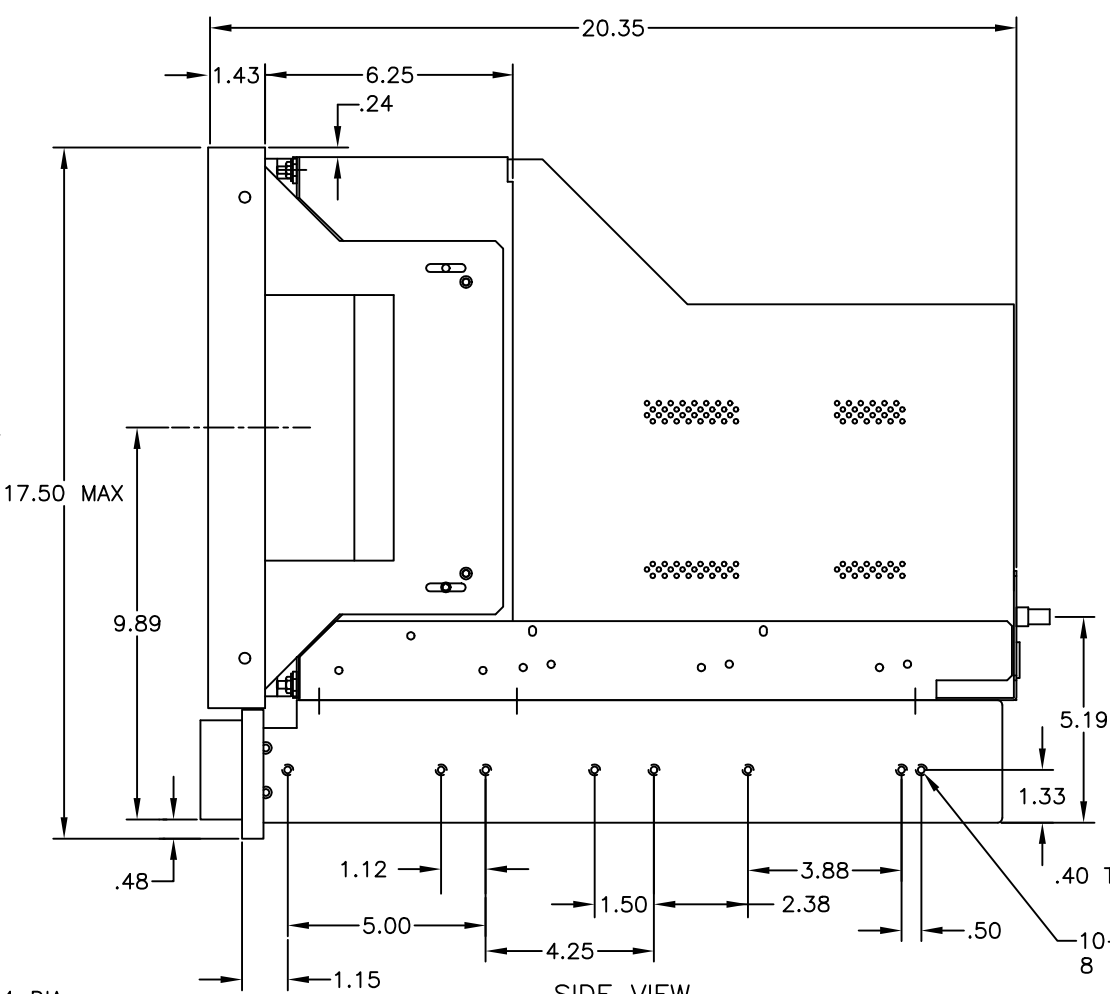


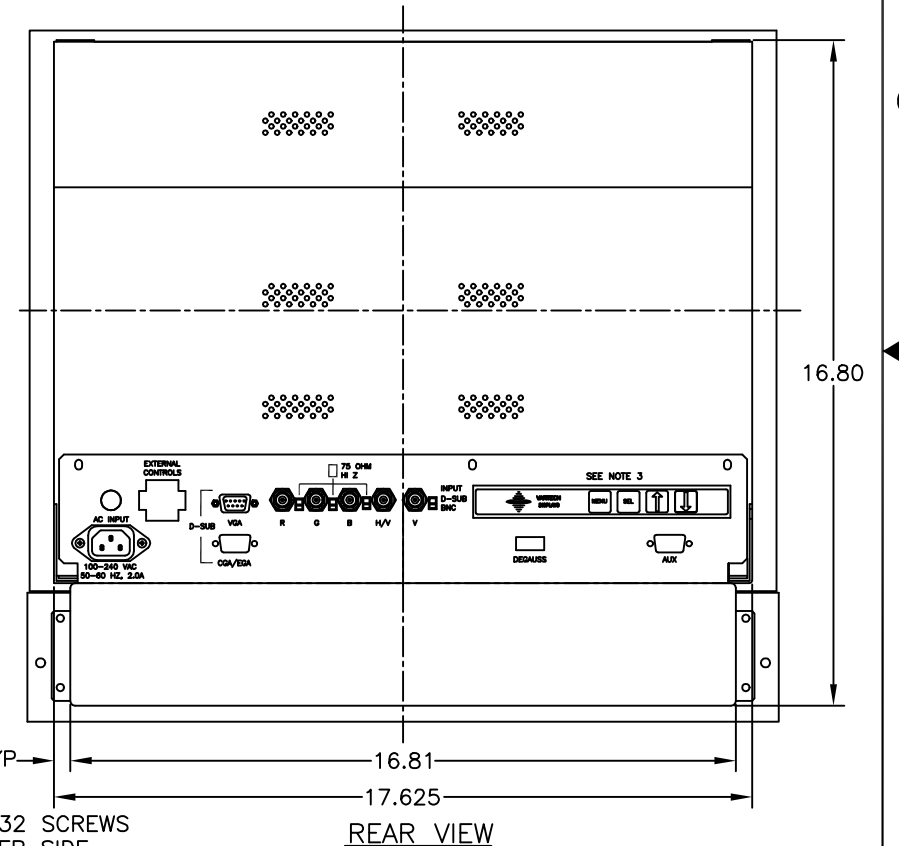
CHANGE HISTORY		
FILE INDEX	DESCRIPTION	APPROVAL INITIAL DATE
1	PRELIMINARY RELEASE	



FRONT VIEW



SIDE VIEW



REAR VIEW

- NOTES:
- 1- ALL DIMENSIONS ARE NOMINAL AND FOR REFERENCE ONLY. THIS DRAWING SHOULD NOT BE USED FOR DESIGN PURPOSES.
  - 2- UNIT WEIGHT: APPROX. 67 LBS (CONFIGURED AS SHOWN)
  - 3- REAR CONTROLS NOT ACTIVE ON VT20B-R

QTY	ITEM	MFR. PT.NO.	DESCRIPTION	SYM/NOTE
LIST OF MATERIALS				
DD1	UNLESS OTHERWISE SPECIFIED DIMENSIONS ARE IN INCHES AND APPLY BEFORE FINISH SURFACE ROUGHNESS .125/ TOLERANCE ON FRACTIONS DECIMALS ANGLES	DRAWN RKH	DATE 19JUN02	VARTECH DISPLAYS INC OUTLINE DRAWING VT20B-R
		CHECKED		
		DRAFTING		
		ENGINEER		
	MATERIAL	MANUF		
	FINISH	APPROVED		
	USED ON	QA		
	APPLICATION			
		SIZE D	DWG NO. 600-2057	REV 1
		SCALE 1 : 1/4	SHEET 1 OF 1	