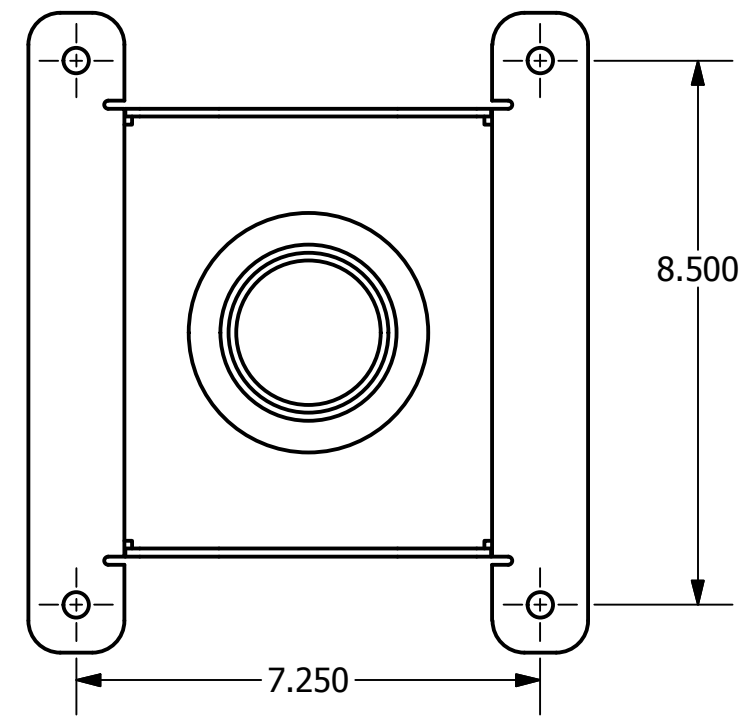
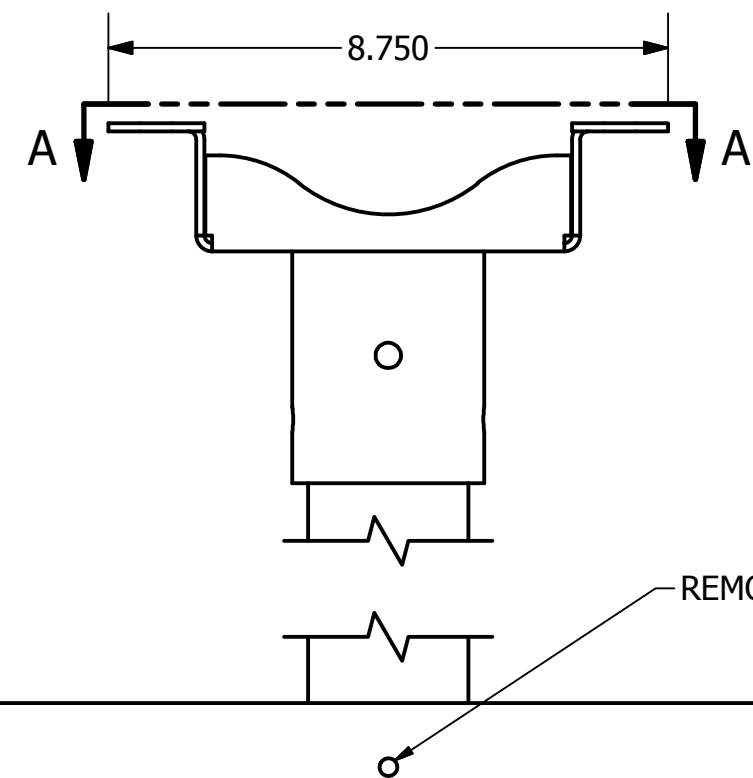


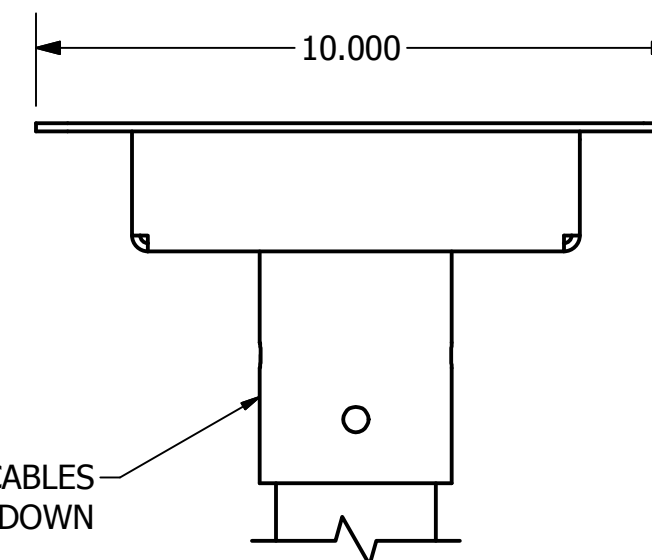
REVISION HISTORY			
REV	DESCRIPTION	APPROVED	DATE
1	INITIAL RELEASE	JAC	8/15/2011



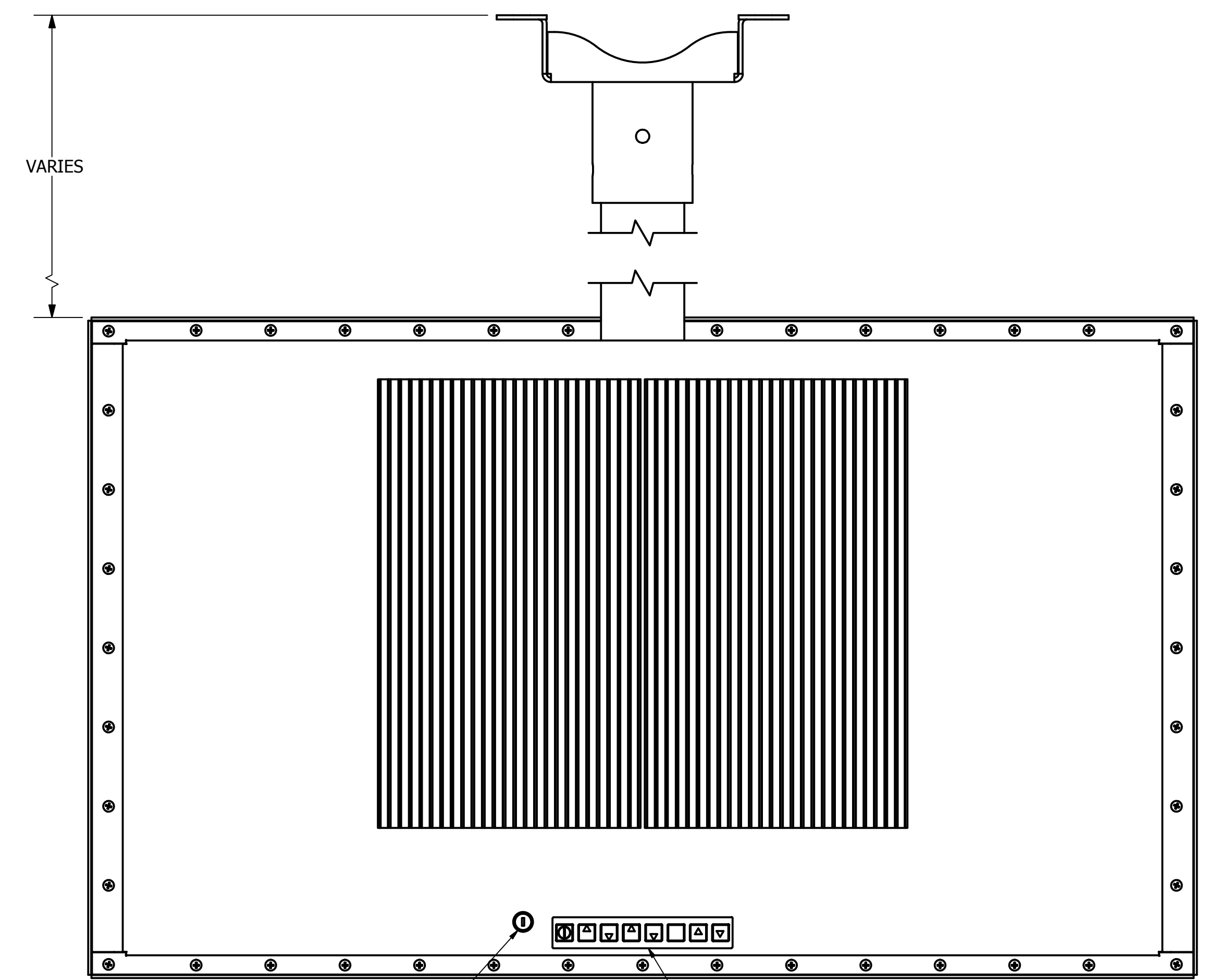
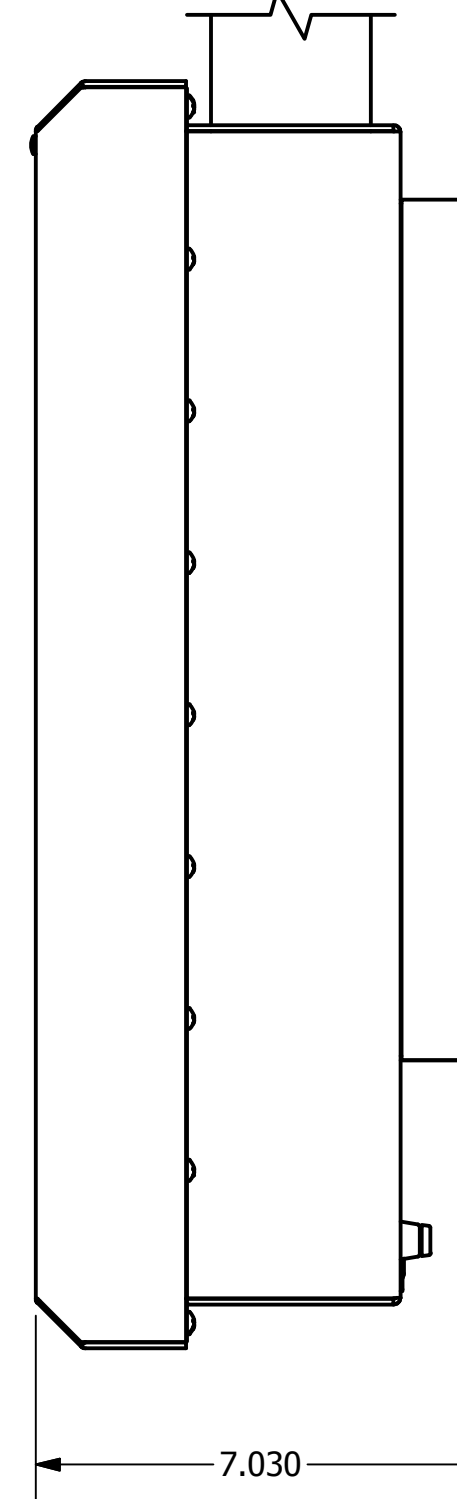
VIEW A-A
SCALE 1 / 3



REMOTE CONTROL LENS

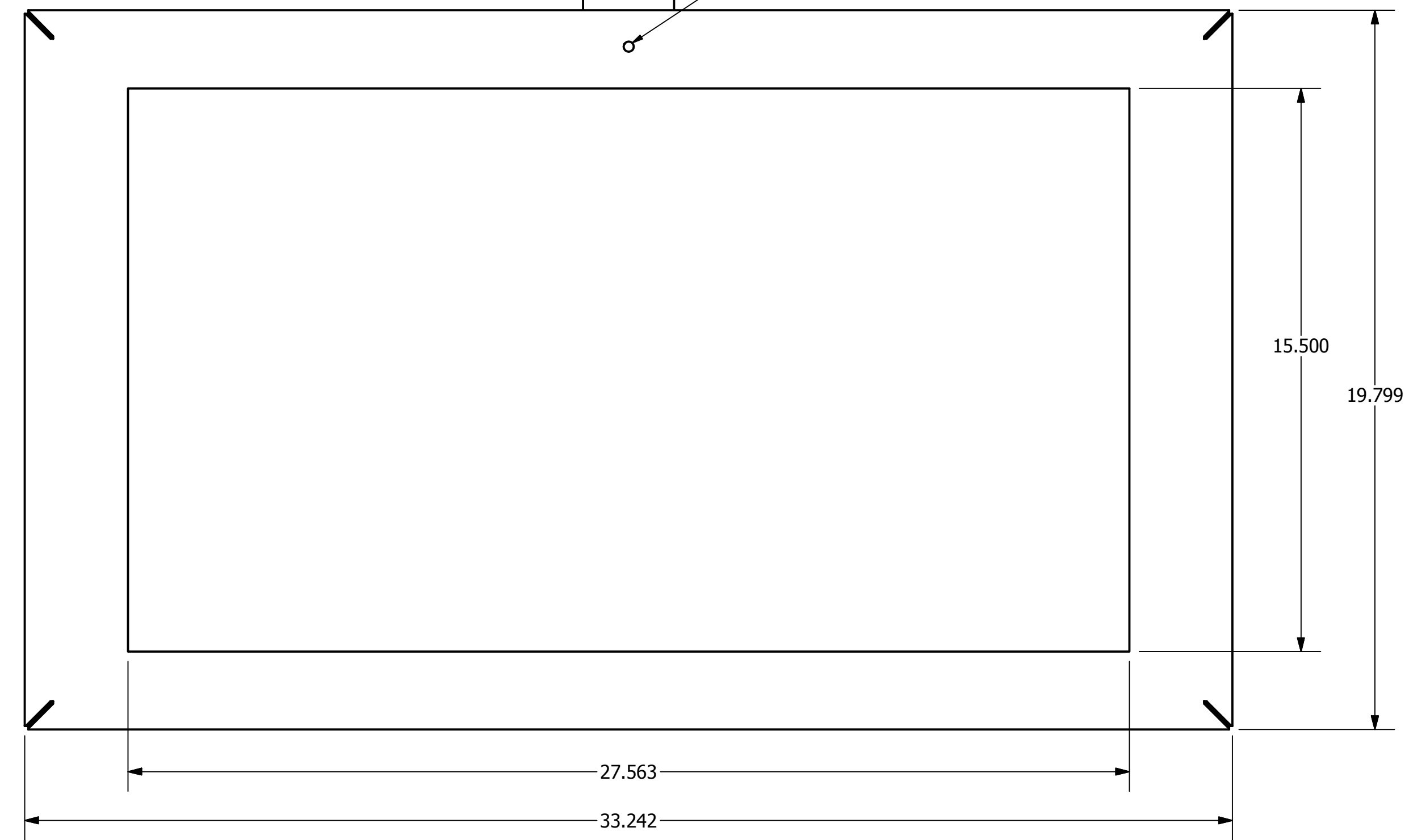


POWER AND VIDEO CABLES
PASS THRU DROP DOWN



FUSE HOLDER

MEMBRANE CONTROLS



DRAWN	ACARLTON	8/15/2011	 VARTECH SYSTEMS			
CHECKED						
QA						
MFG						
APPROVED			TITLE			
			CEILING MOUNT, VT320VHB			
USED ON	MATERIAL:		SIZE	TOLERANCES:	DWG NO	REV
APPLICATION			D	.XX = .01 .XXX = .005	482-0137-01	1
			FINISH:			SHEET 1 OF 1