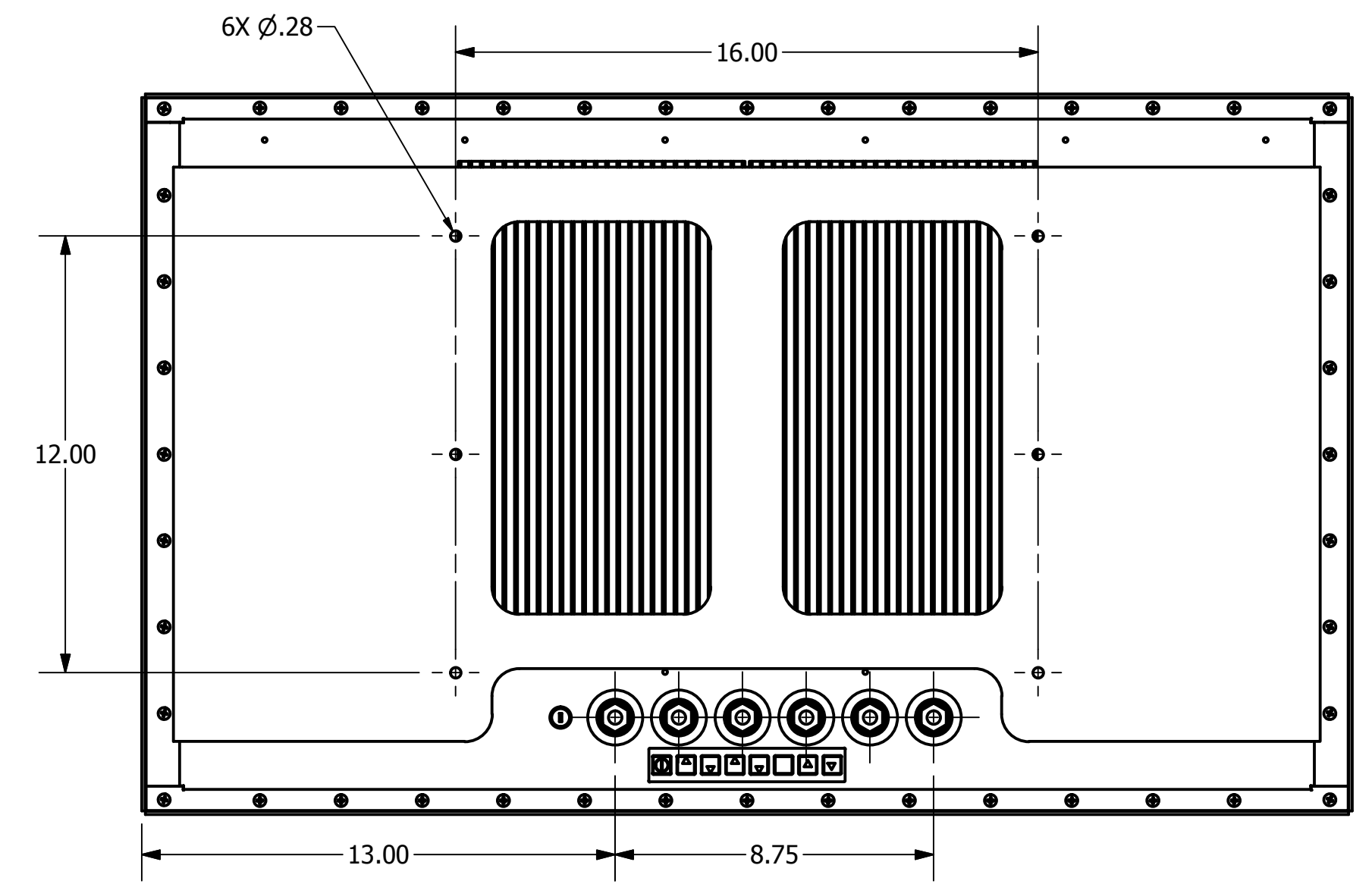
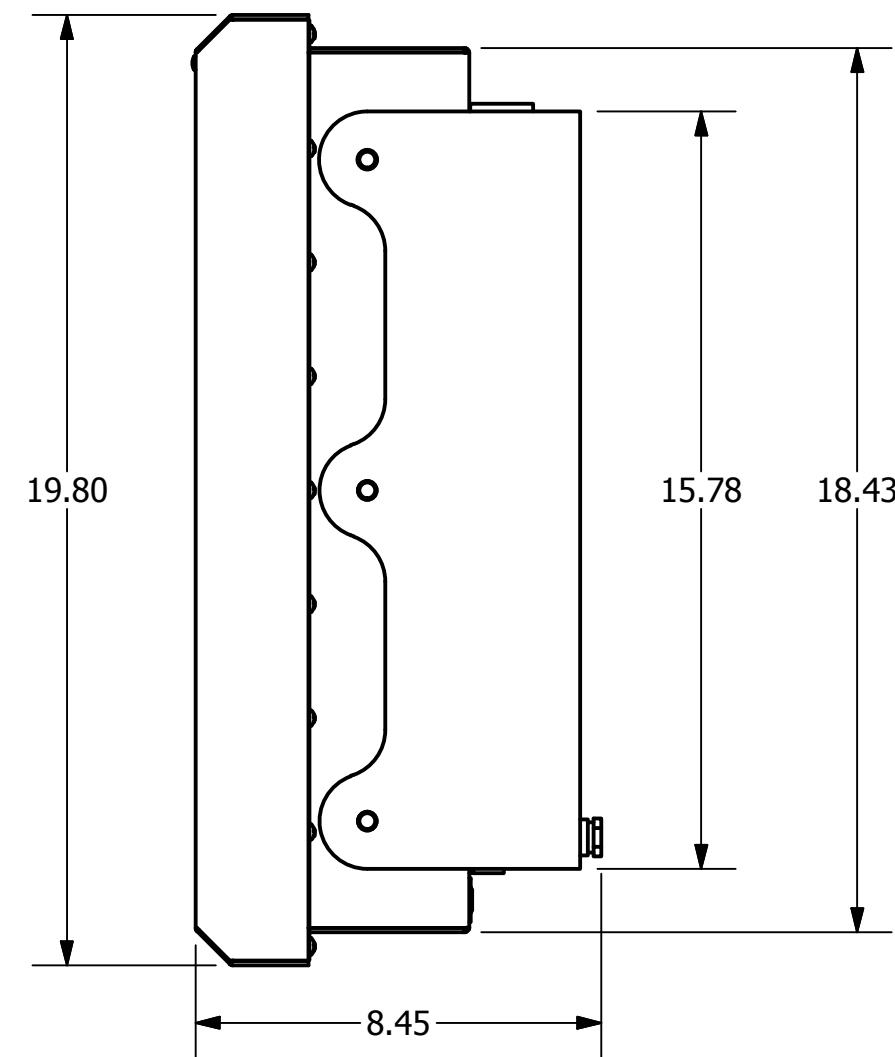
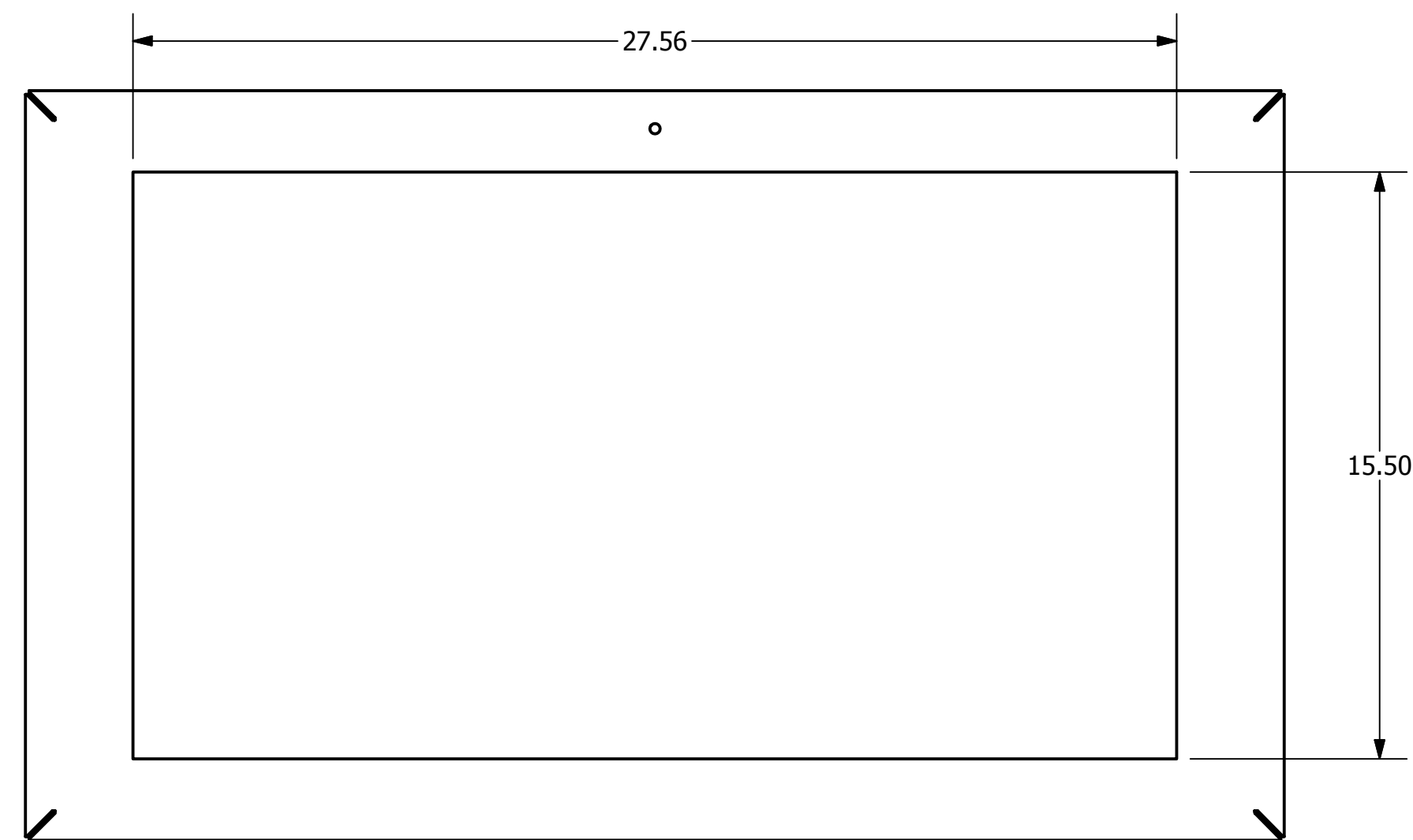
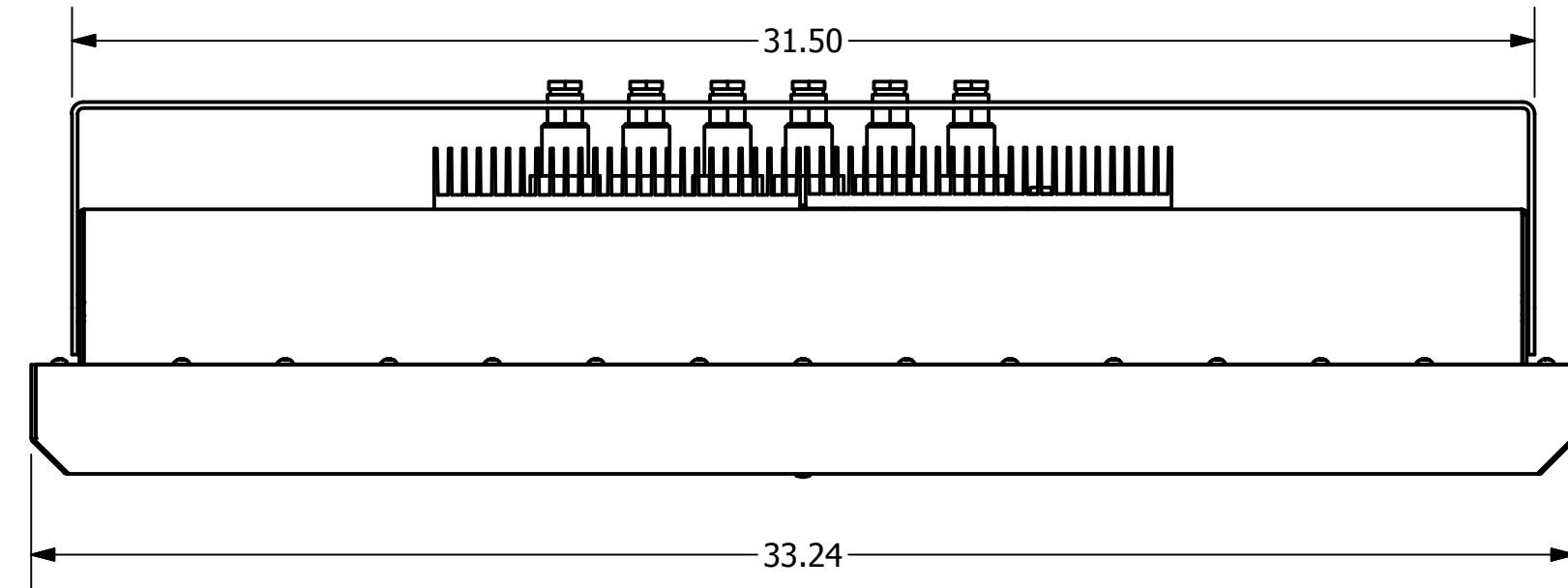



REVISION HISTORY			
REV	DESCRIPTION	APPROVED	DATE
1	INITIAL RELEASE	JAC	6/13/2012



DRAWN	ACARLTON	6/13/2012	 VARTECH SYSTEMS			
CHECKED						
QA			TITLE			
MFG			OUTLINE DRAWING, VT320HB, LANDSCAPE WALL MOUNT 0° TILT			
APPROVED			SIZE	TOLERANCES:	DWG NO	REV
USED ON	MATERIAL:		D	.XX = .01 .XXX = .005	482-0178-00-01	1
APPLICATION			FINISH:			