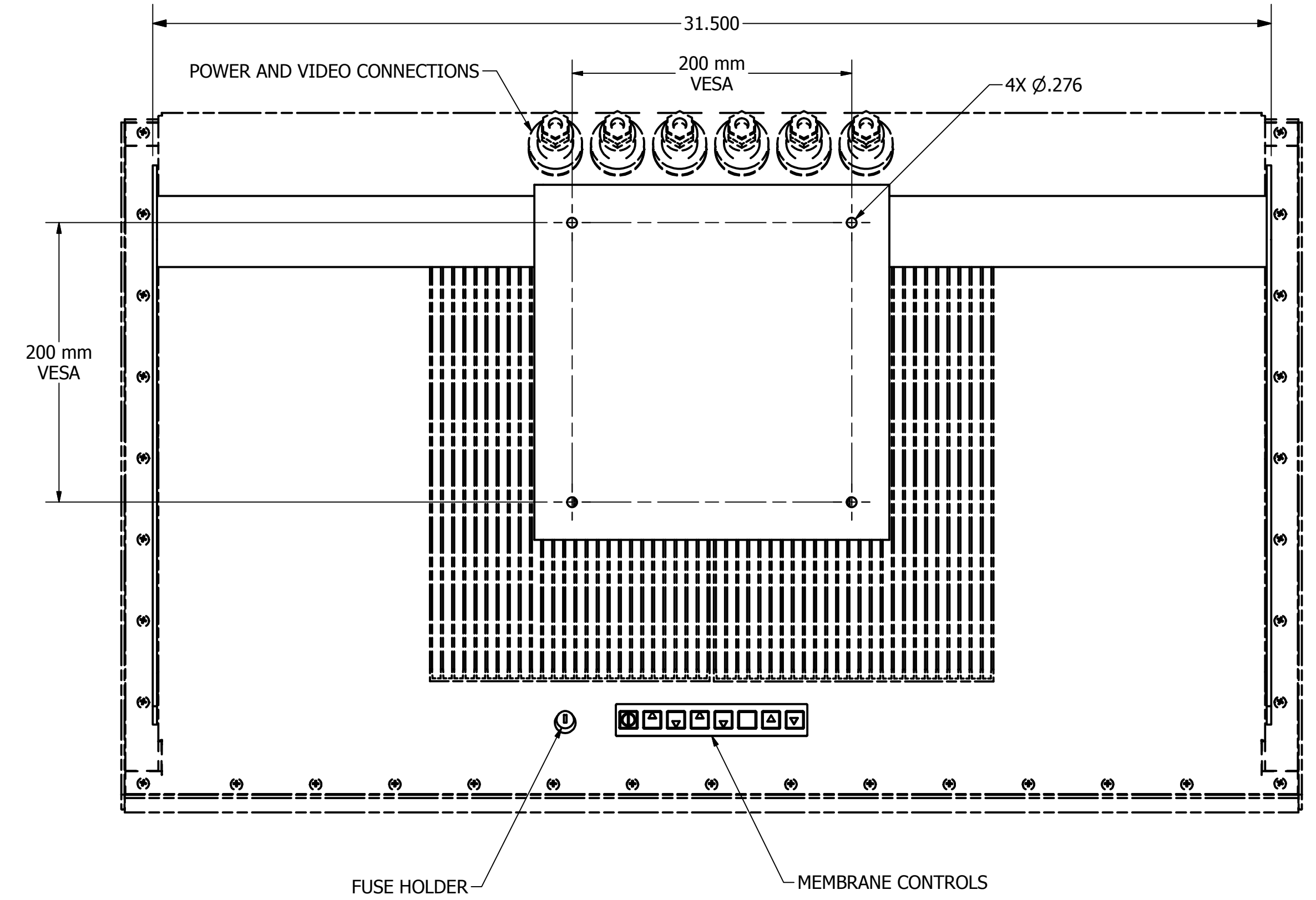
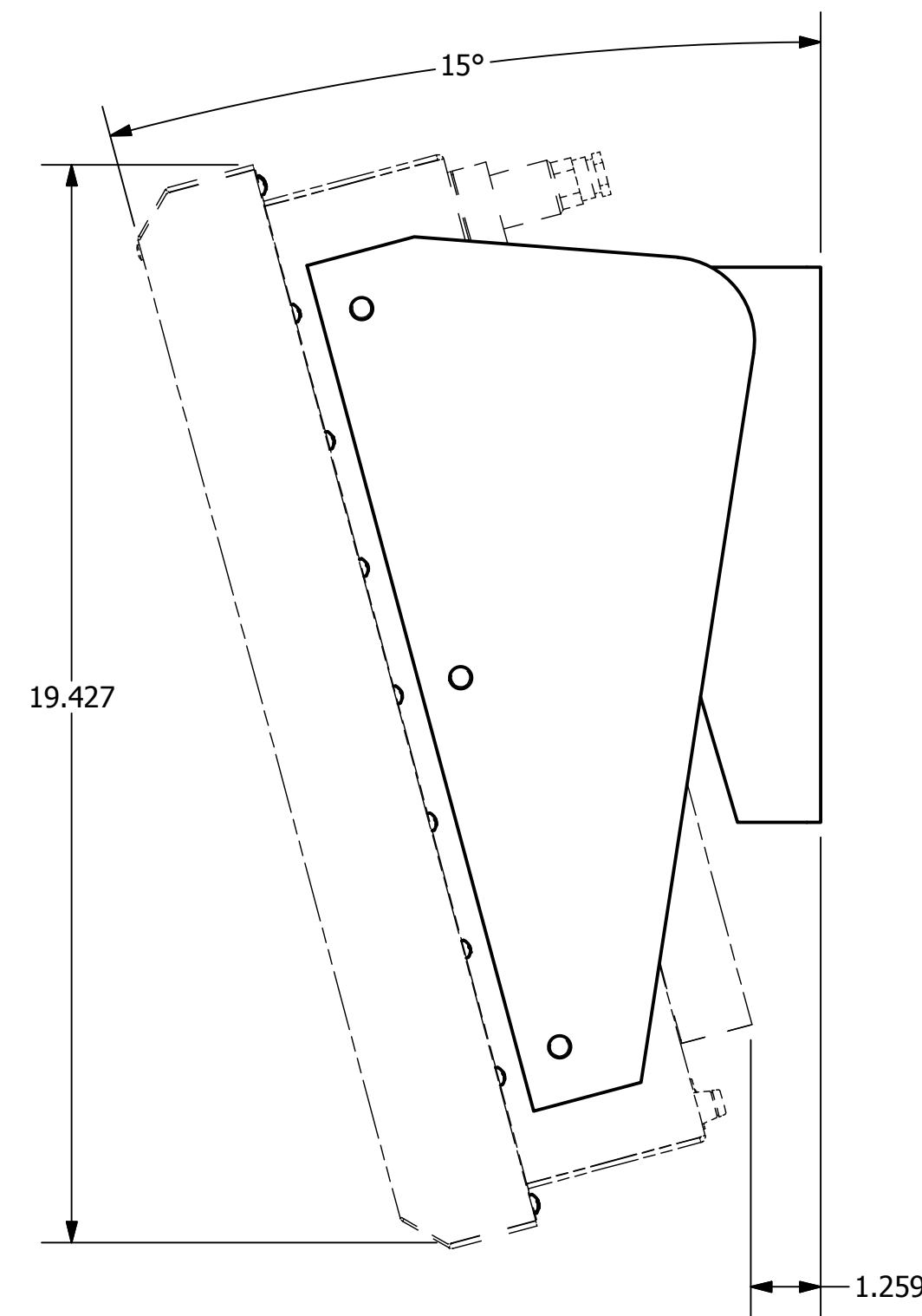
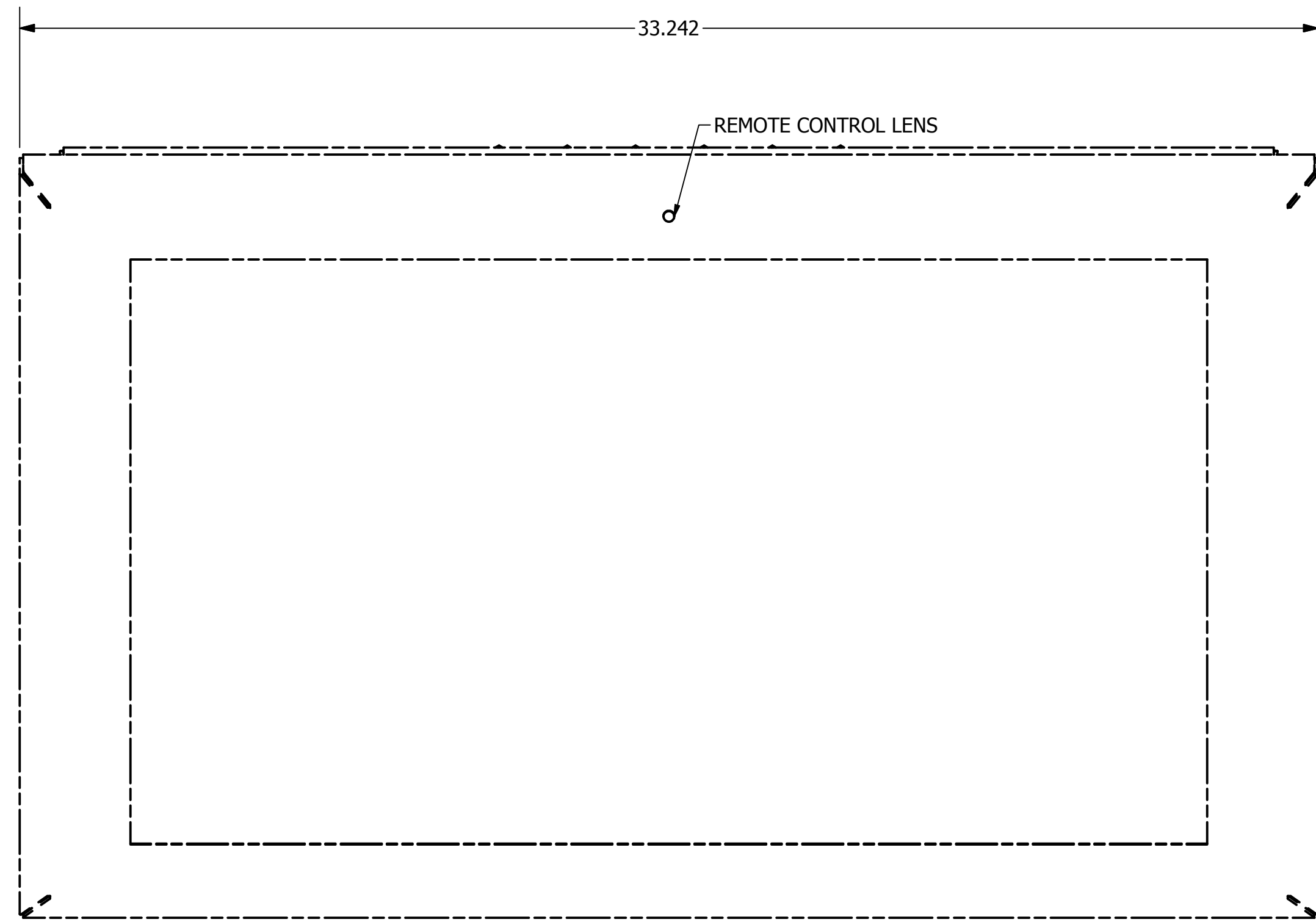



REVISION HISTORY			
REV	DESCRIPTION	APPROVED	DATE
01	INITIAL RELEASE	JAC	8/15/2011



DRAWN	ACARLTON	8/15/2011	 VARTECH SYSTEMS		
CHECKED					
QA			WALL MOUNT, VT320VHB		
MFG					
APPROVED					
USED ON	MATERIAL:		SIZE: D TOLERANCES: .XX = .01 .XXX = .005	DWG NO: 482-0136	REV: 01
APPLICATION			FINISH:		SHEET 1 OF 1