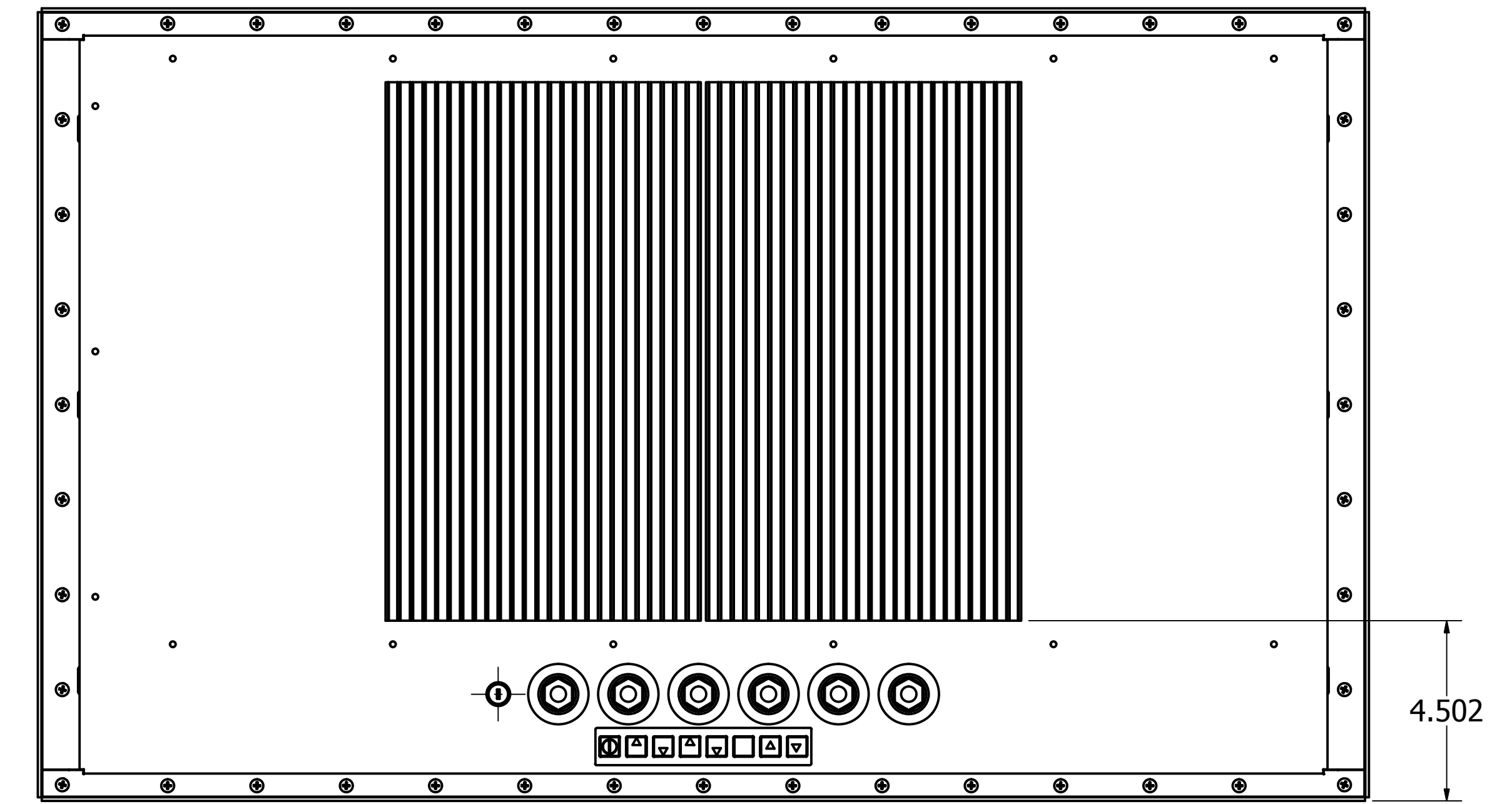
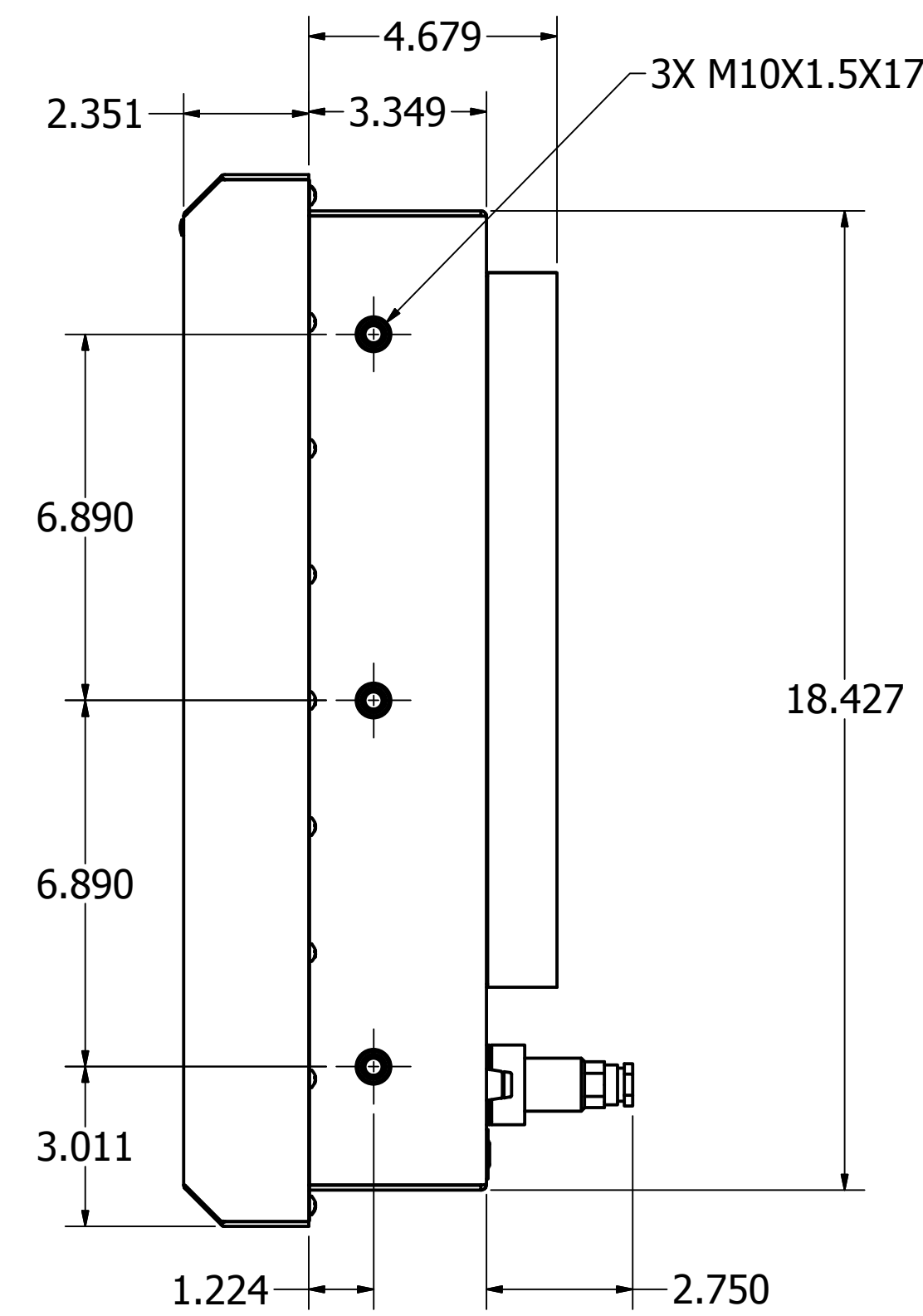
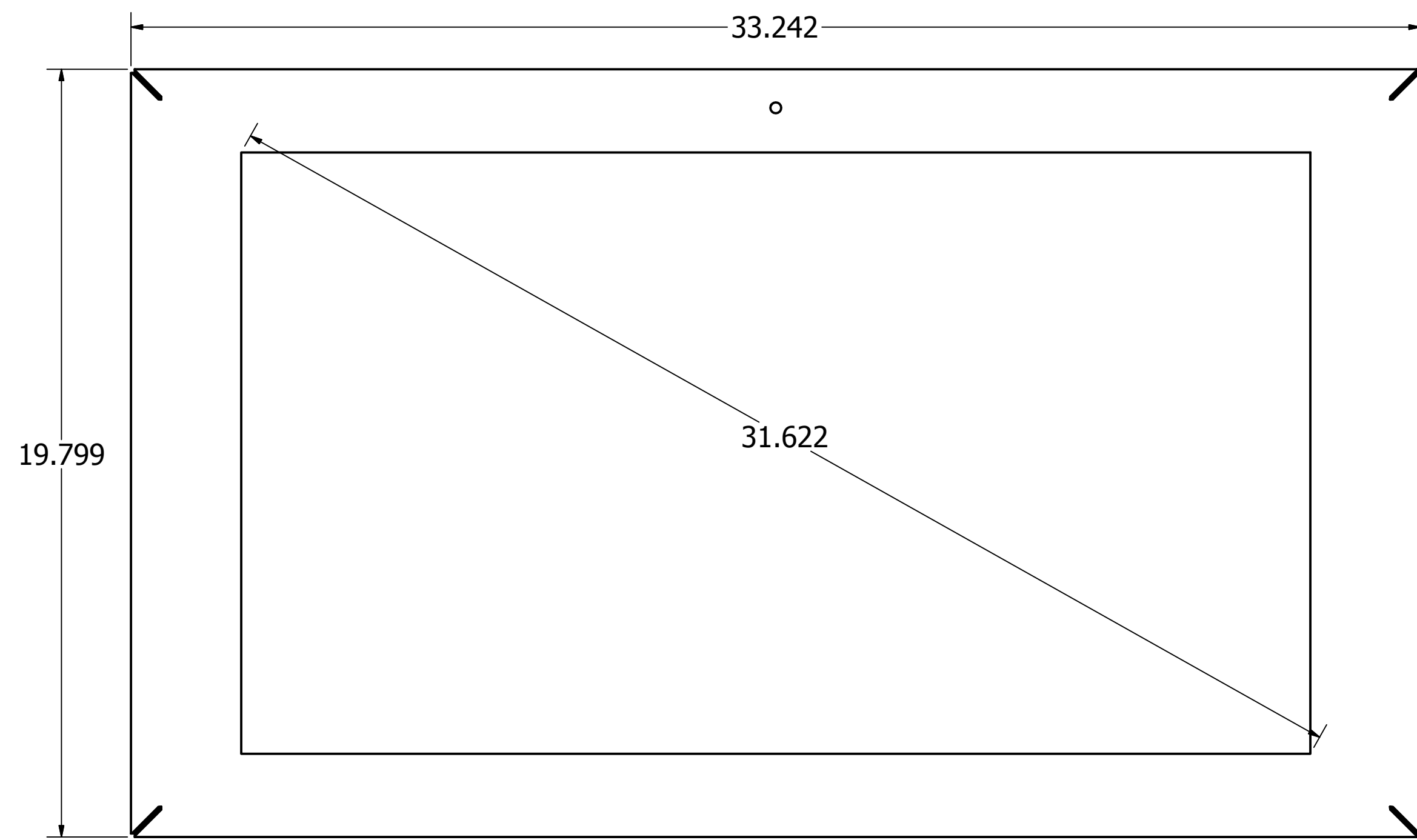
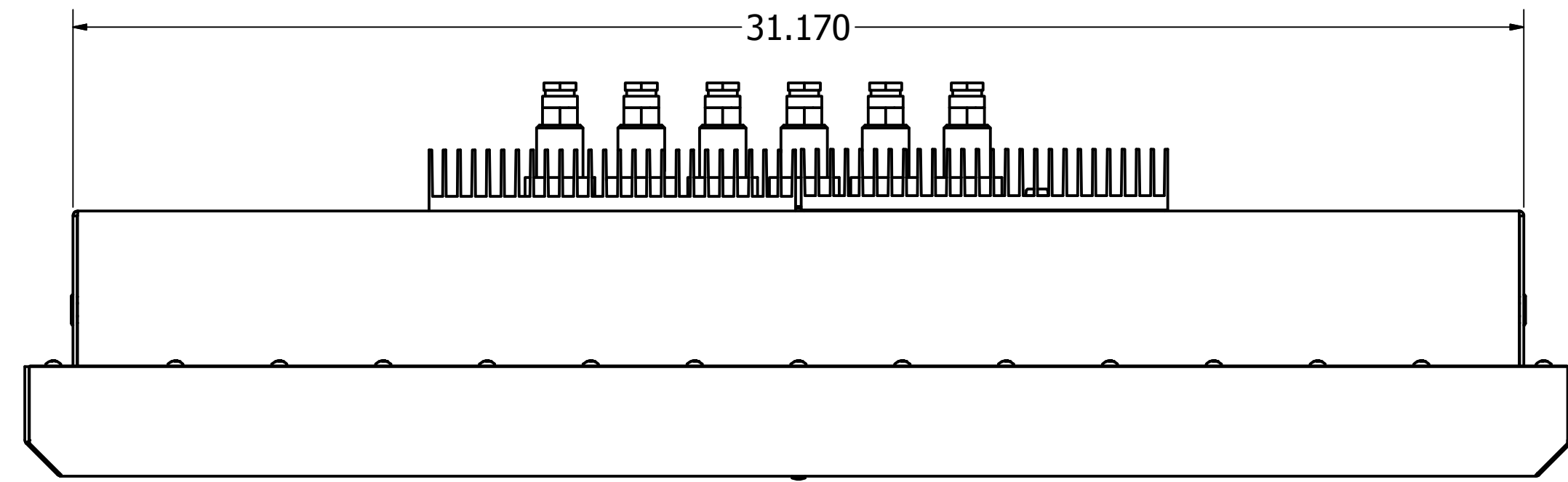


REVISION HISTORY			
REV	DESCRIPTION	APPROVED	DATE
1	INITIAL RELEASE	JAC	4/6/2011
2	ADDED MISSING DIMENSIONS	JAC	5/4/2012



DRAWN	ACARLTON	4/6/2011	 <b>VARTECH SYSTEMS</b>			
CHECKED						
QA						
MFG						
APPROVED			TITLE			
			<b>OUTLINE DRAWING</b> <b>VT320VHB</b>			
USED ON	MATERIAL:		SIZE	TOLERANCES:	DWG NO	REV
APPLICATION			D	.XX = .01 .XXX = .005	482-0131-00-01	2
			FINISH:	SHEET 1 OF 1		