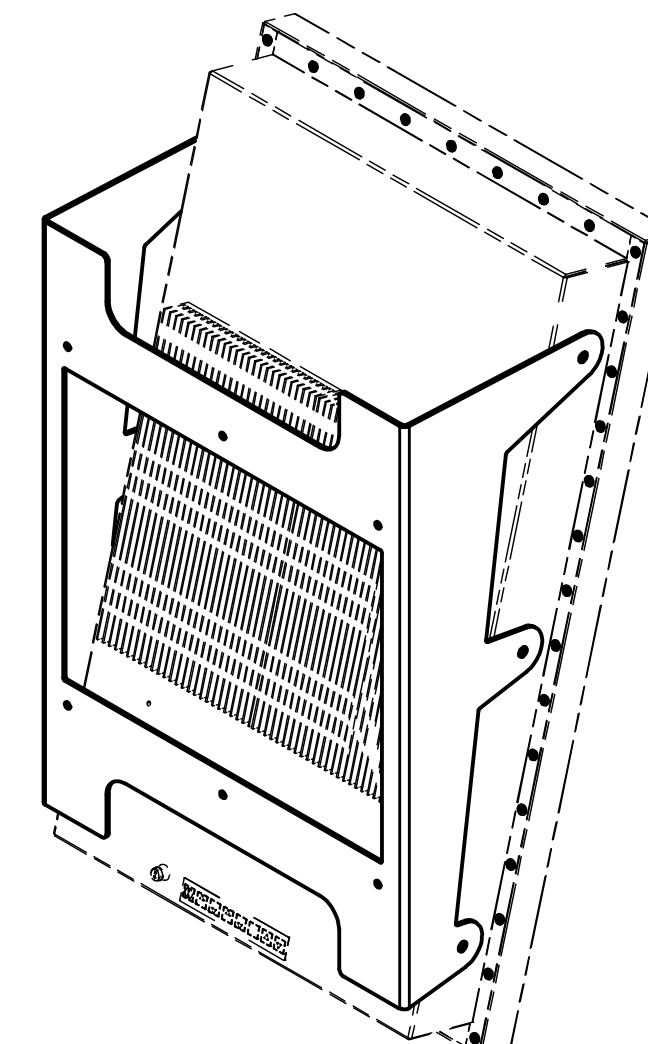
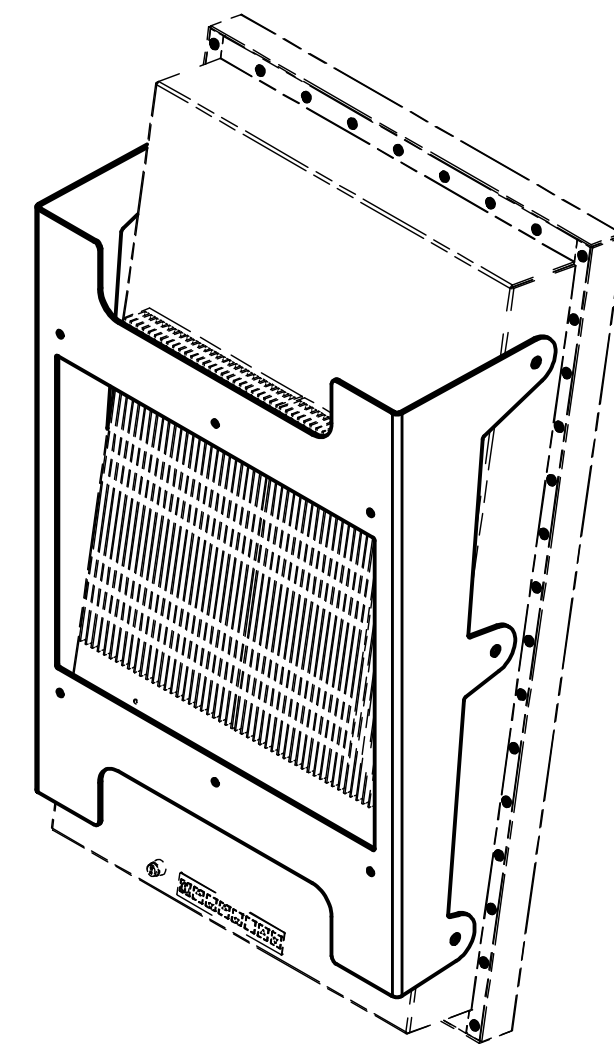
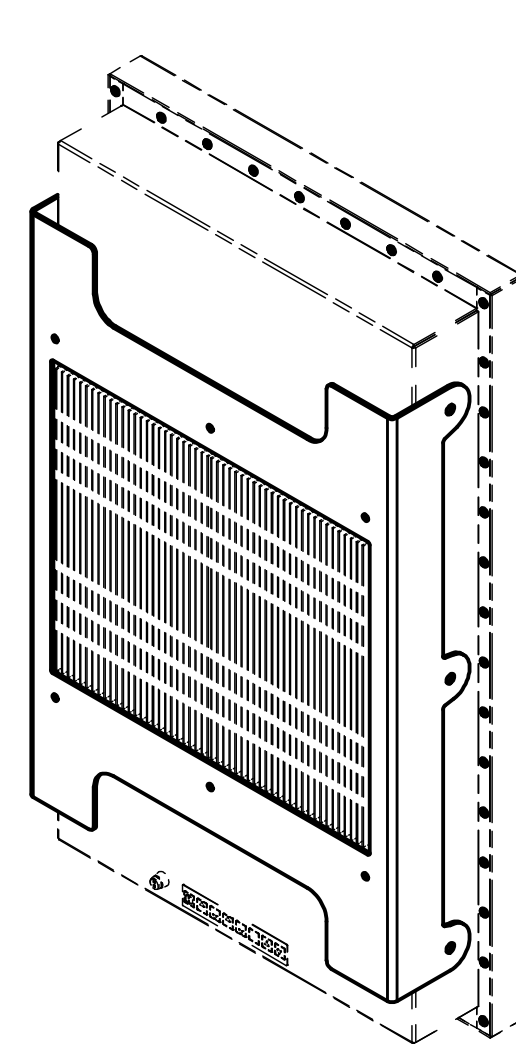
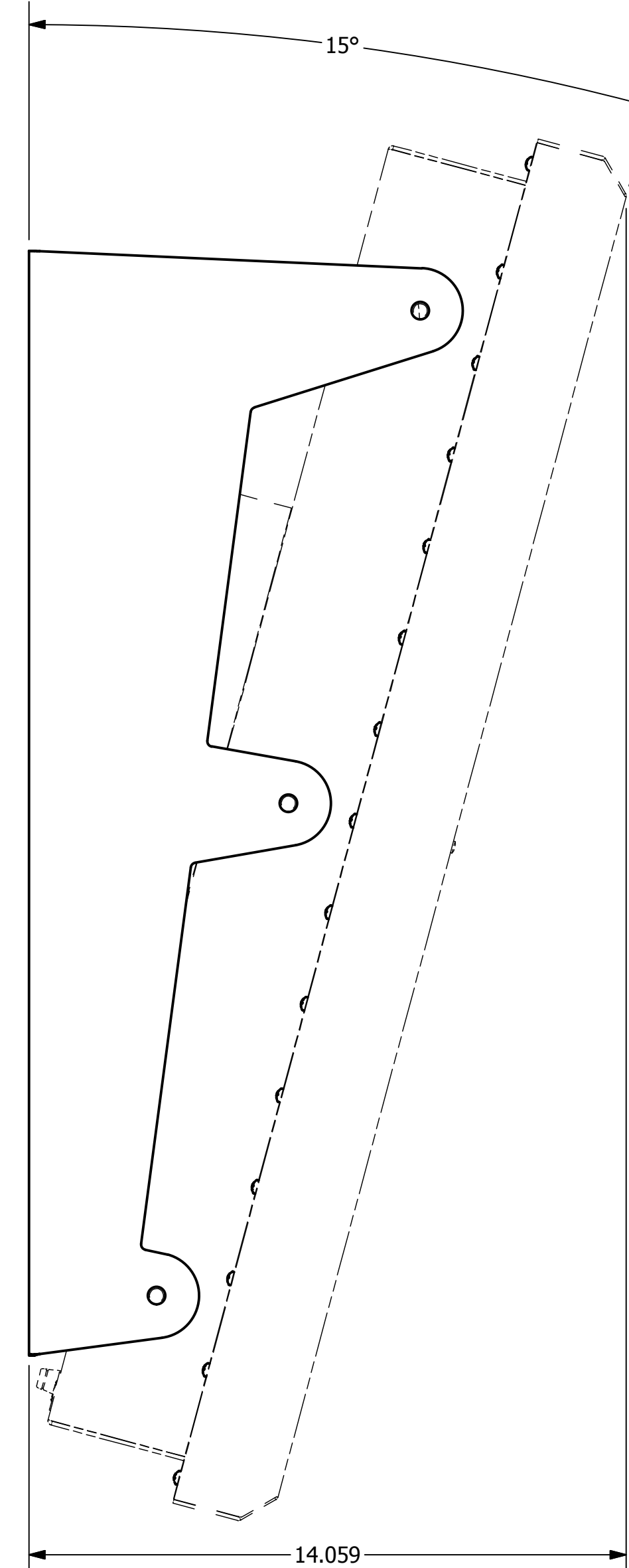
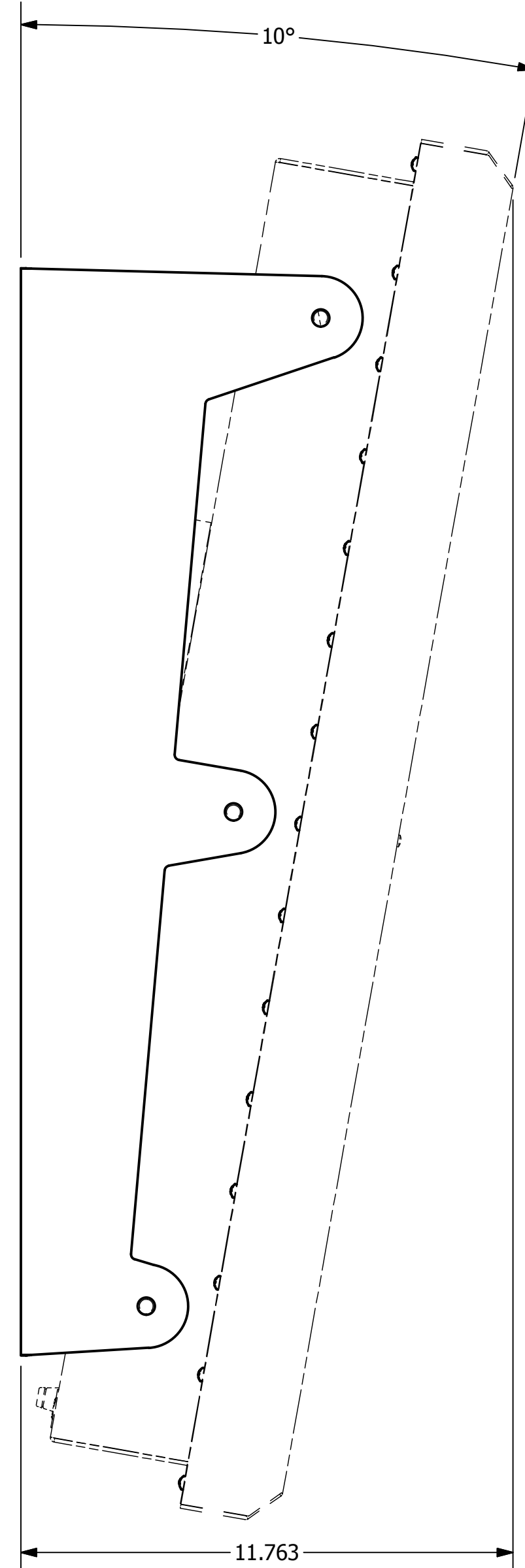
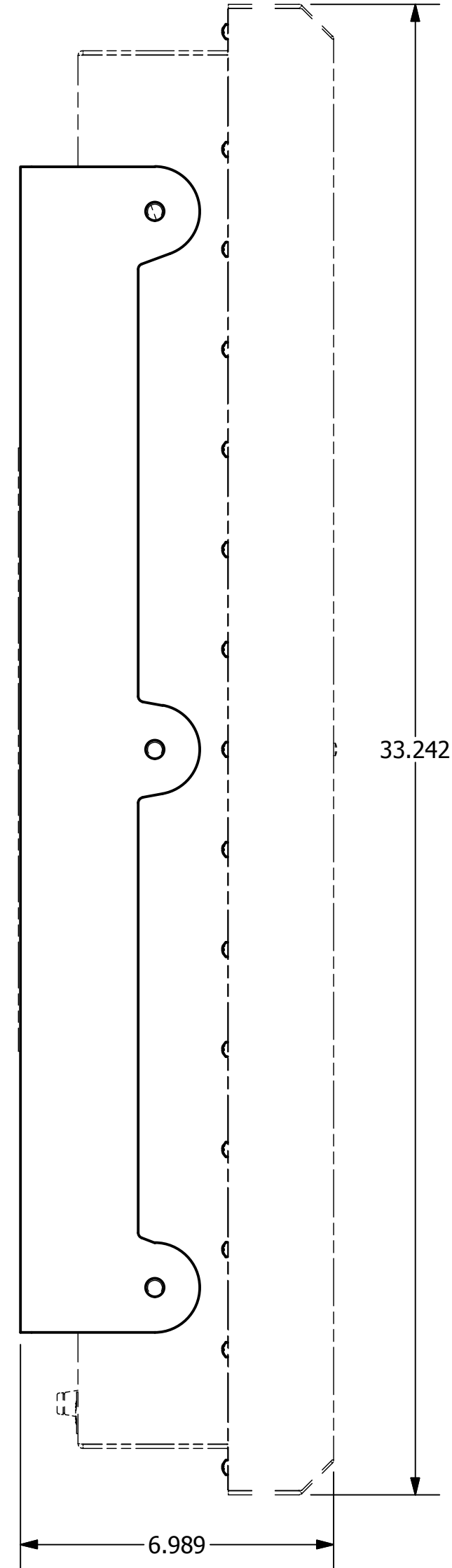
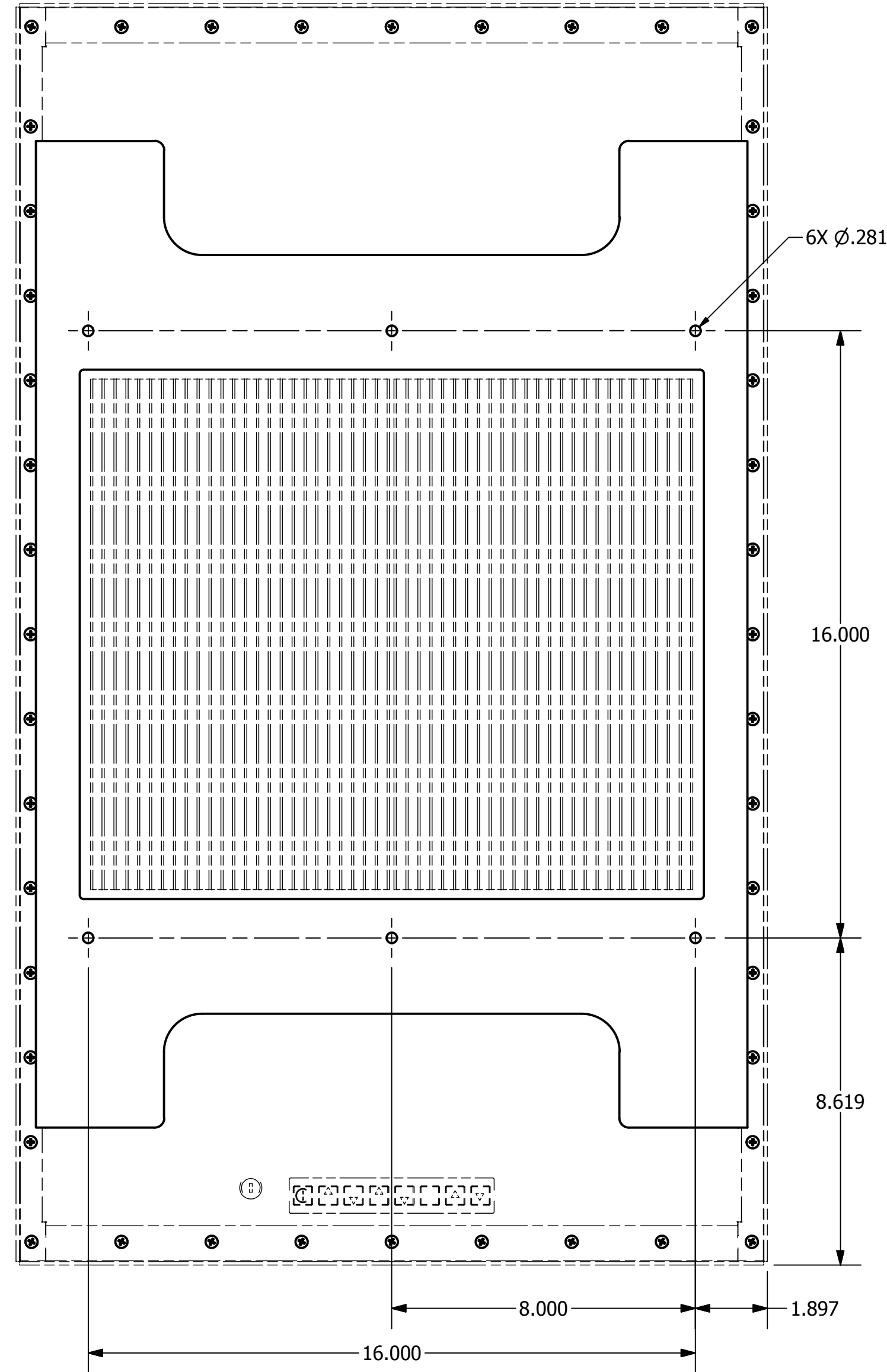



REVISION HISTORY			
REV	DESCRIPTION	APPROVED	DATE
1	INITIAL RELEASE	JAC	8/31/2011



DRAWN	ACARLTON	8/19/2011	 VARTECH SYSTEMS			
CHECKED						
QA			VT320VHB, PORTRAIT ANGLE OPTIONS			
MFG						
APPROVED			SIZE: D FINISH:	TOLERANCES: .XX = .01 .XXX = .005	DWG NO: 482-0138-00-01	REV: 1
USED ON	MATERIAL:		SHEET 1 OF 1			
APPLICATION						