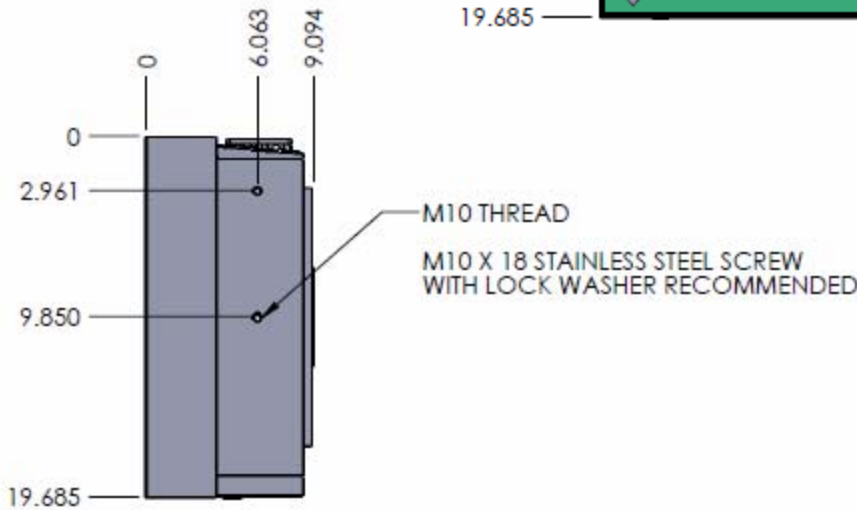
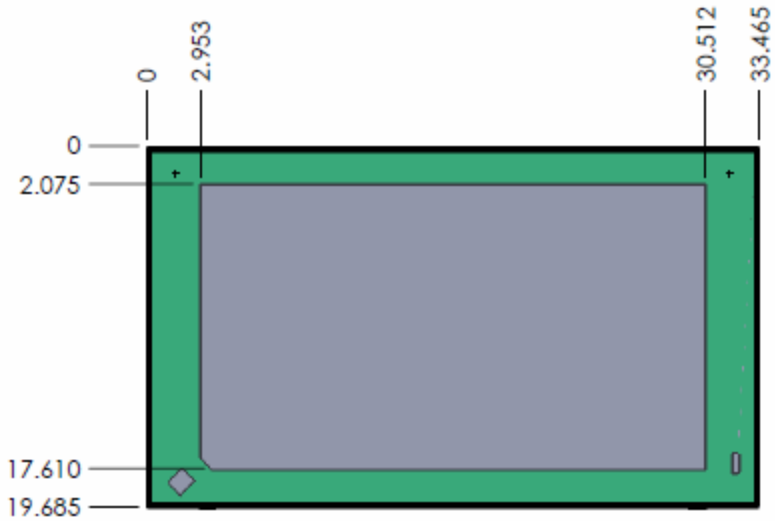
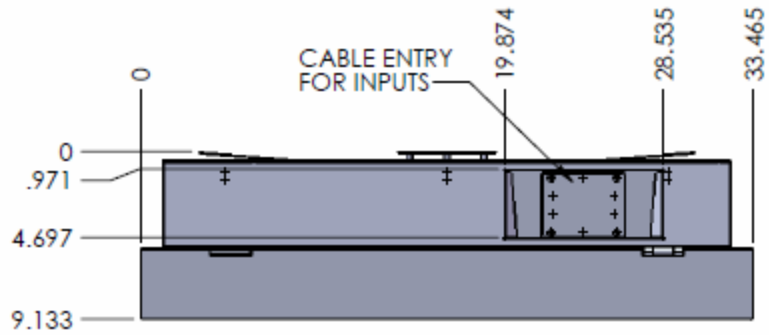




## VT320X Mechanical Drawing



*Optional Wall Mount System on Next Page*

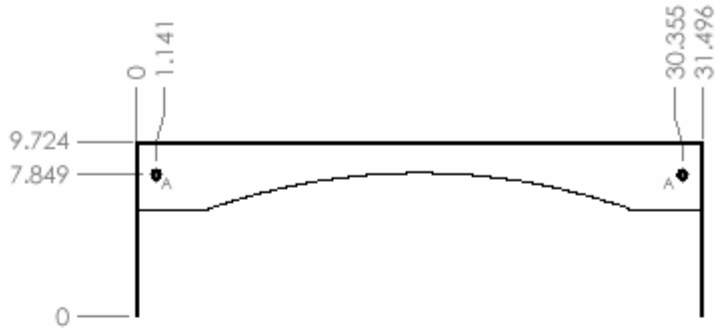
**HEADQUARTERS**  
11529 Sun Belt Ct.  
Baton Rouge, Louisiana 70809

**Phone** 800.223.8050  
**International** 001.225.298.0300  
**Fax** 225.297.2440

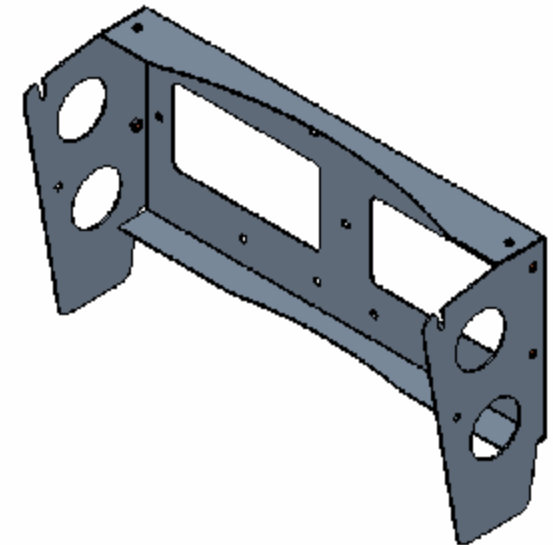
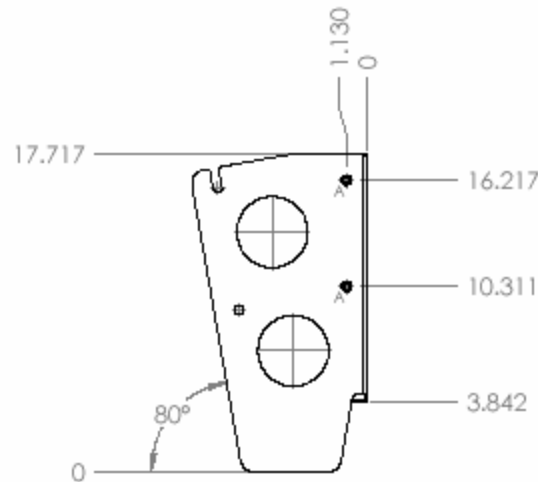
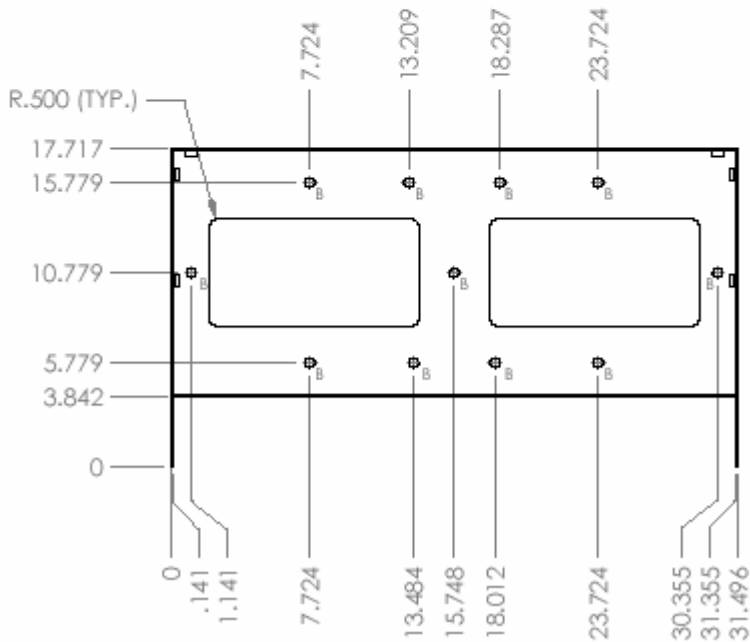
**E-mail** sales@vartechsystems.com  
**Website** www.vartechsystems.com

# Wall Mount for VT320X

Solutions for Demanding Applications



HOLE TABLE FOR SHEET 1			
TAG	SIZE	FASTENER	QUANTITY
A	Ø .551 THRU	S-M10-2	6
B	Ø .551 THRU	N/A	11



**HEADQUARTERS**  
 11529 Sun Belt Ct.  
 Baton Rouge, Louisiana 70809

**Phone** 800.223.8050  
**International** 001.225.298.0300  
**Fax** 225.297.2440

**E-mail** sales@vartechsystems.com  
**Website** www.vartechsystems.com