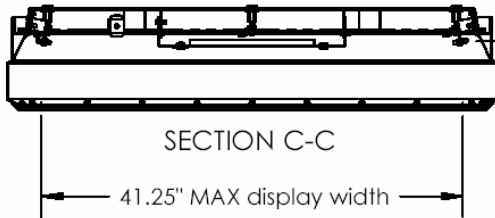
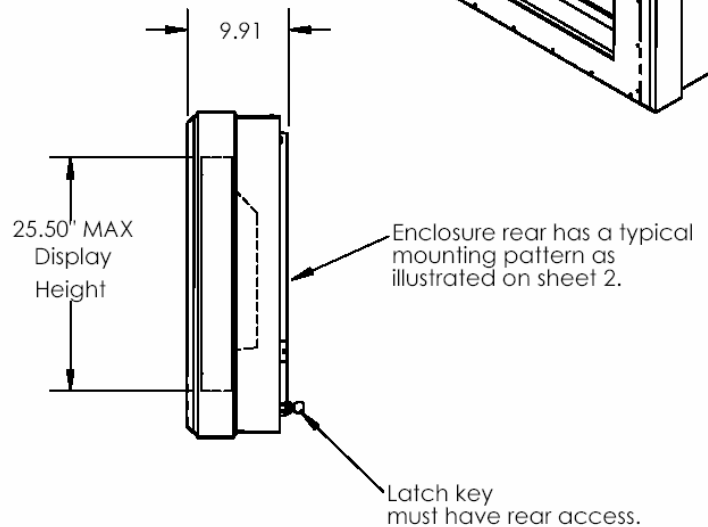
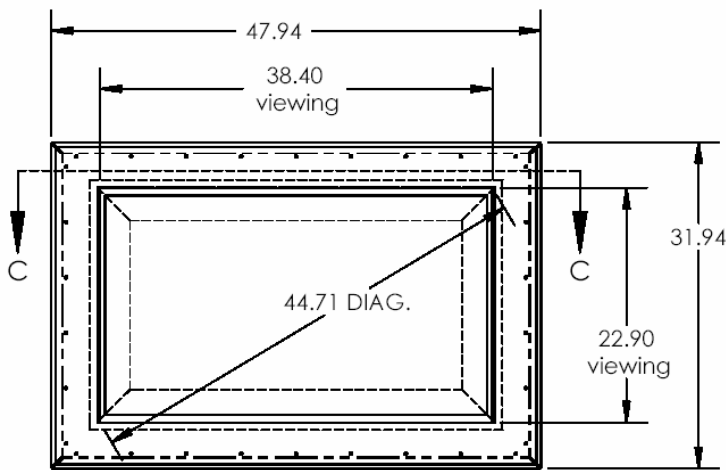
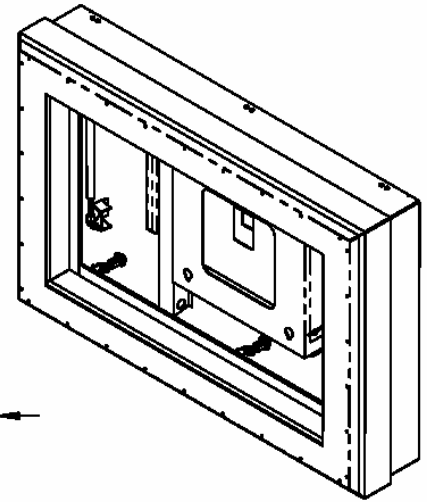




## VT420T Mechanical Drawing



5.95" MAX depth  
Display & Mount  
Approx. 4.50" Display Depth  
(To allow air circulation  
at front)



Description:  
Enclosure exterior is a brushed aluminum finish with corrosion resistant clear top coat. Viewing window is 1/4" thick polycarbonate. The cover is secured with 3 tubular keyed compression latches, accessible from the rear.

**HEADQUARTERS**  
11529 Sun Belt Ct.  
Baton Rouge, Louisiana 70809

**Phone** 800.223.8050  
**International** 001.225.298.0300  
**Fax** 225.297.2440

**E-mail** sales@vartechsystems.com  
**Website** www.vartechsystems.com