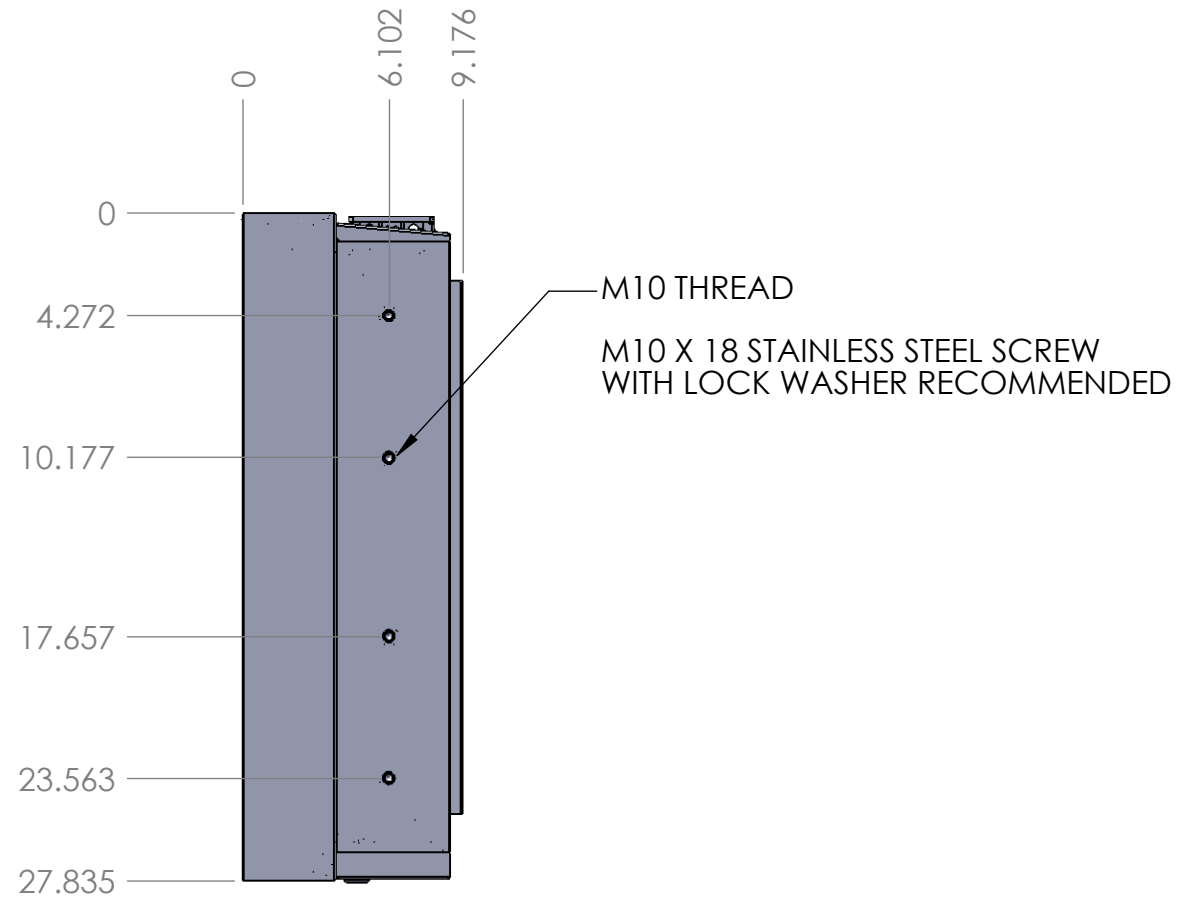
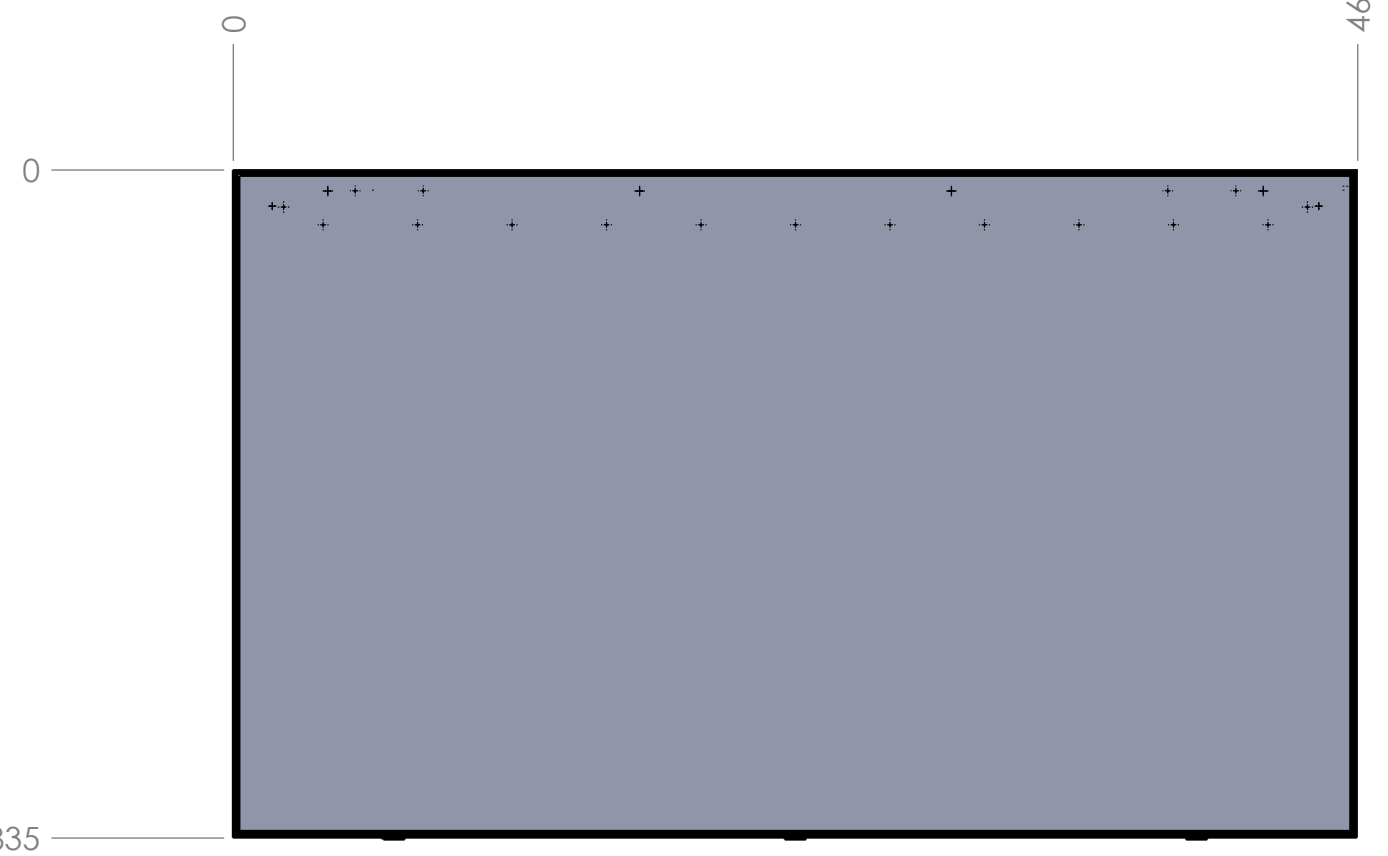
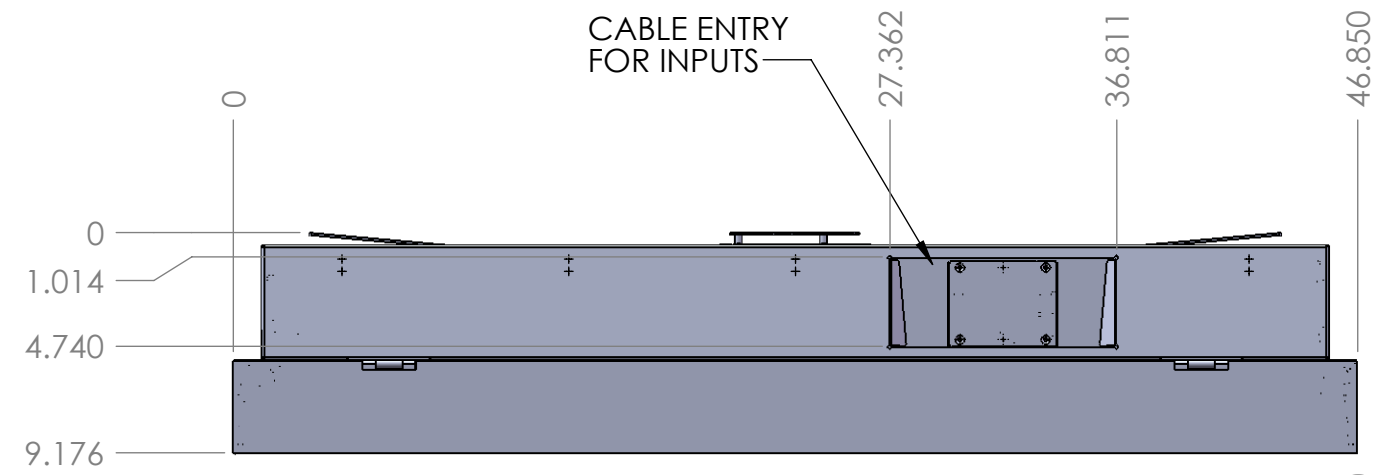


8 7 6 5 4 3 2 1

REVISIONS				
REV.	ECN	DESCRIPTION	DATE	DRAWN BY

D
C
B
A

D
C
B
A



DIMENSIONS ARE IN INCHES ONE PLACE DECIMAL ±.030 TWO PLACE DECIMAL ±.015 THREE PLACE DECIMAL ±	<h1>VT460X</h1>		

HEADQUARTERS
11529 Sun Belt Ct.
Baton Rouge, Louisiana 70809

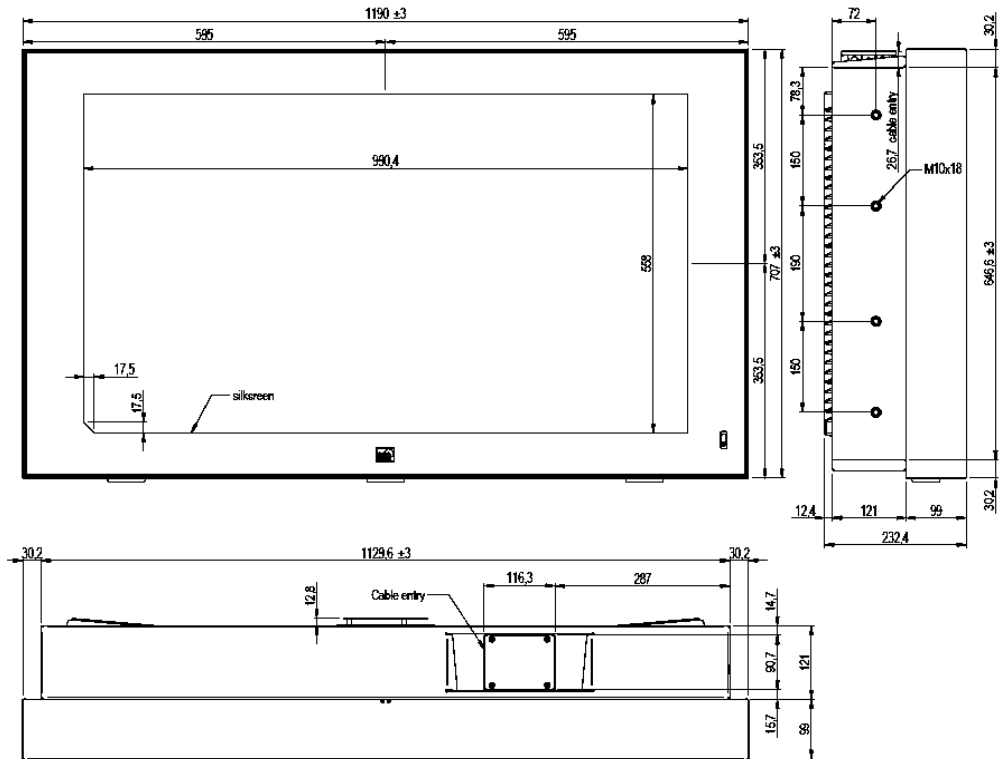
Phone 800.223.8050
International 001.225.298.0300
Fax 225.297.2440

E-mail sales@vartechsystems.com
Website www.vartechsystems.com

PROPRIETARY AND CONFIDENTIAL
THE INFORMATION CONTAINED IN THIS DRAWING IS THE SOLE PROPERTY OF VARTECH SYSTEMS. ANY REPRODUCTION IN PART OR AS A WHOLE WITHOUT THE WRITTEN PERMISSION OF VARTECH SYSTEMS IS PROHIBITED.

8 7 6 5 4 3 2 1

46" Dimensions and fixing points :



Weight: 46" - 210 Lbs (95 Kg)